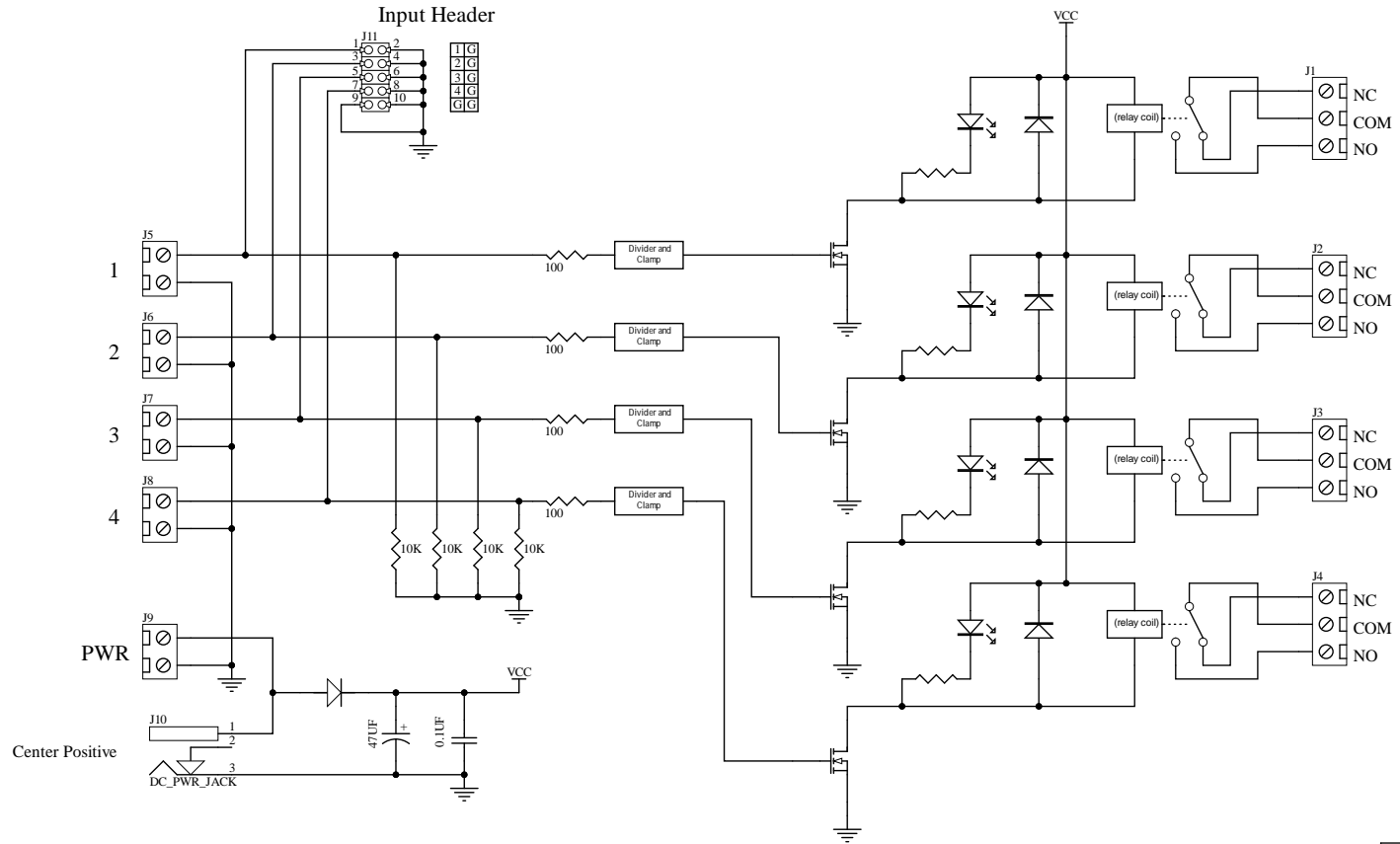


# RLY204 Schematic

(This schematic accurately represents the circuit, but some individual components are combined in a single package on the product PCB)



RLY204 Rev B  
4-RELAY BOARD  
WINFORD ENGINEERING  
www.winford.com