

4

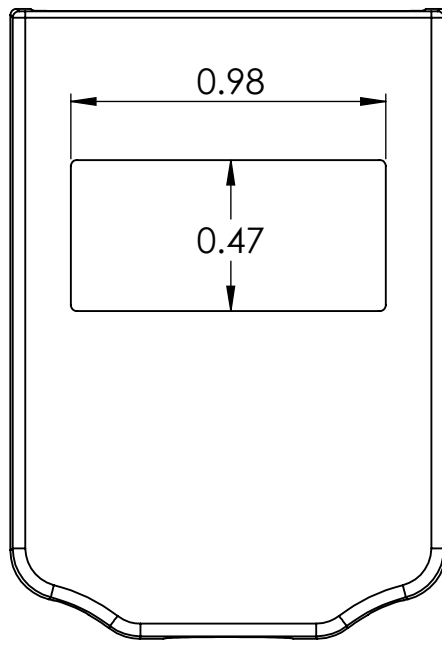
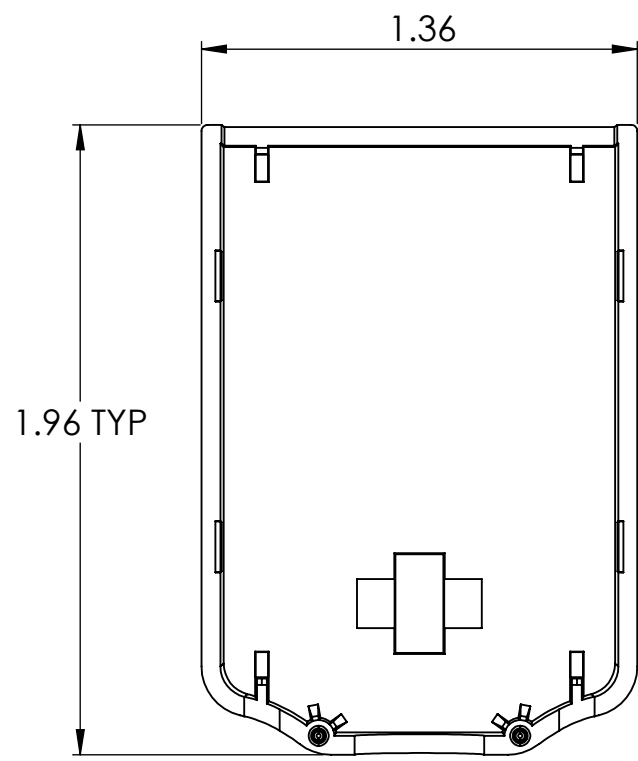
3

2

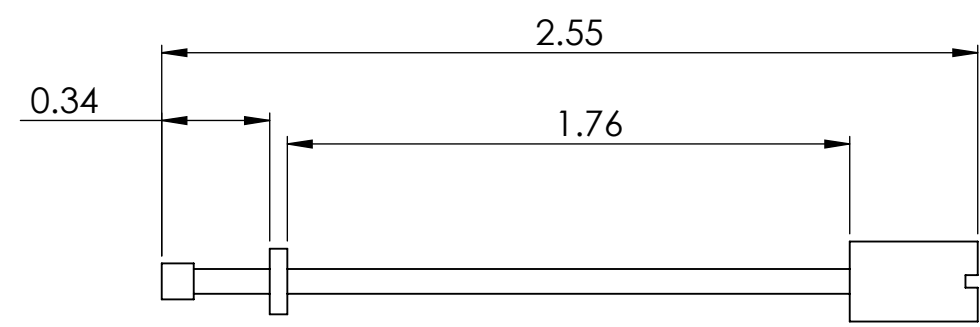
1

B

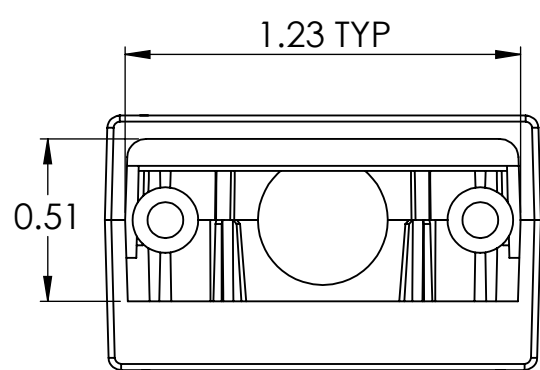
B



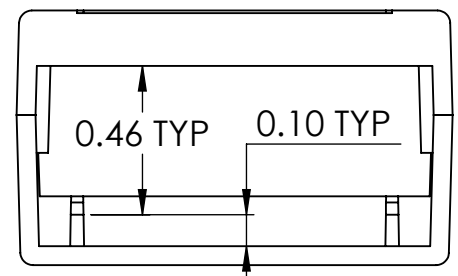
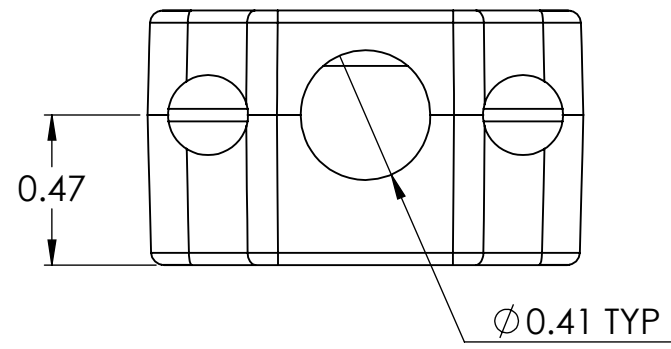
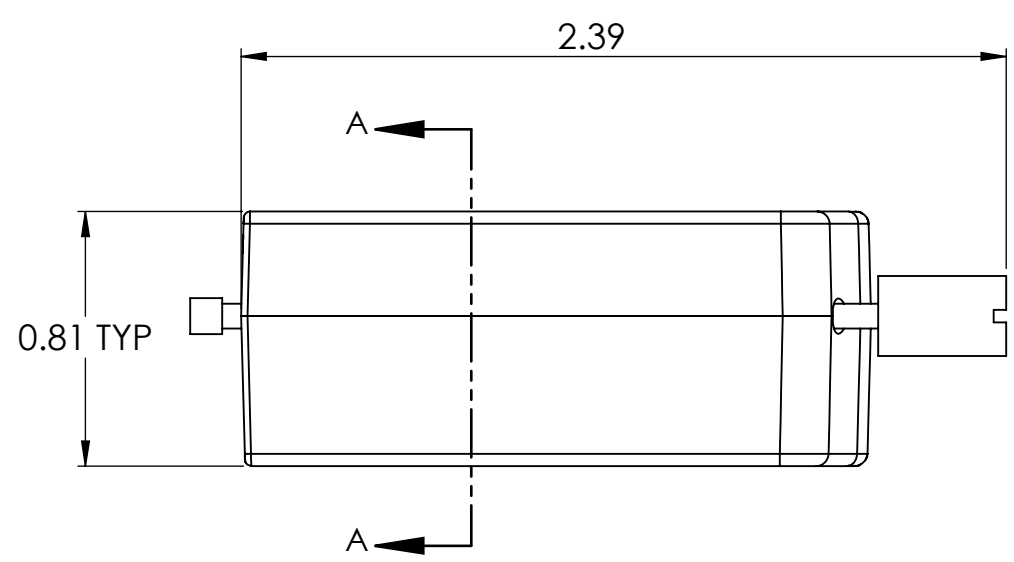
#4-40 Thumbscrew, 2.55"
(Qty: 2)



Front Assembly



Back Assembly



A


A

4

3

2

1

DIM: INCH	DATE: 03/31/2026	RoHS COMPLIANT: Yes	DESCRIPTION: Easy Adapters Enclosure Kit for DB9 Adapters	
 WINFORD ENGINEERING, LLC 4561 GARFIELD ROAD AUBURN, MI 48611		PART NUMBER (S)	PART REVISION	
www.winford.com		989-671-9721	XDB9-TB-H1	A