

4

3

2

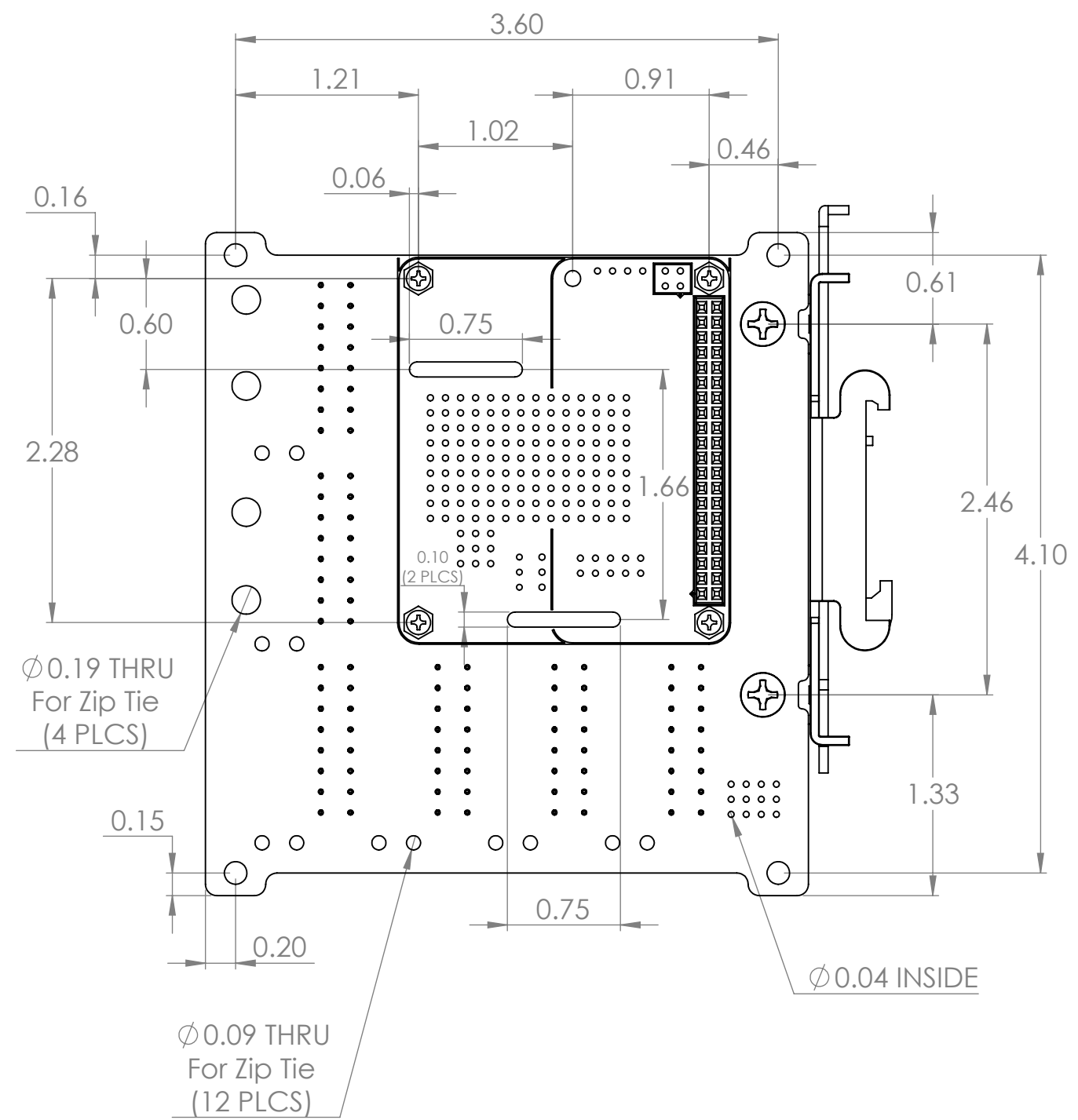
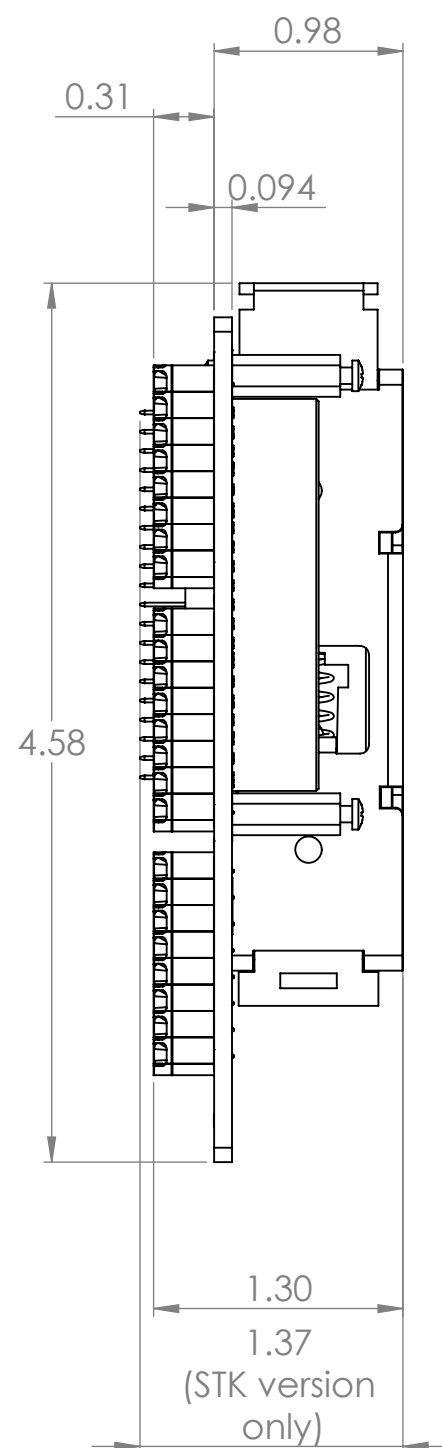
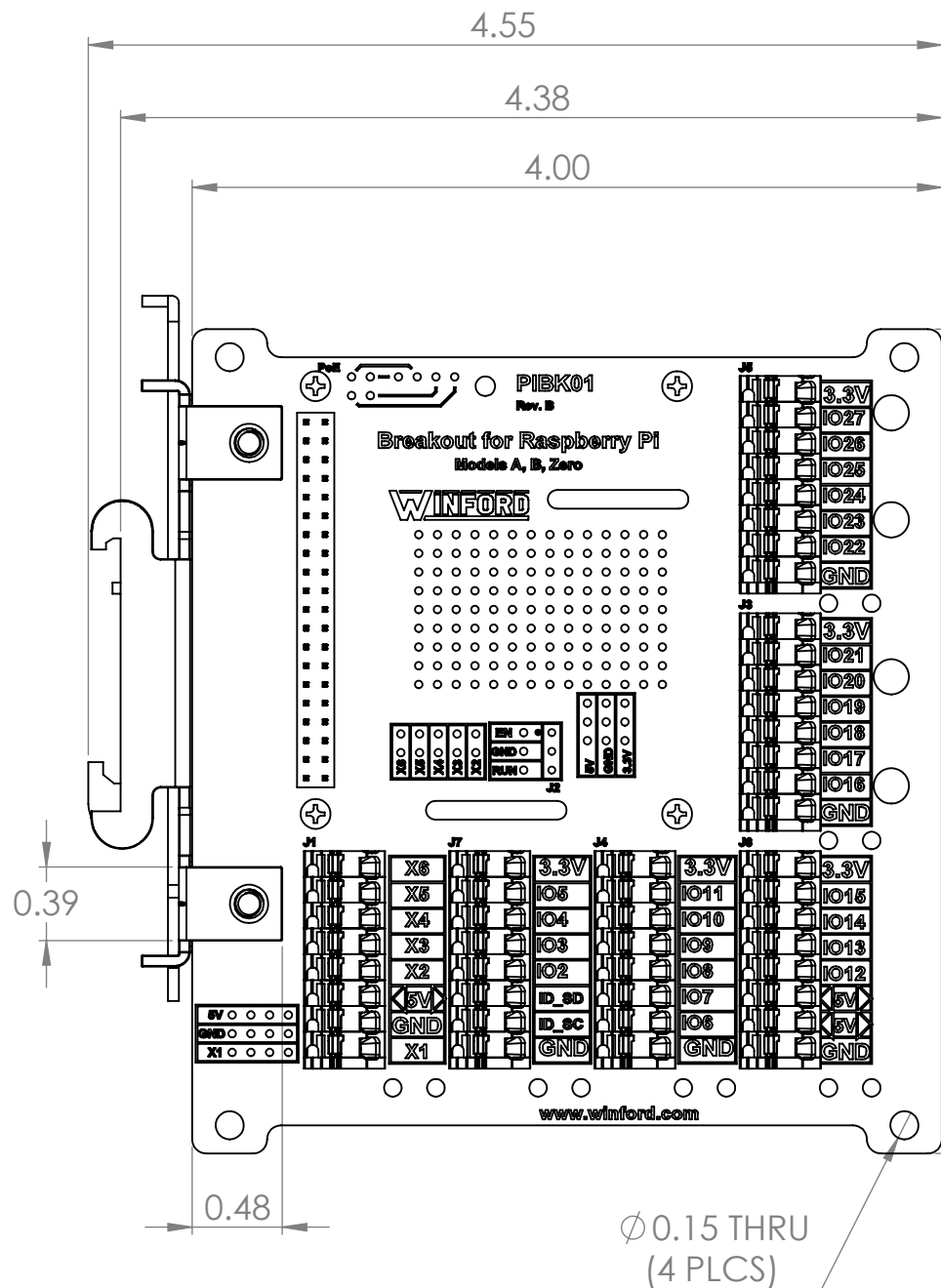
1


B

B

A

A



DIM: INCH	DATE: 06/17/2026	RoHS COMPLIANT: Yes	DESCRIPTION:	
 WINFORD ENGINEERING, LLC 4561 GARFIELD ROAD AUBURN, MI 48611			DIN-Mount Breakout for Raspberry Pi	
			PART NUMBER (S)	PART REVISION
www.winford.com			989-671-9721	PIBK01x-xSTK-DIN
				B

4

3

2

1