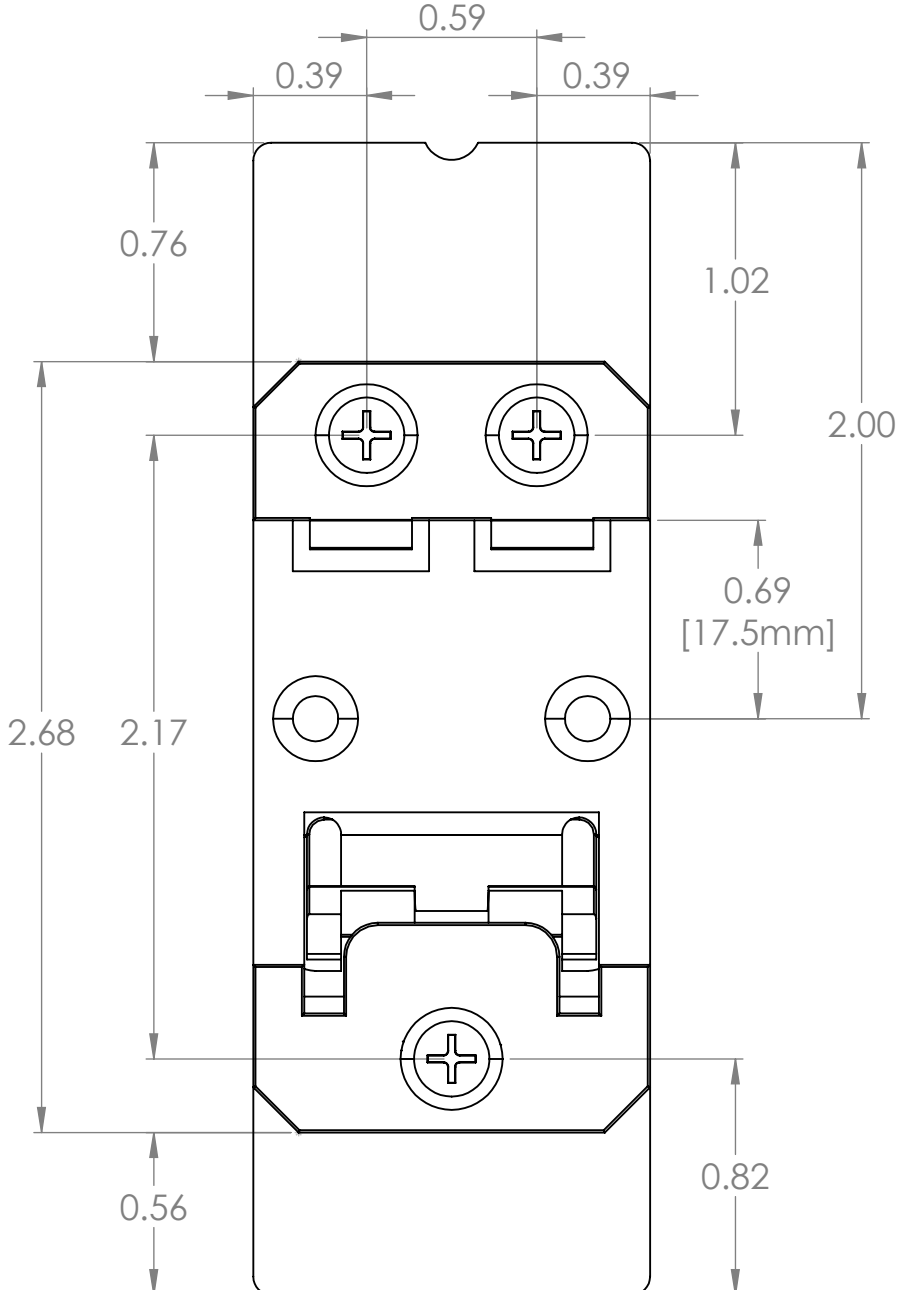
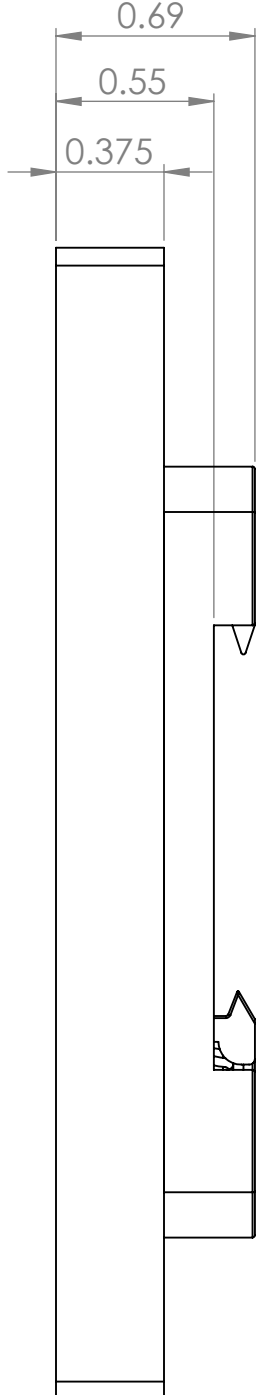
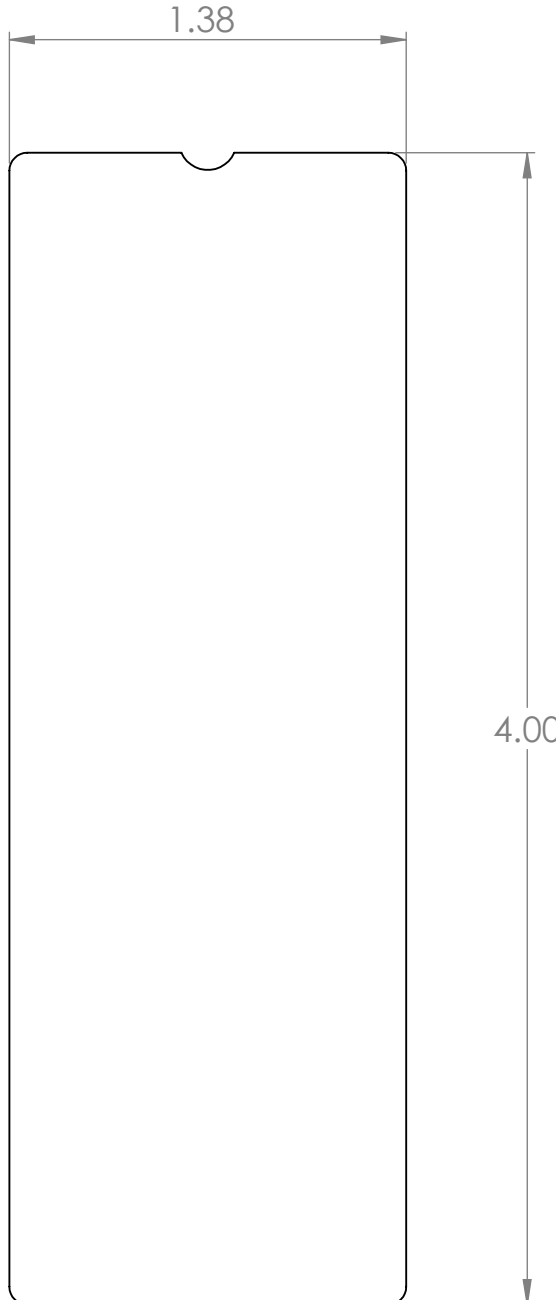


4

3

2

1



B

B

A


A

4

3

2

1

DIM: INCH	DATE: 12/08/2022	RoHS COMPLIANT: Yes	DESCRIPTION:
 WINFORD ENGINEERING, LLC 4561 GARFIELD ROAD AUBURN, MI 48611			Polycarbonate DIN Mounting Plate 1.38"x4"
www.winford.com		989-671-9721	PART NUMBER (S) DINPQ09-1440A
			PART REVISION A