

4

3

2

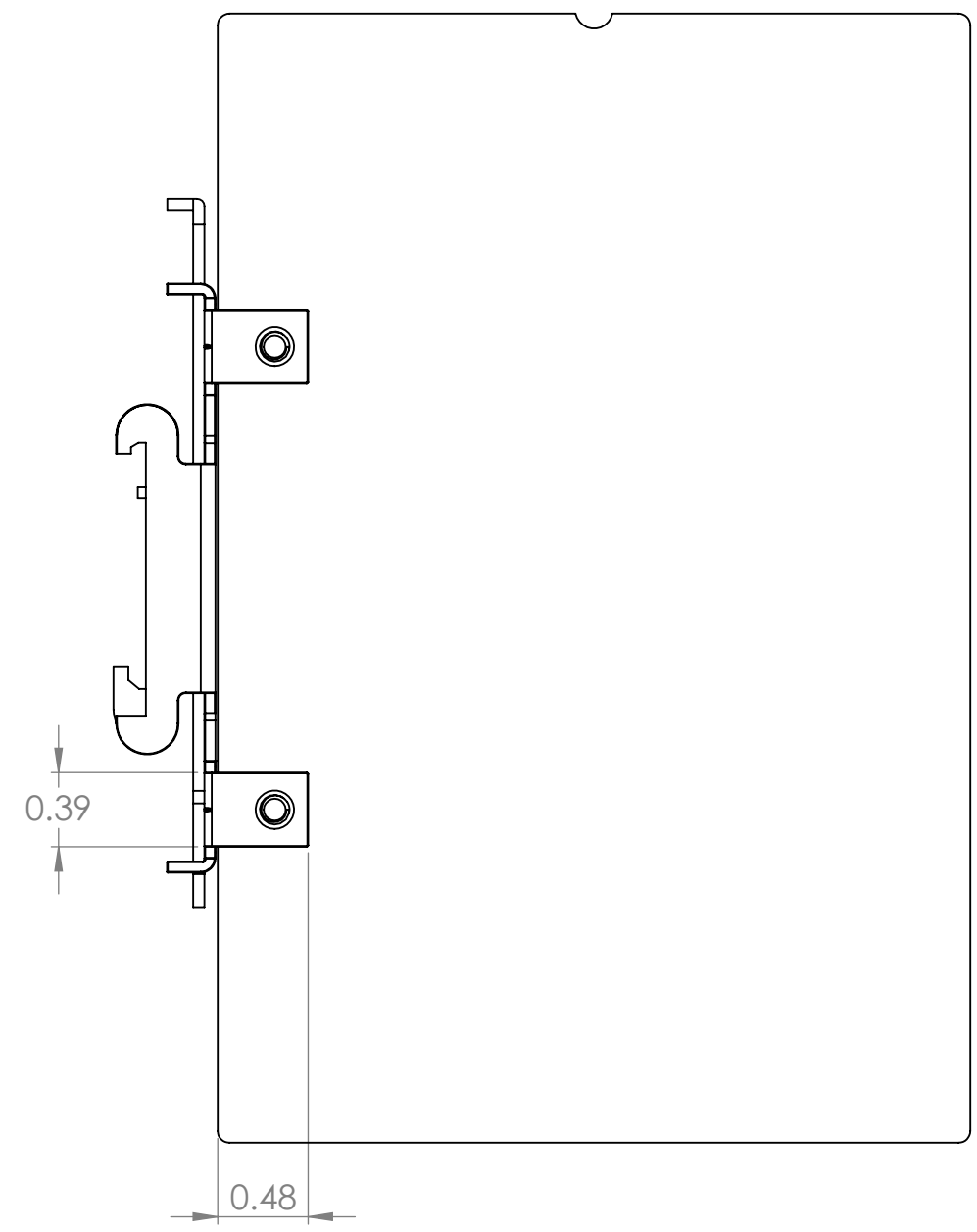
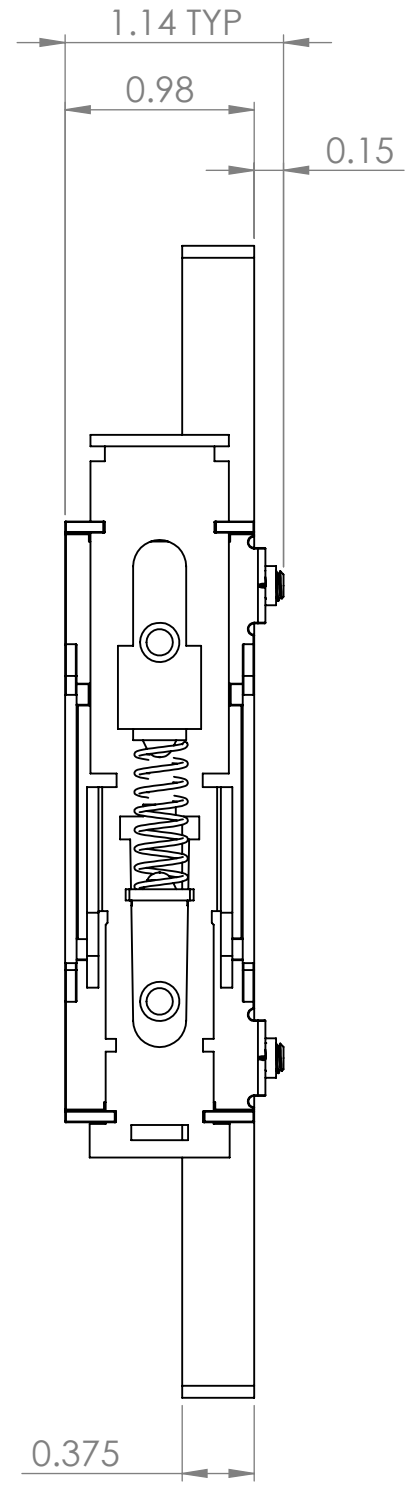
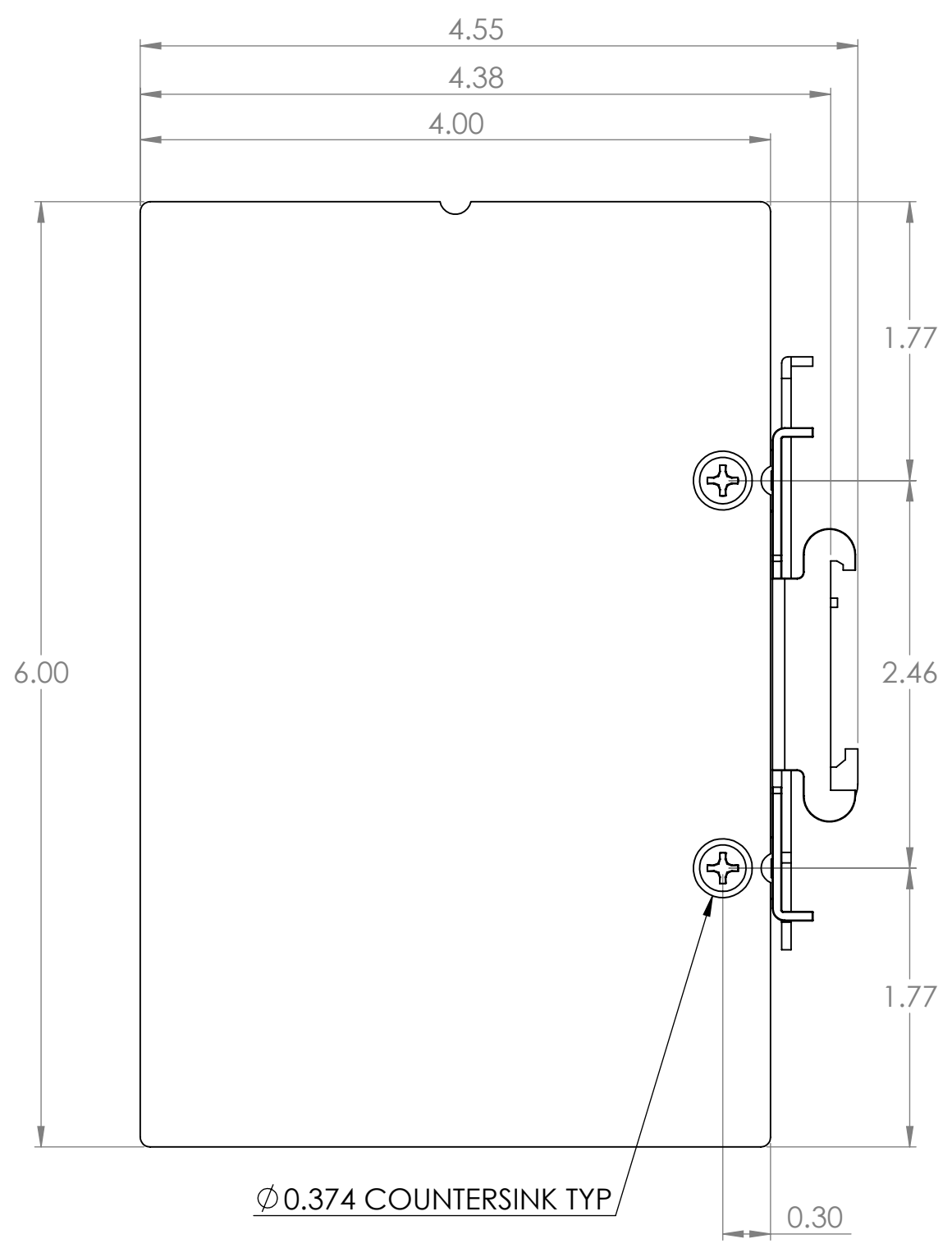
1


B

B

A

A



DIM: INCH	DATE: 01/29/2024	RoHS COMPLIANT: Yes	DESCRIPTION: Polycarbonate DIN Rail Mounting Plate 4"x6"	
 WINFORD ENGINEERING, LLC 4561 GARFIELD ROAD AUBURN, MI 48611			PART NUMBER (S) DINPQ03-4060A	PART REVISION A
www.winford.com		989-671-9721		

4

3

2

1