

4

3

2

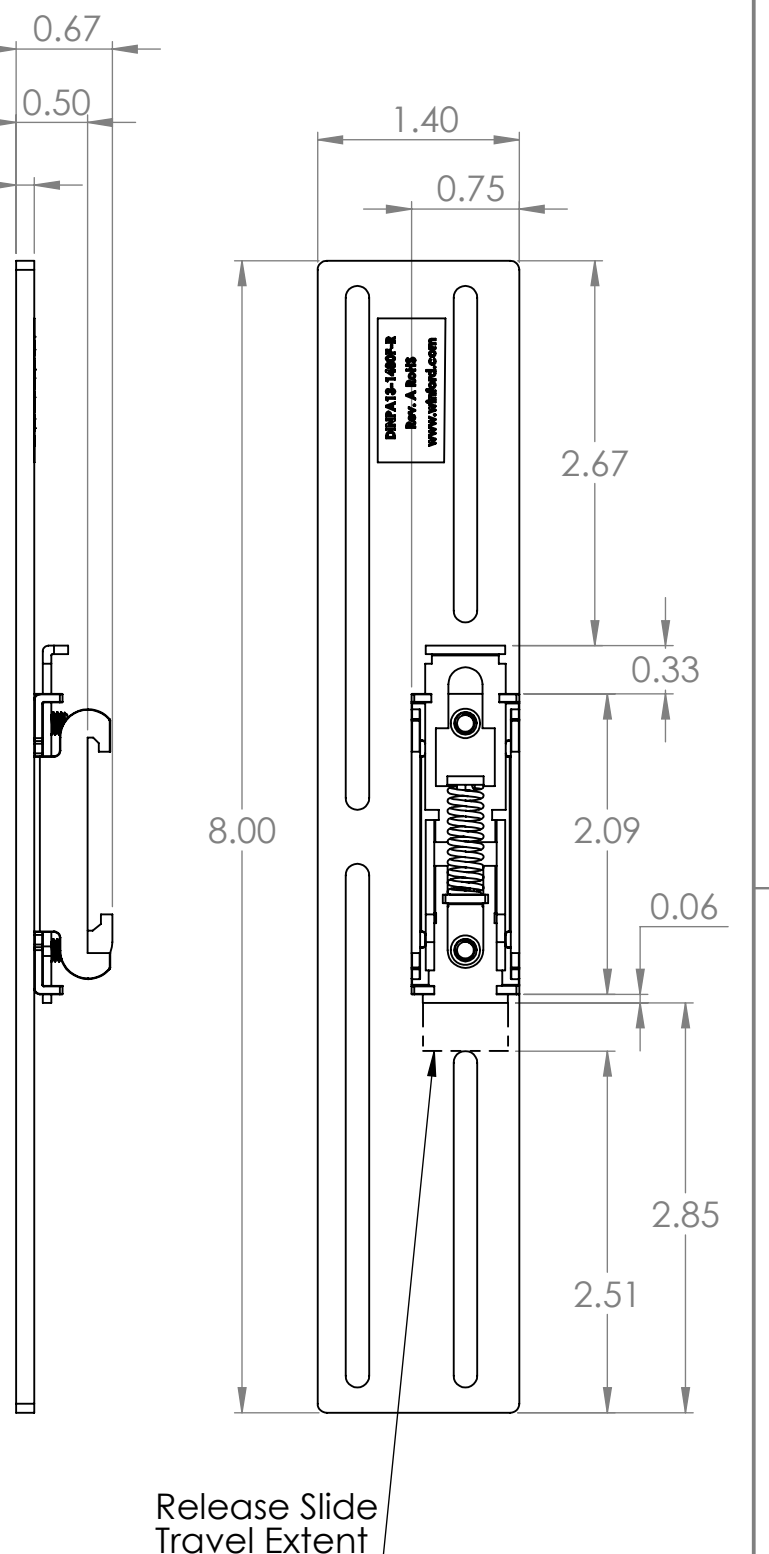
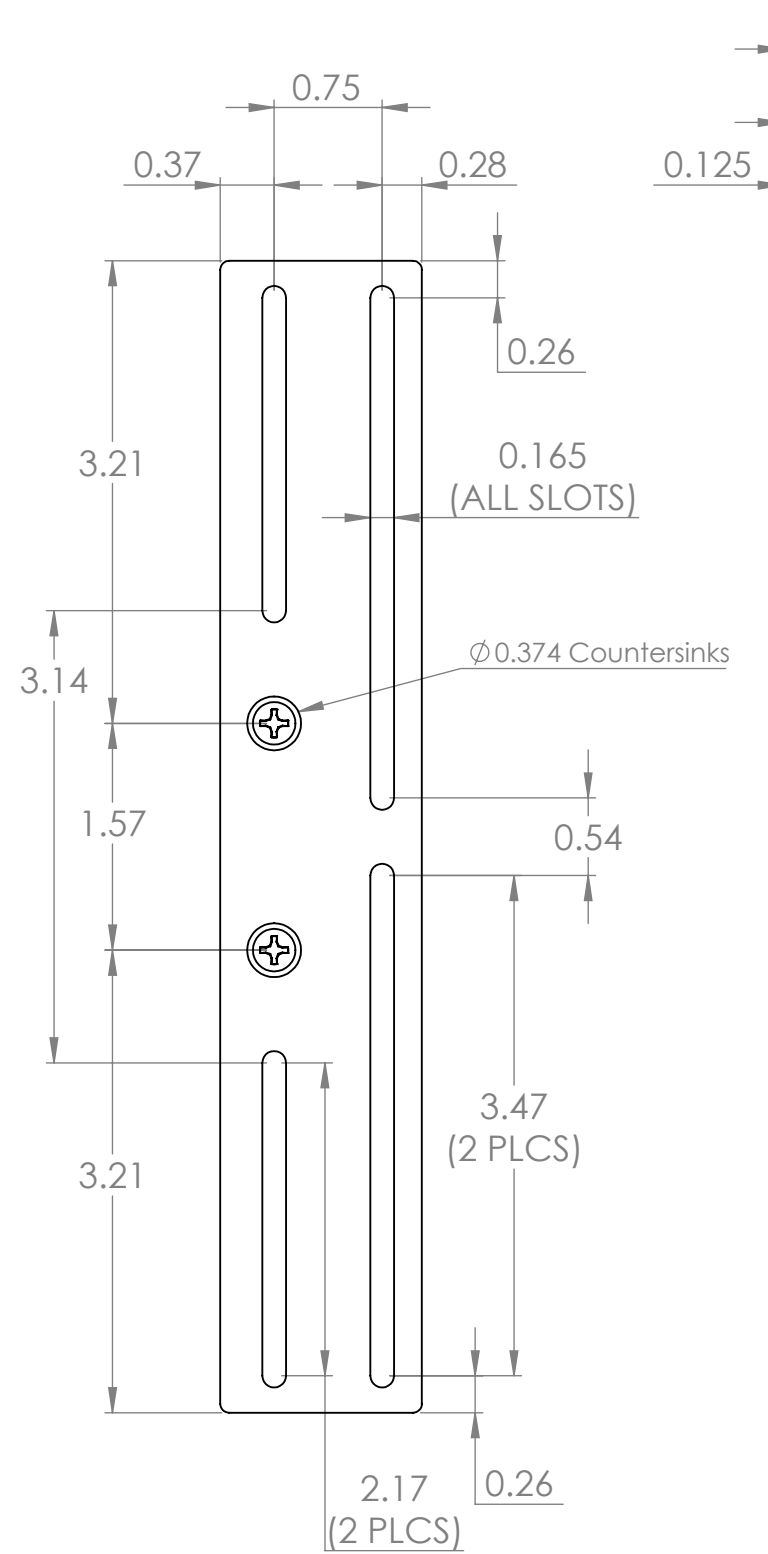
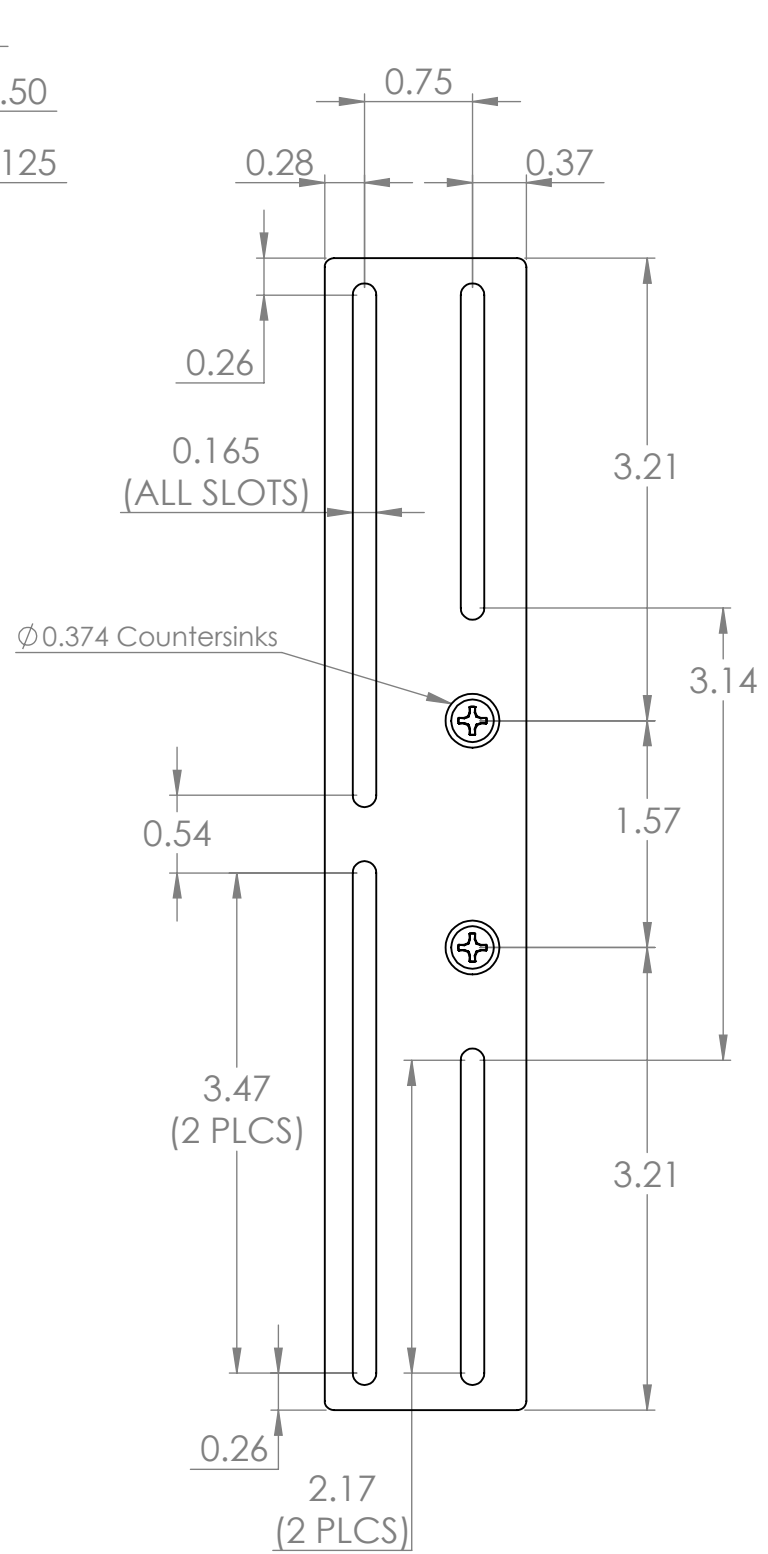
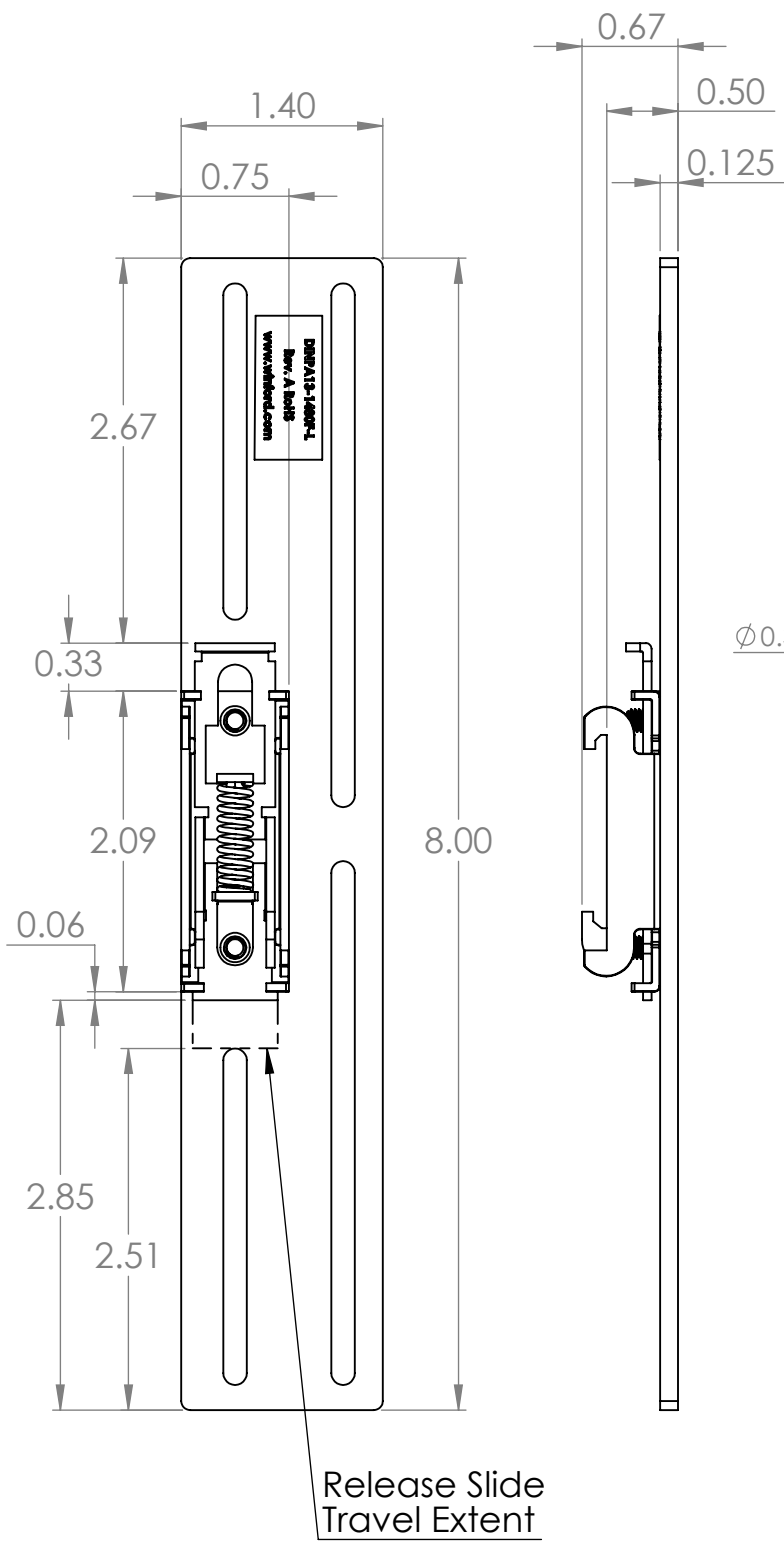
1

B

B

A

A



DESCRIPTION: Aluminum DIN Mounting Plate, 1.4" x 8.0", Plate on Left	
PART REVISION A	PART NUMBER (S) DINPA13-1480F-L

RoHS COMPLIANT: Yes	DATE: 02/16/2026	DIM: INCH
WINFORD ENGINEERING, LLC 4561 GARFIELD ROAD AUBURN, MI 48611		
989-671-9721		www.winford.com

DIM: INCH	DATE: 02/16/2026	RoHS COMPLIANT: Yes
WINFORD ENGINEERING, LLC 4561 GARFIELD ROAD AUBURN, MI 48611		
www.winford.com		989-671-9721

DESCRIPTION: Aluminum DIN Mounting Plate, 1.4" x 8.0", Plate on Right	
PART NUMBER (S) DINPA13-1480F-R	PART REVISION A

4

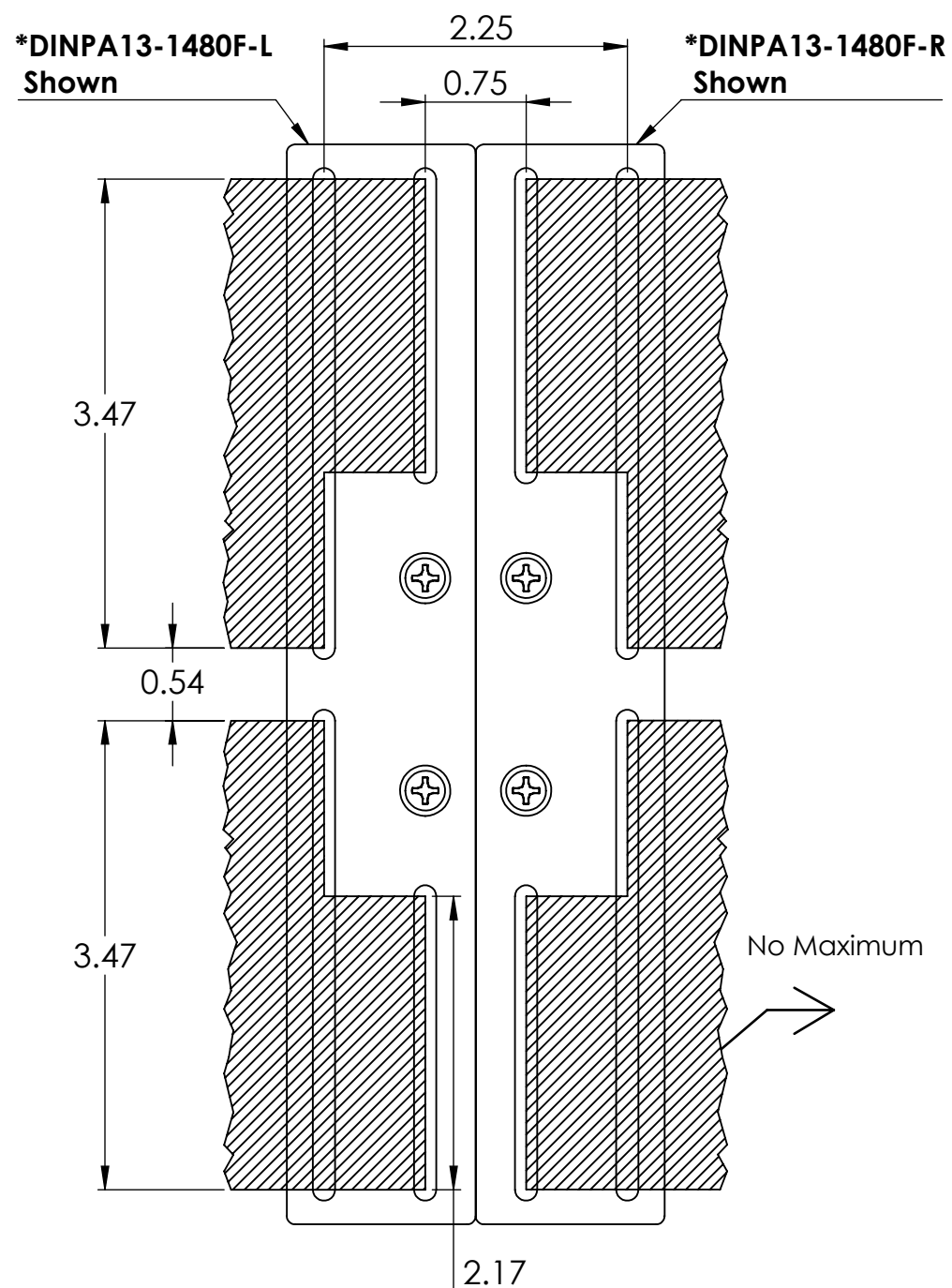
3

2

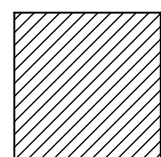
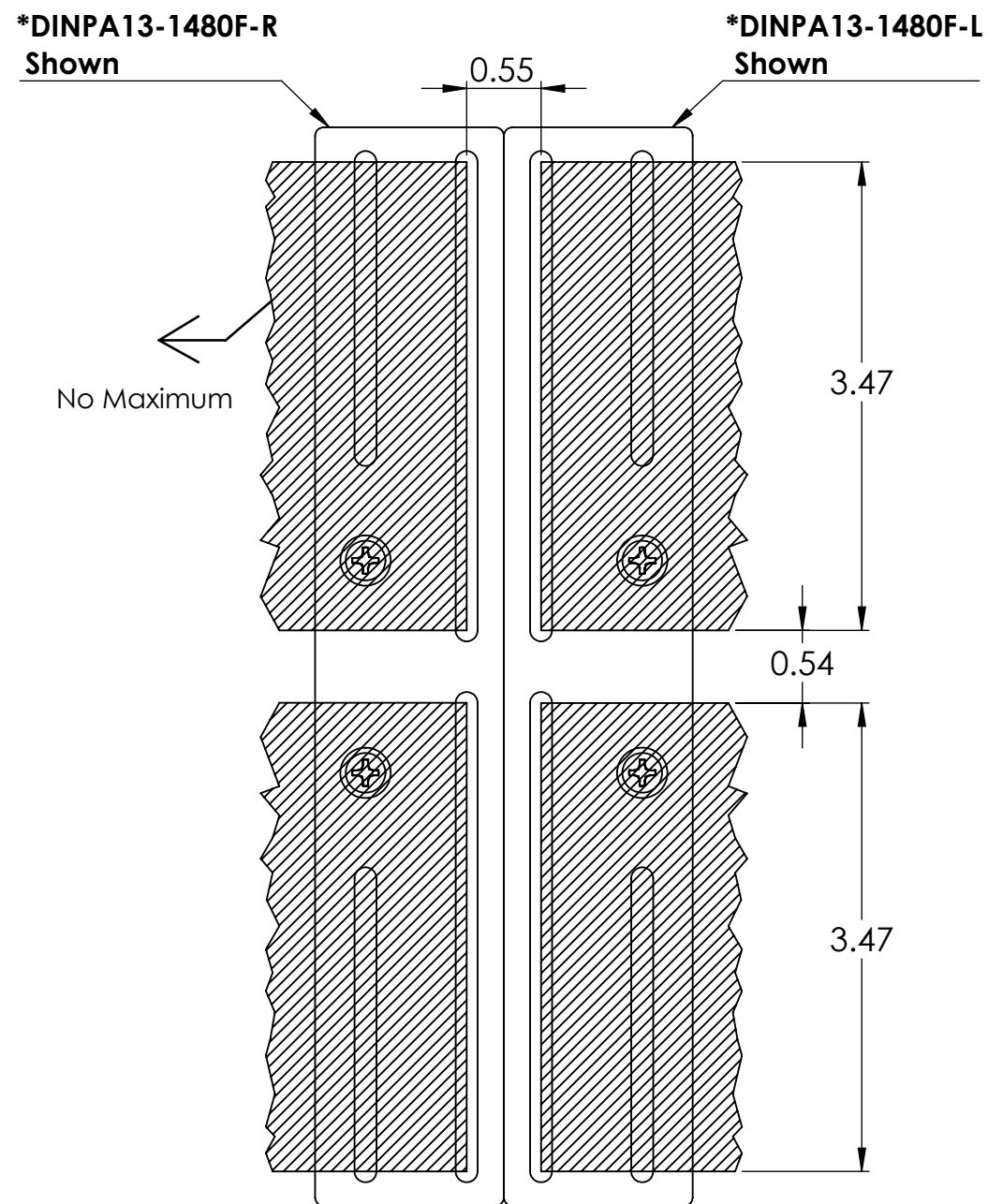
1

Maximum and Minimum Screw Locations


Orientation 1



Orientation 2



= Areas where screws can be used to mount devices

DIM: INCH	DATE: 02/16/2026	RoHS COMPLIANT: Yes	DESCRIPTION:
 WINFORD ENGINEERING, LLC 4561 GARFIELD ROAD AUBURN, MI 48611			Aluminum DIN Mounting Plate, 1.4" x 8.0"
www.winford.com			989-671-9721
PART NUMBER (S)			PART REVISION
DINPA13-1480F			A