

4

3

2

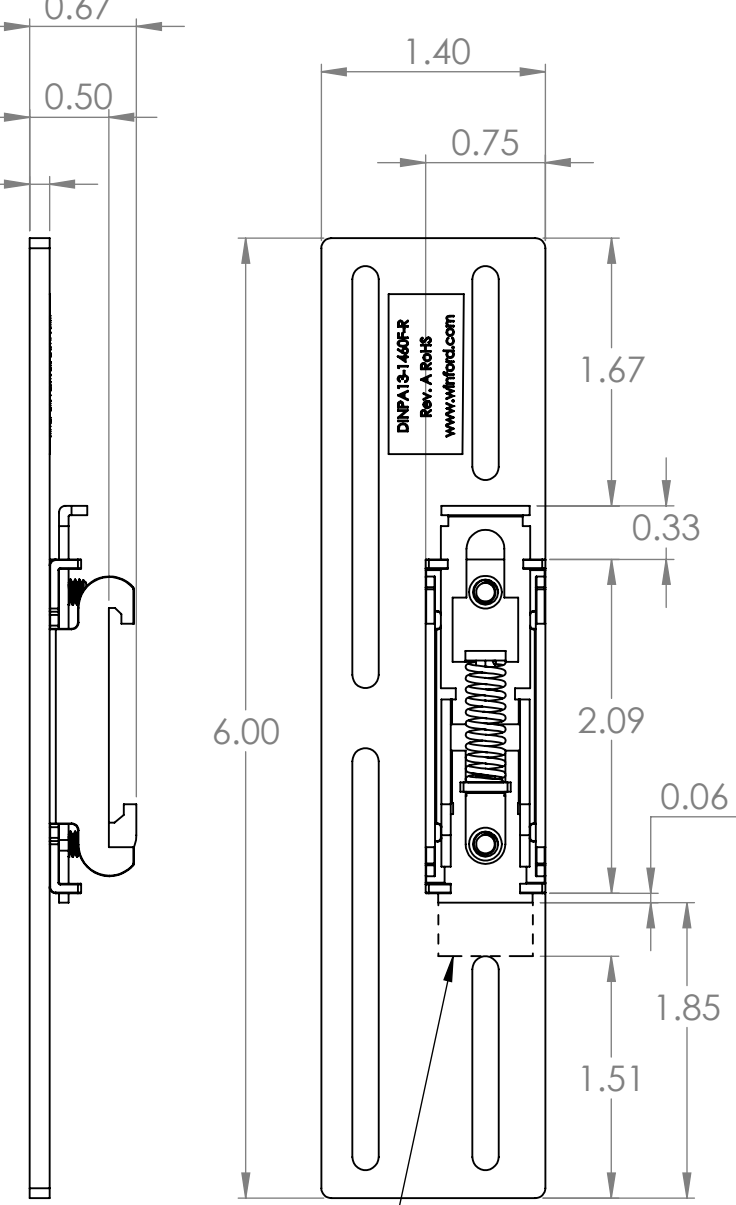
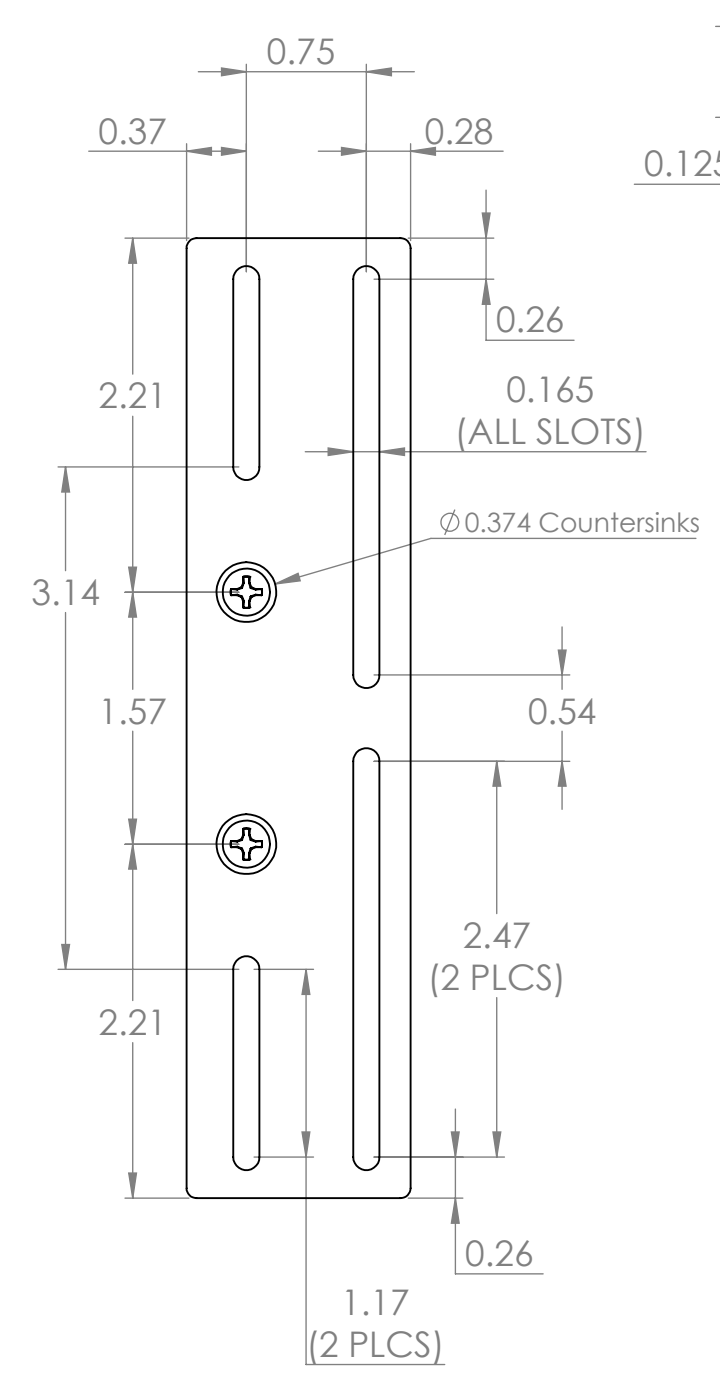
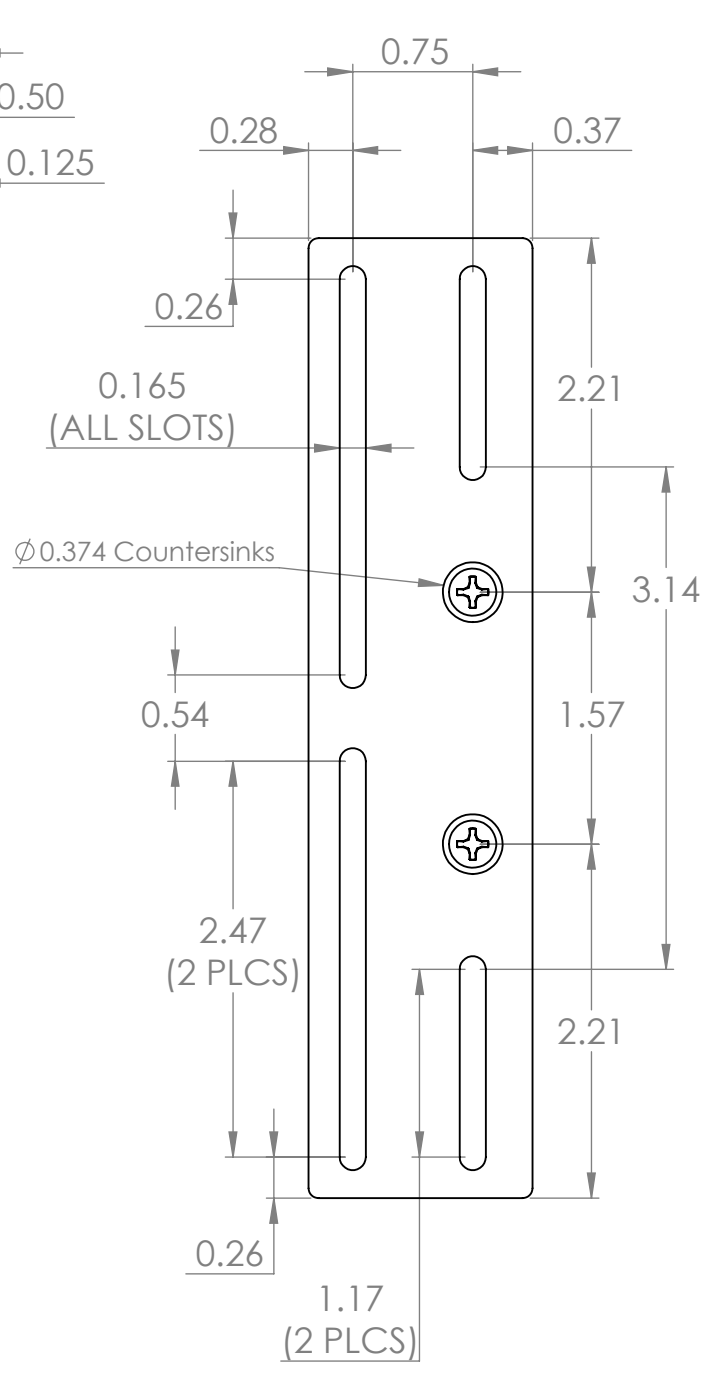
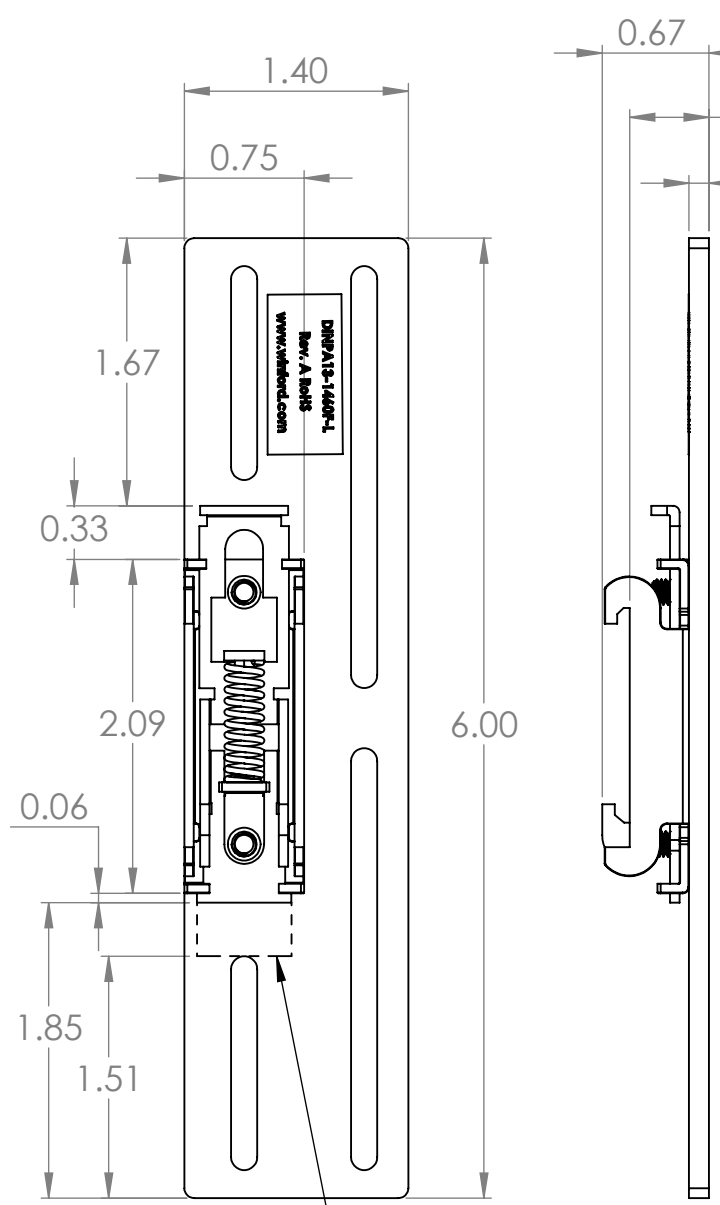
1

B

B

A

A



Release Slide Travel Extent

Release Slide Travel Extent

DESCRIPTION: Aluminum DIN Mounting Plate, 1.4" x 6.0", Plate on Left	
PART REVISION <b>A</b>	PART NUMBER (S) <b>DINPA13-1460F-L</b>

RoHS COMPLIANT: Yes	DATE: 02/13/2026	DIM: INCH
WINFORD ENGINEERING, LLC 4561 GARFIELD ROAD AUBURN, MI 48611		
989-671-9721		www.winford.com

DIM: INCH	DATE: 02/13/2026	RoHS COMPLIANT: Yes
WINFORD ENGINEERING, LLC 4561 GARFIELD ROAD AUBURN, MI 48611		
www.winford.com		989-671-9721

DESCRIPTION: Aluminum DIN Mounting Plate, 1.4" x 6.0", Plate on Right	
PART NUMBER (S) <b>DINPA13-1460F-R</b>	PART REVISION <b>A</b>

4

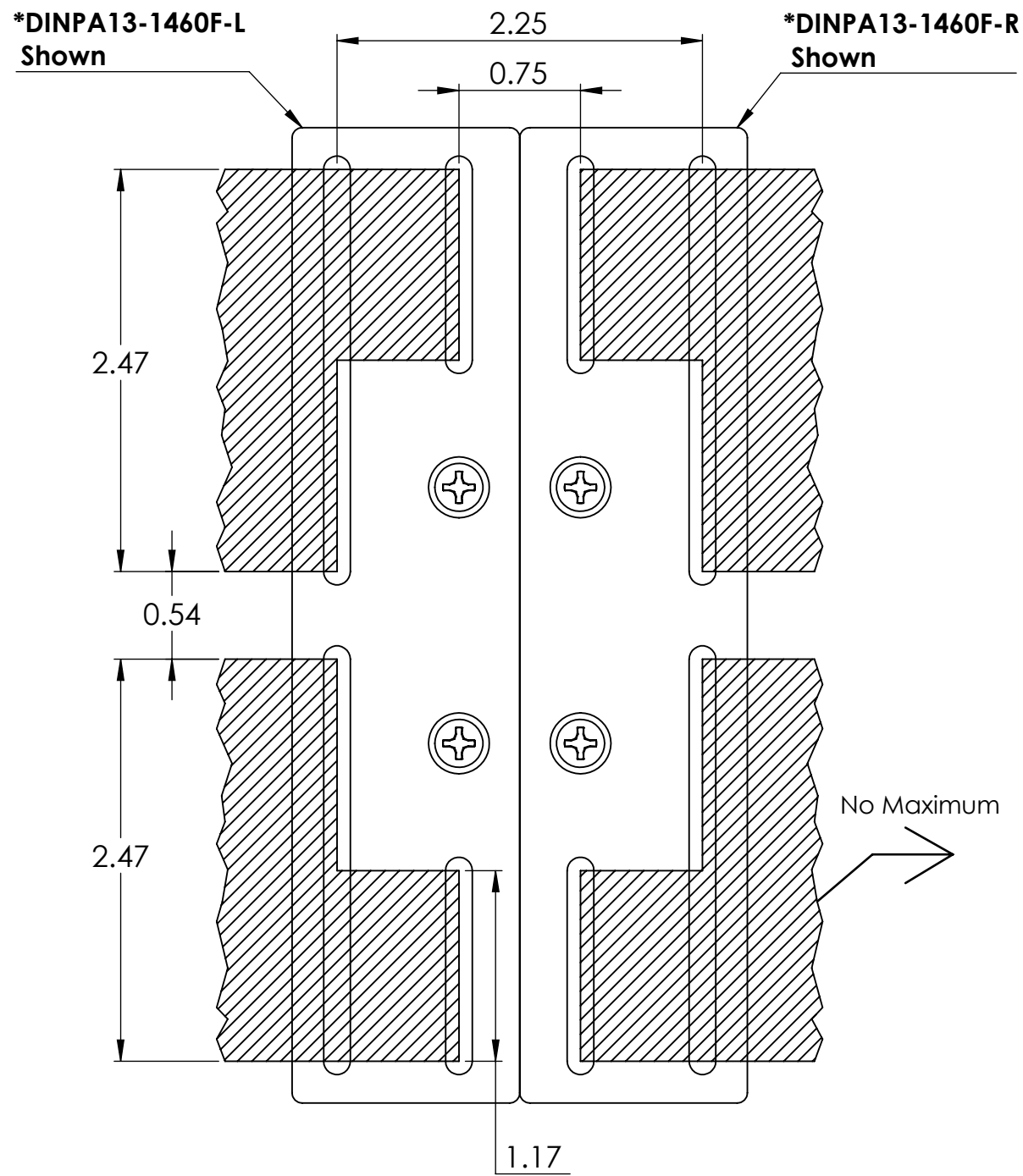
3

2

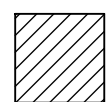
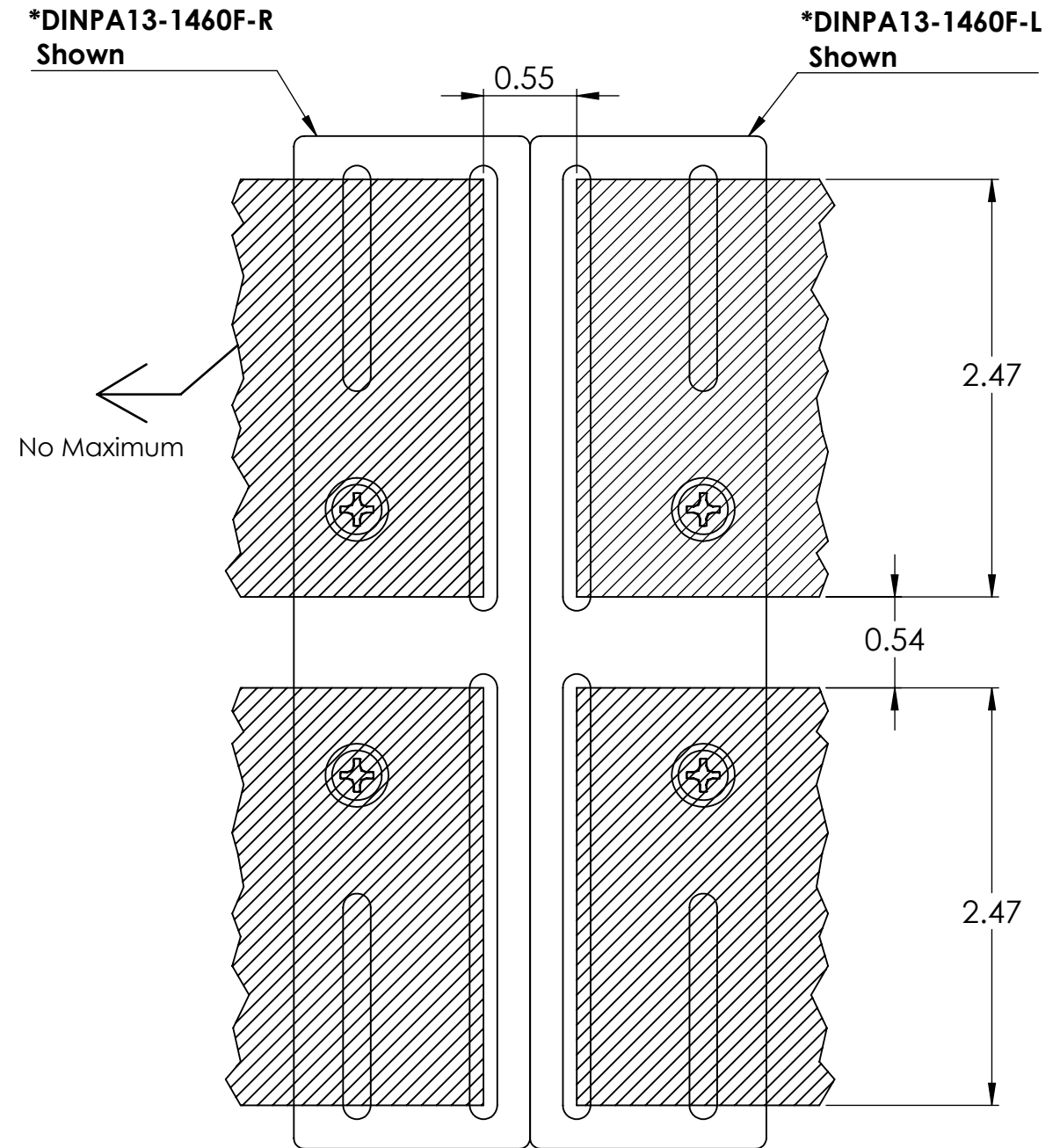
1

# Maximum and Minimum Screw Locations


## Orientation 1



## Orientation 2



= Areas where screws can be used to mount devices

DIM: INCH	DATE: 02/13/2026	RoHS COMPLIANT: Yes	DESCRIPTION:
 WINFORD ENGINEERING, LLC 4561 GARFIELD ROAD AUBURN, MI 48611			Aluminum DIN Mounting Plate, 1.4" x 6.0"
www.winford.com			989-671-9721
PART NUMBER (S)			PART REVISION
DINPA13-1460F			A