

4

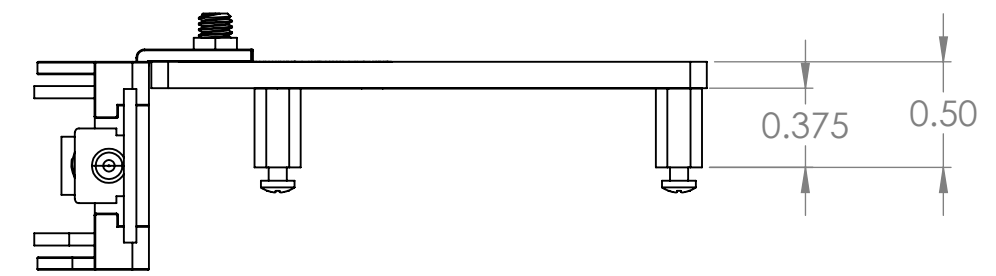
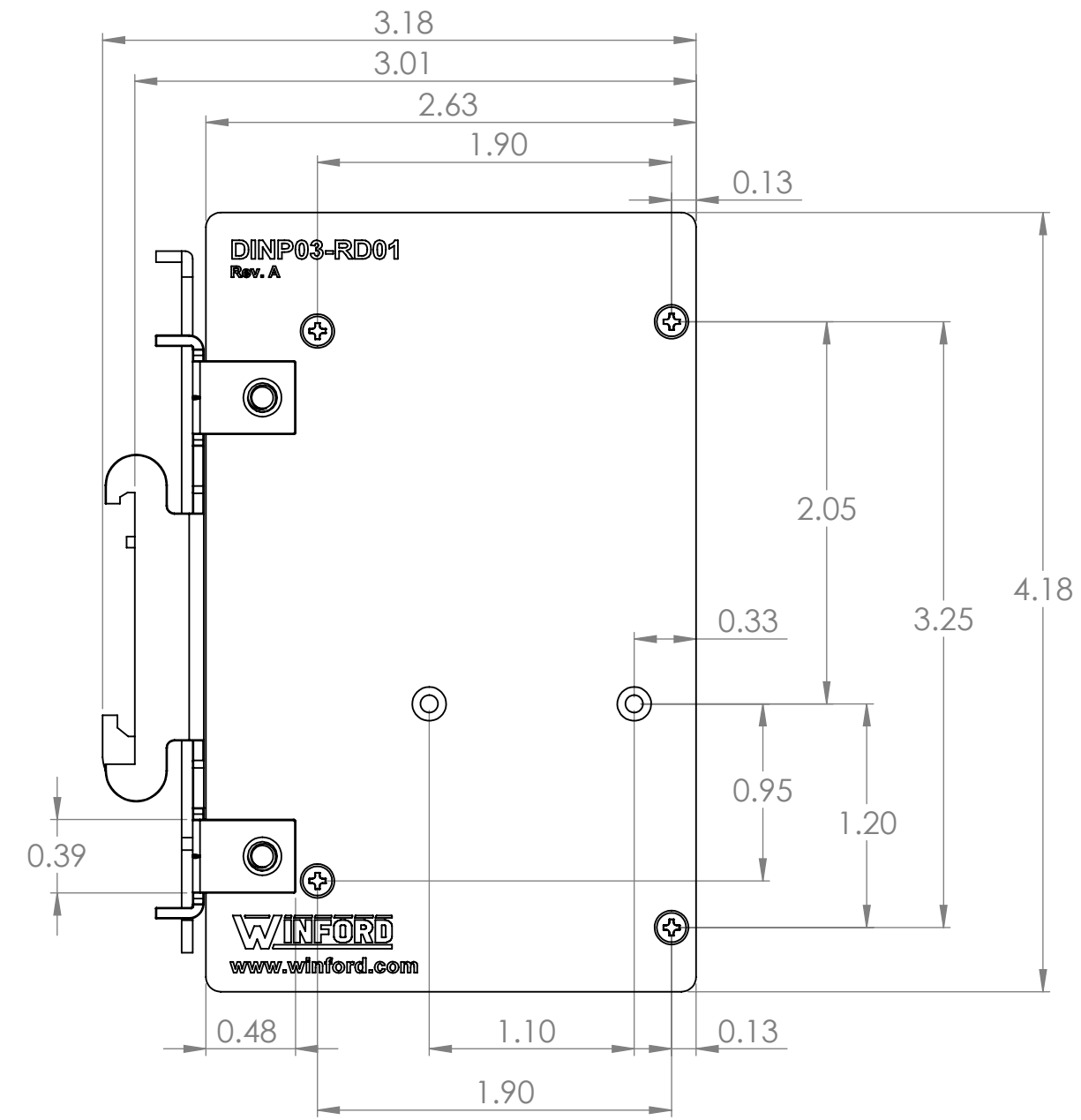
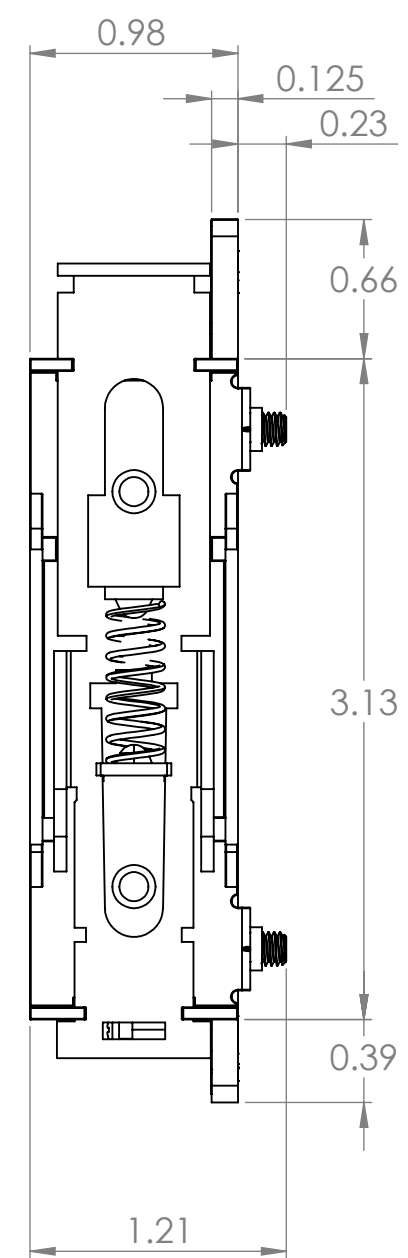
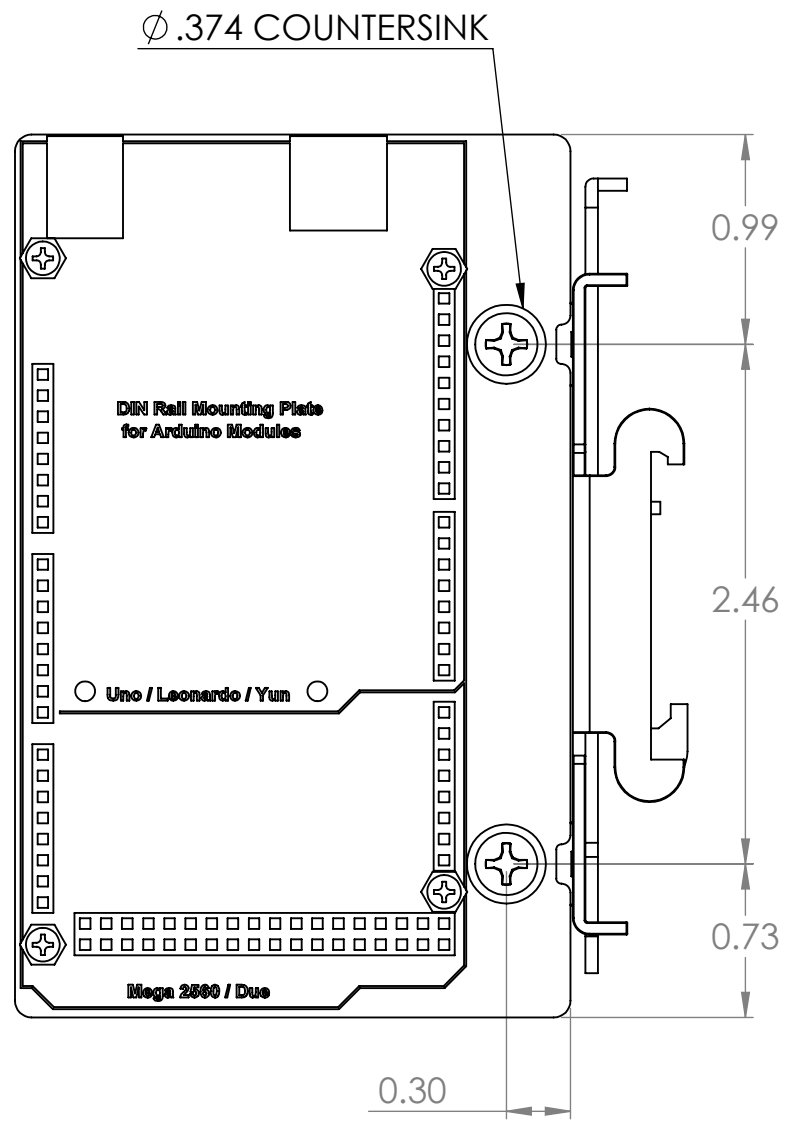
3

2

1


B

B



**Board Mounting Hardware, Included Unassembled
(Shown assembled on drawing)**

QTY	Part
4	Nylon Standoffs, 0.375"
4	#2-56 Flat-Head Screws, 0.25"
4	#2-56 Pan-Head Screws, 0.25"

DIM: INCH	DATE: 06/21/2021	RoHS COMPLIANT: Yes	DESCRIPTION: DIN Rail Mounting Plate for Arduino Devices
 WINFORD ENGINEERING, LLC 4561 GARFIELD ROAD AUBURN, MI 48611			PART NUMBER (S) DINP03-RD01
www.winford.com		989-671-9721	PART REVISION A

4

3

2

1

A

A