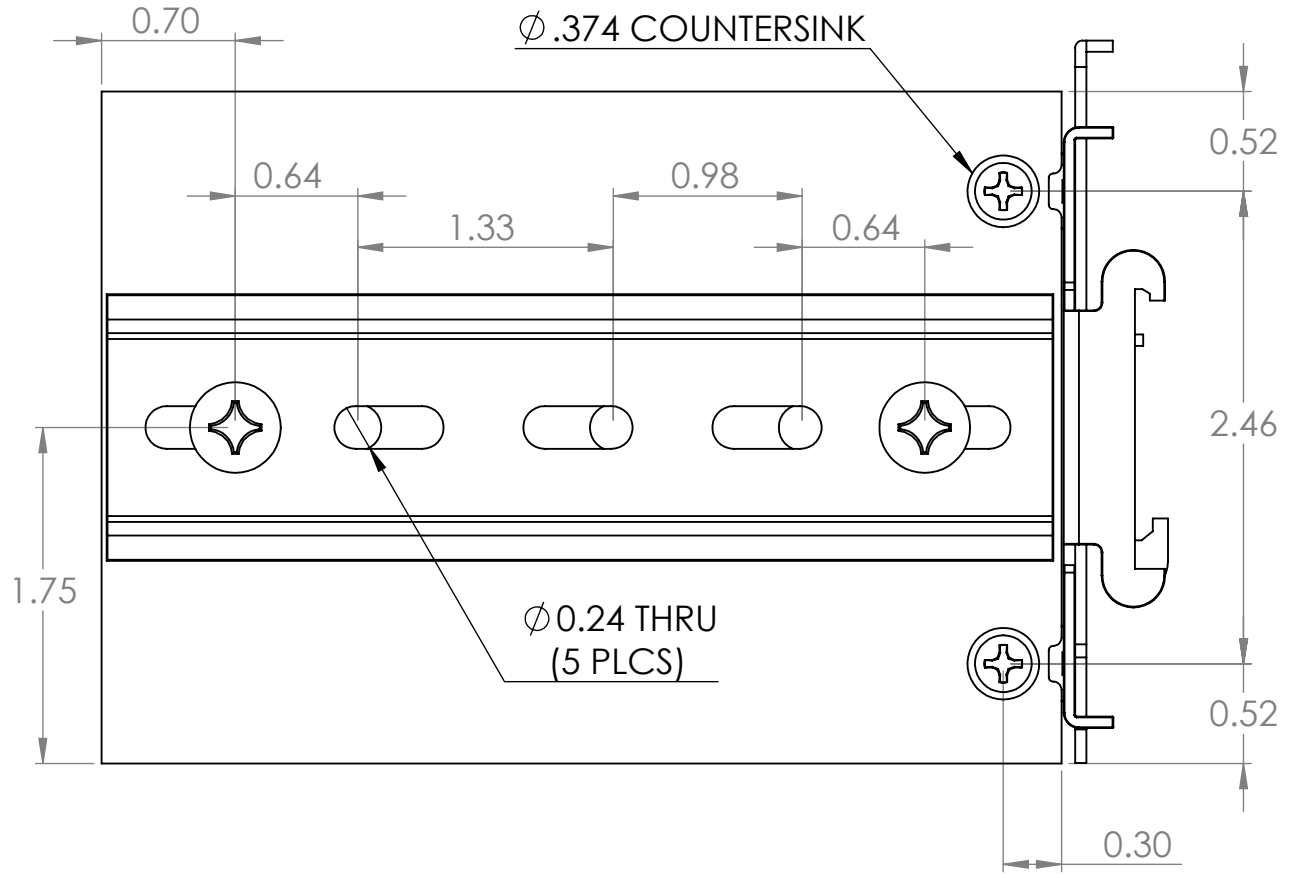
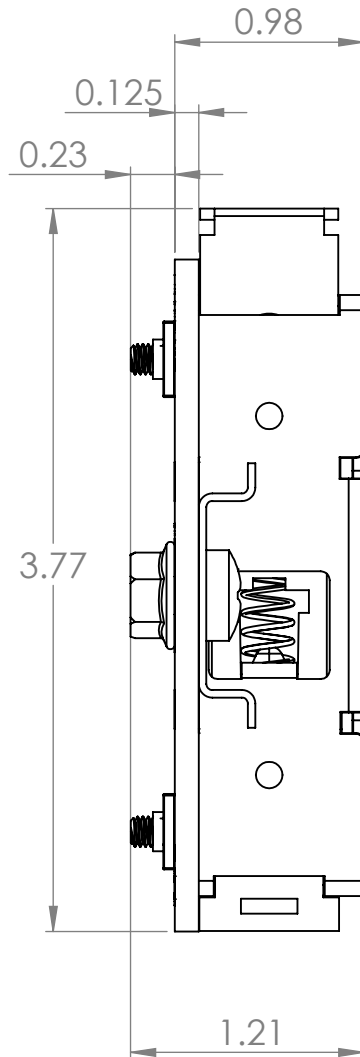
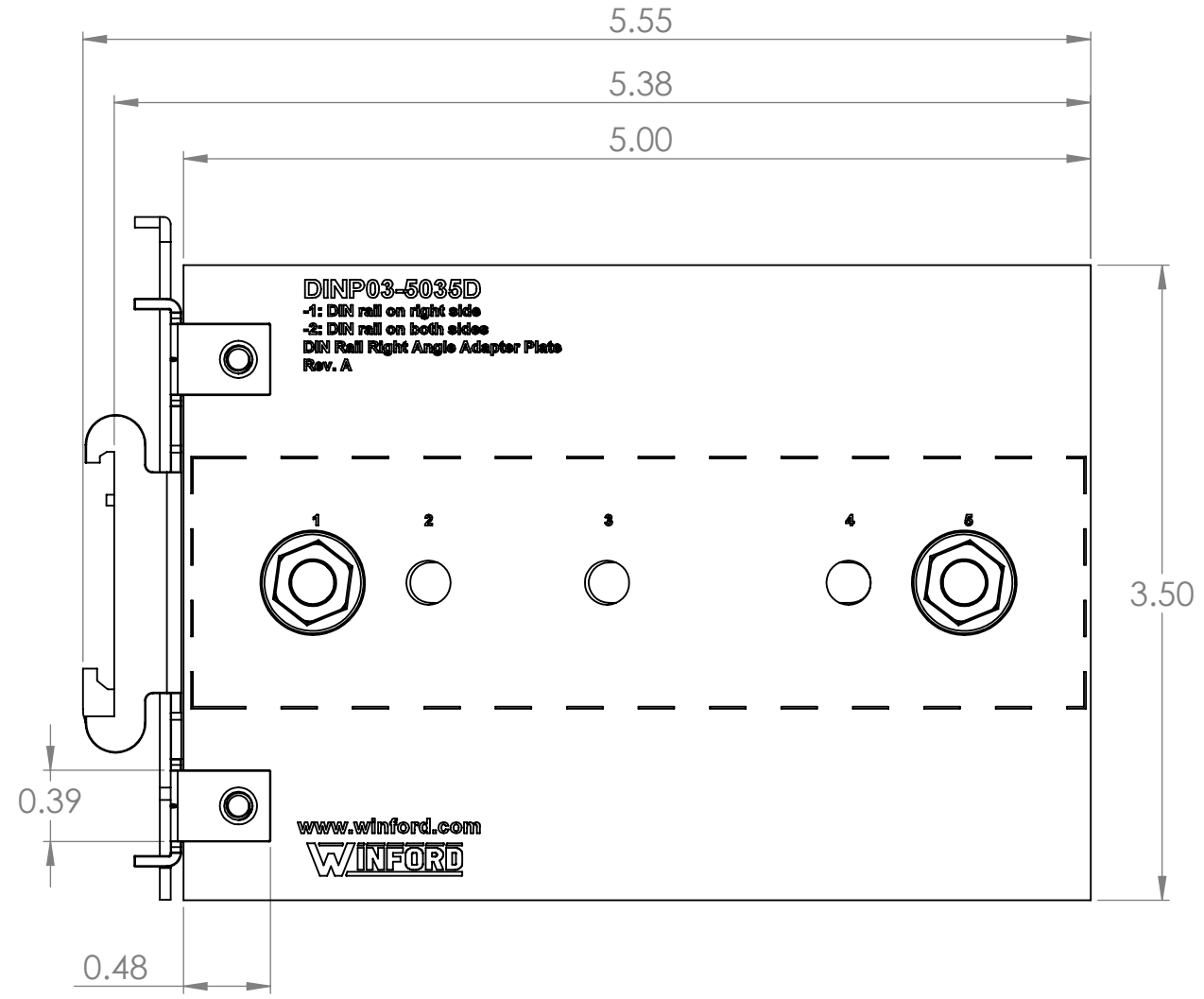


4

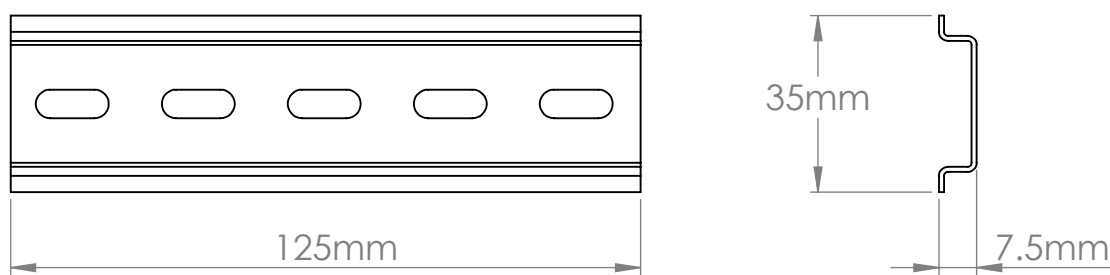
3


2

1



**DIN RAIL DETAILS (1 PC PRE-INSTALLED)**



DIM: INCH	DATE: 06/09/2021	RoHS COMPLIANT: Yes	DESCRIPTION:
 WINFORD ENGINEERING, LLC 4561 GARFIELD ROAD AUBURN, MI 48611			<b>DIN Mounting Plate R/A</b>
www.winford.com		989-671-9721	PART NUMBER (S) <b>DINP03-5035D-1</b>
			PART REVISION <b>A</b>

4

3

2

1