

4

3

2

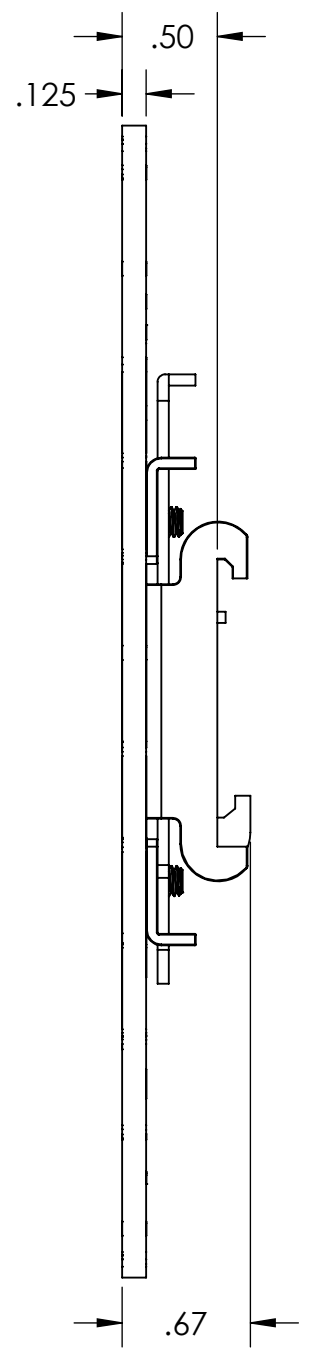
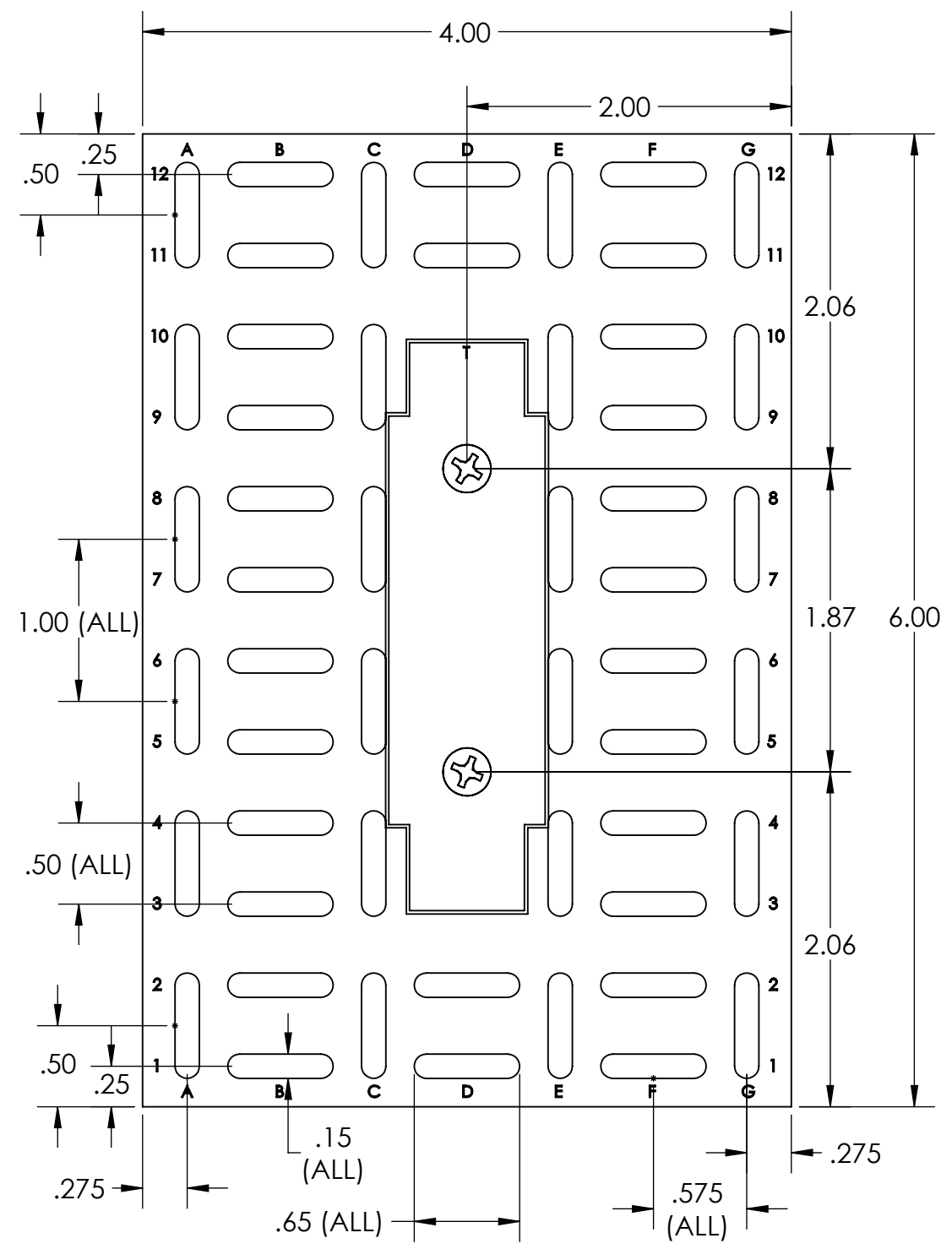
1

B

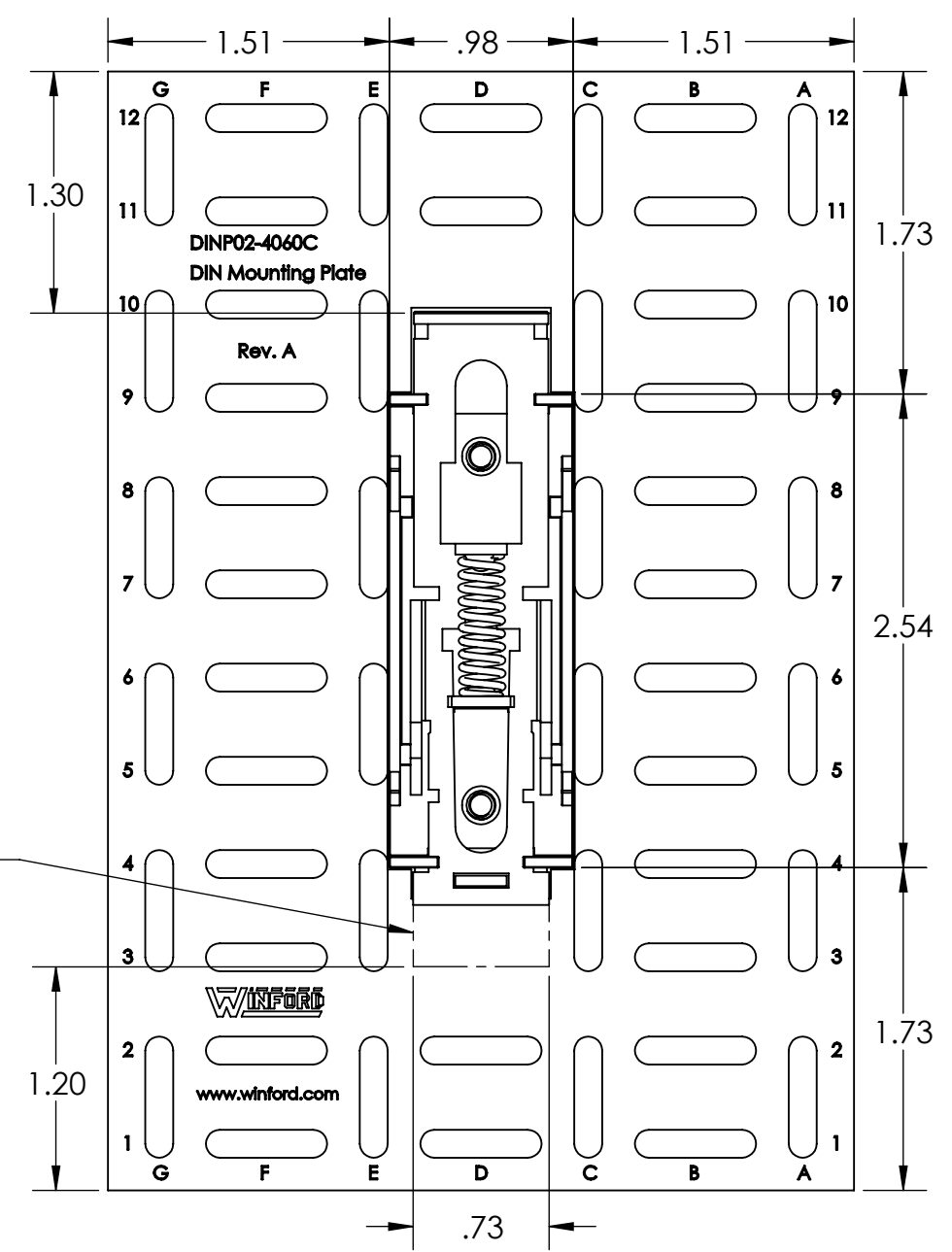
B

A

A



Release Slide Travel Extent



DIM: INCH	DATE: 04/26/2020	RoHS COMPLIANT: YES	DESCRIPTION:
 WINFORD ENGINEERING, LLC 4561 GARFIELD ROAD AUBURN, MI 48611			DIN Mounting Plate 4" X 6"
www.winford.com		989-671-9721	PART NUMBER (S) DINP02-4060C
			PART REVISION A

4

3

2

1