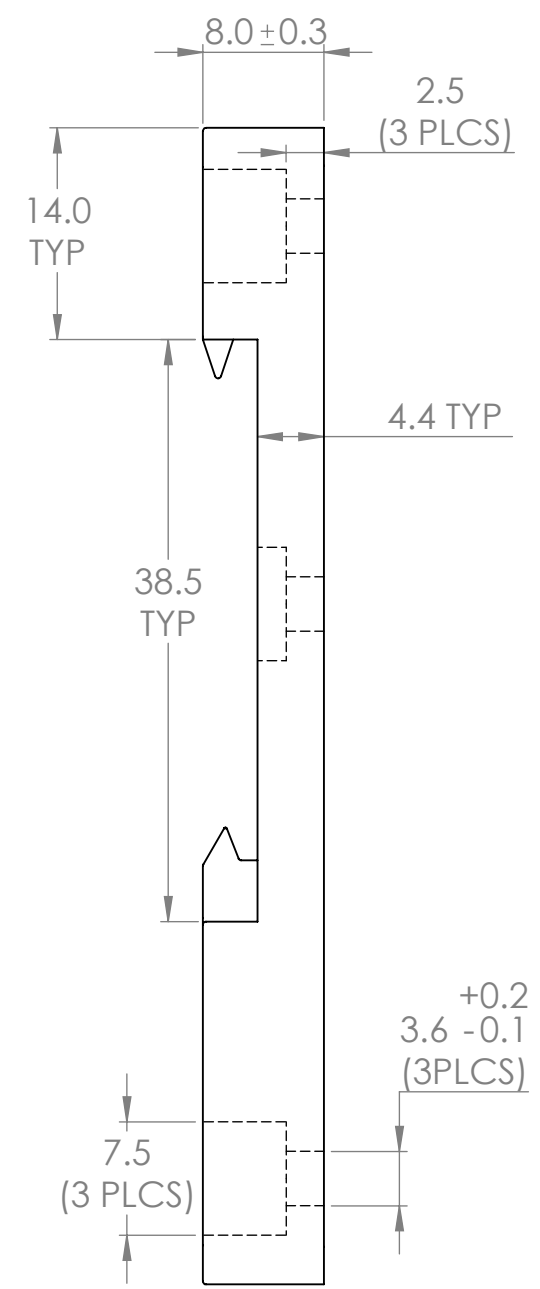
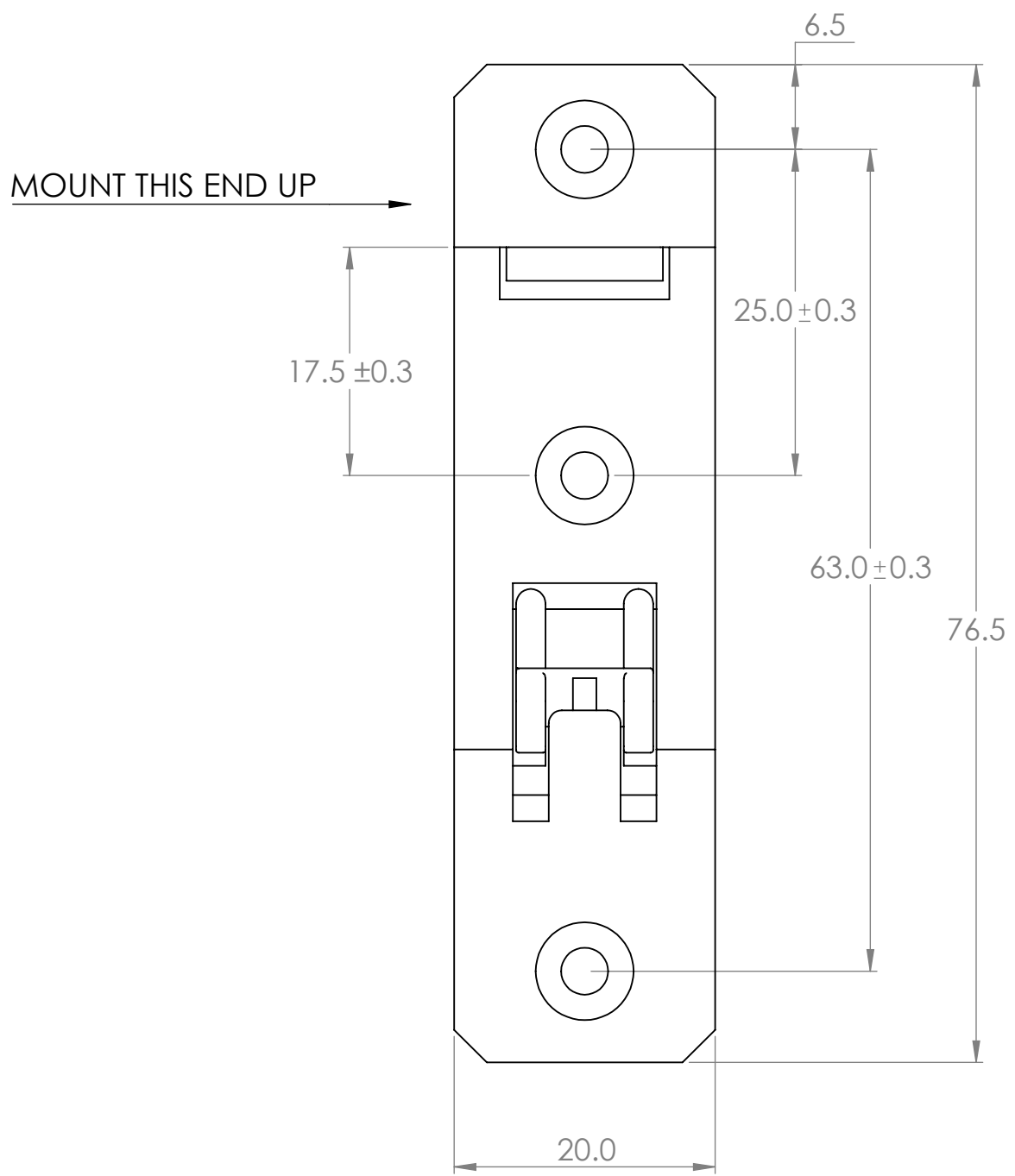


4

3

2

1



B


B

A

A

Clip Material: Fiberglass reinforced nylon 66 (PA66+GF30%)

Tolerance: ±0.5mm unless otherwise specified.  
Dimensions labeled "TYP" are not toleranced.

DIM: MM	DATE: 11/28/22	RoHS COMPLIANT: Yes	DESCRIPTION:	
 WINFORD ENGINEERING, LLC 4561 GARFIELD ROAD AUBURN, MI 48611			DIN Rail Mounting Clip, 20mm Width - Counterbore	
			PART NUMBER (S)	PART REVISION
www.winford.com			DINM12CB-RC	A

4

3

2

1