

4

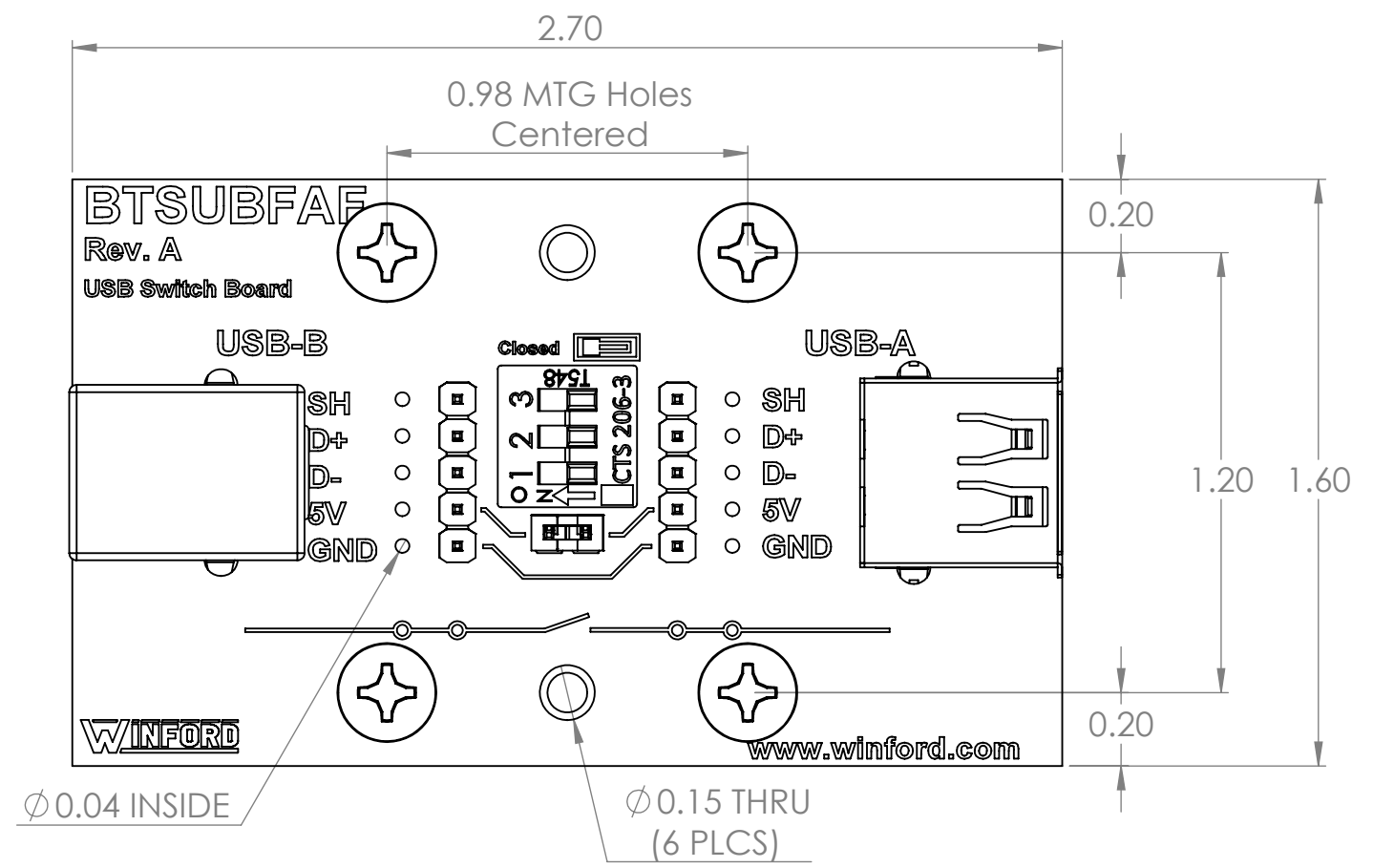
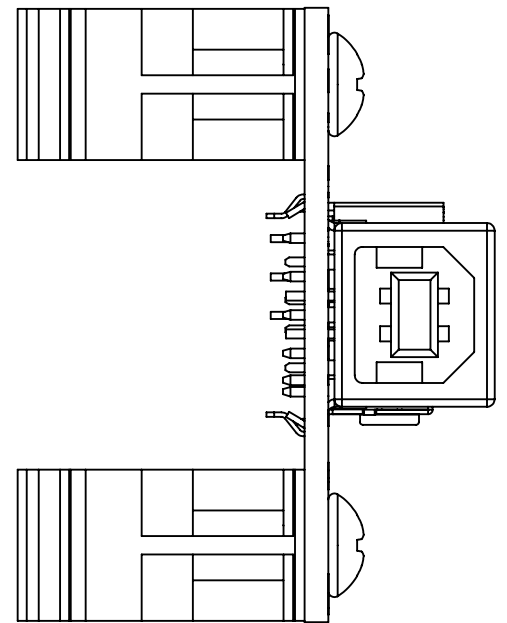
3

2

1

B

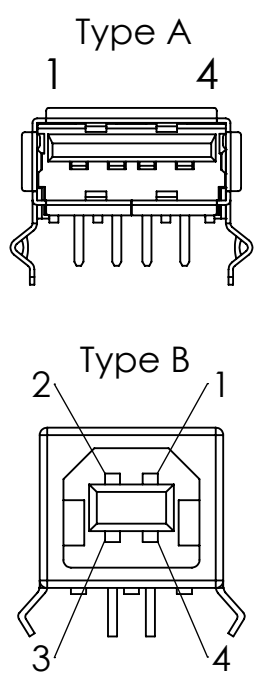
B



A

A

Connector Pinout

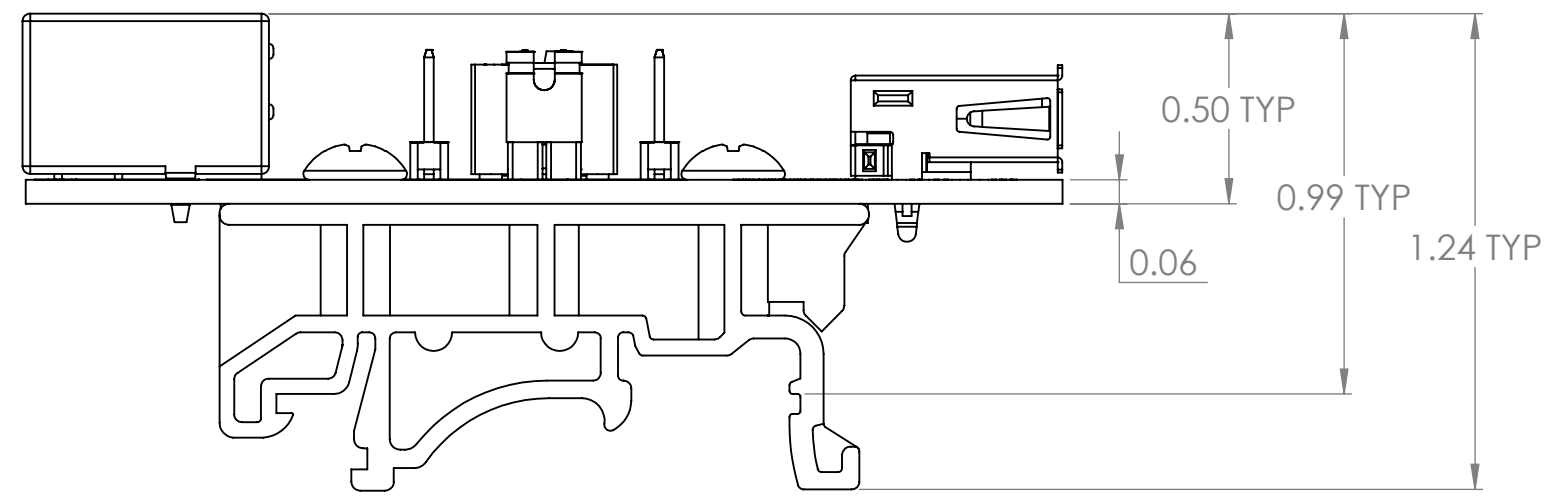


Pin 1: 5V

Pin 2: D-

Pin 3: D+

Pin 4: GND



4

3

2

1

DIM: INCH	DATE: 12/13/2021	RoHS COMPLIANT: Yes	DESCRIPTION: USB A/B Diagnostic Breakout Switch Board
			PART NUMBER (S) <b>BTSUBFAF-R-DIN</b>
WINFORD ENGINEERING, LLC 4561 GARFIELD ROAD AUBURN, MI 48611		PART REVISION <b>A</b>	
www.winford.com	989-671-9721		