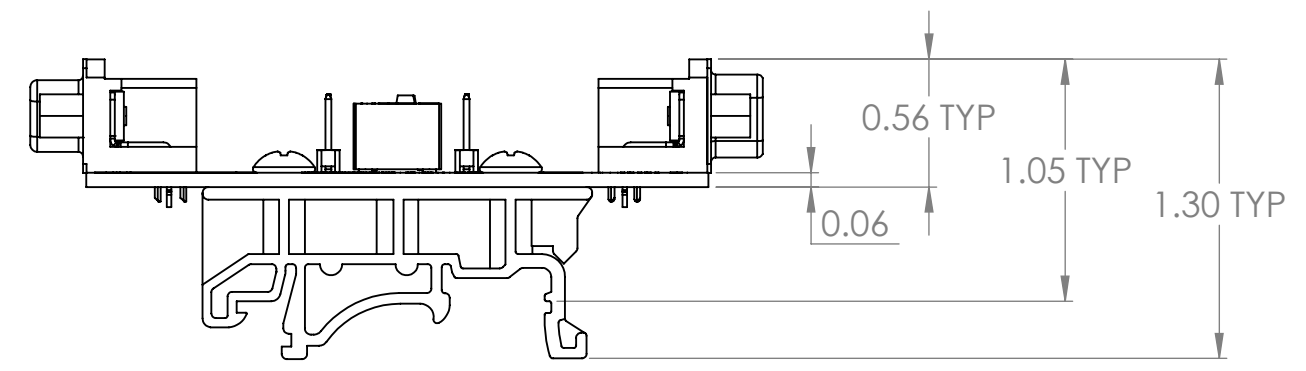
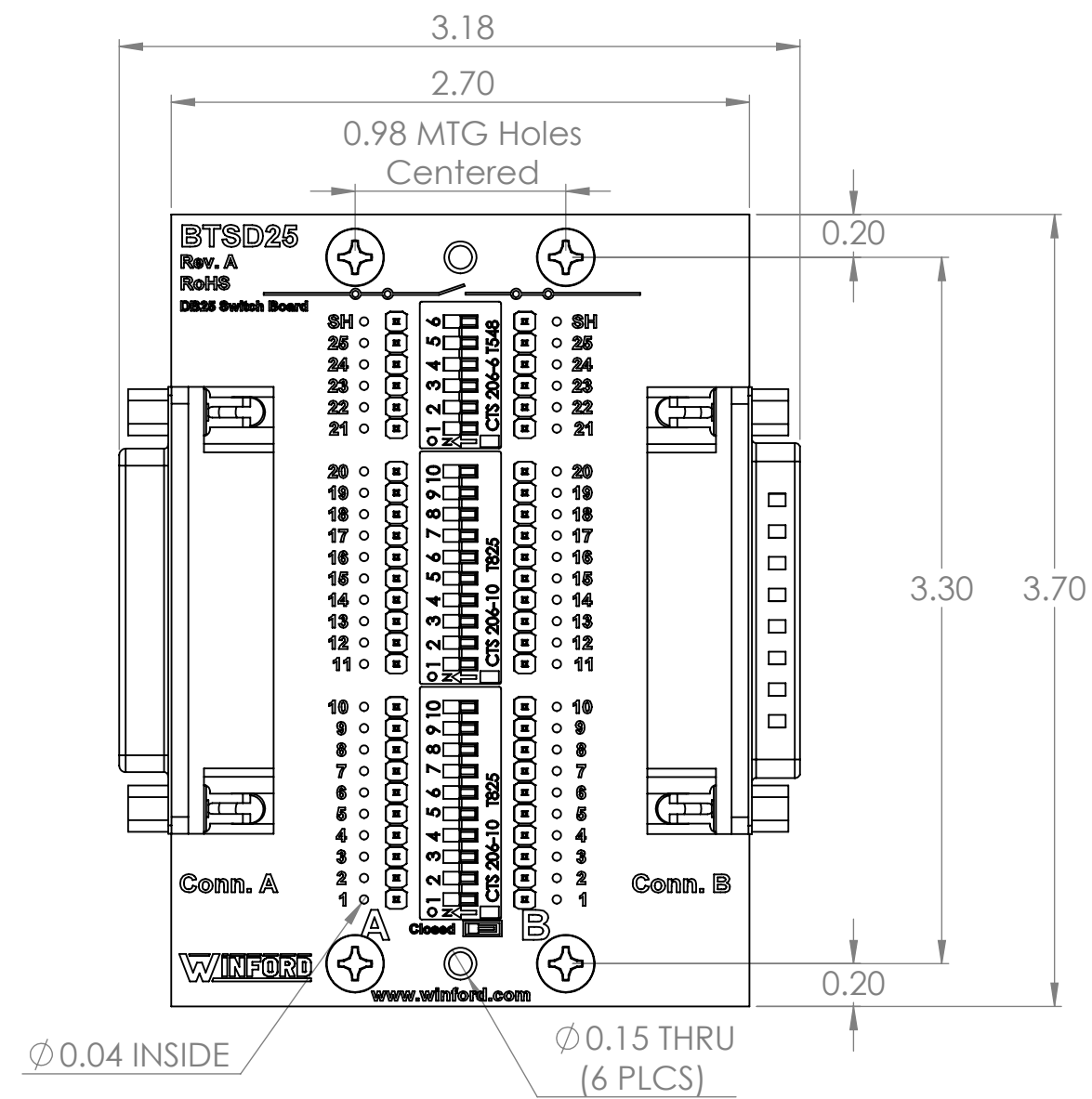
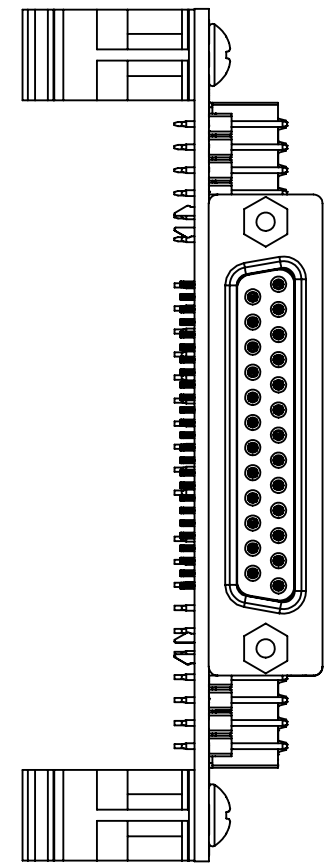


4

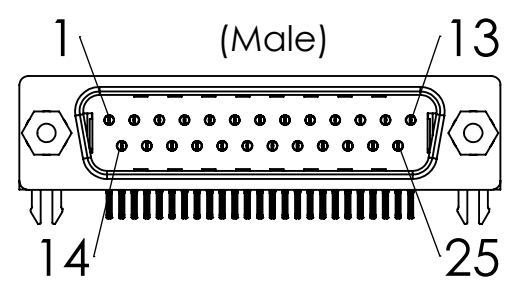
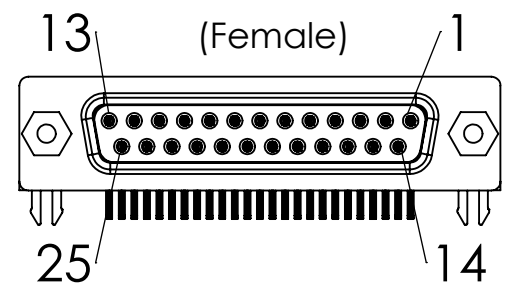
3

2

1



Connector Pinout



DIM: INCH	DATE: 11/24/2021	RoHS COMPLIANT: Yes	DESCRIPTION:
			DB25 Diagnostic Breakout Switch Board
WINFORD ENGINEERING, LLC 4561 GARFIELD ROAD AUBURN, MI 48611			PART NUMBER (S)
www.winford.com			989-671-9721
			PART REVISION
BTSD25-R-DIN			A

4

3

2

1