

4

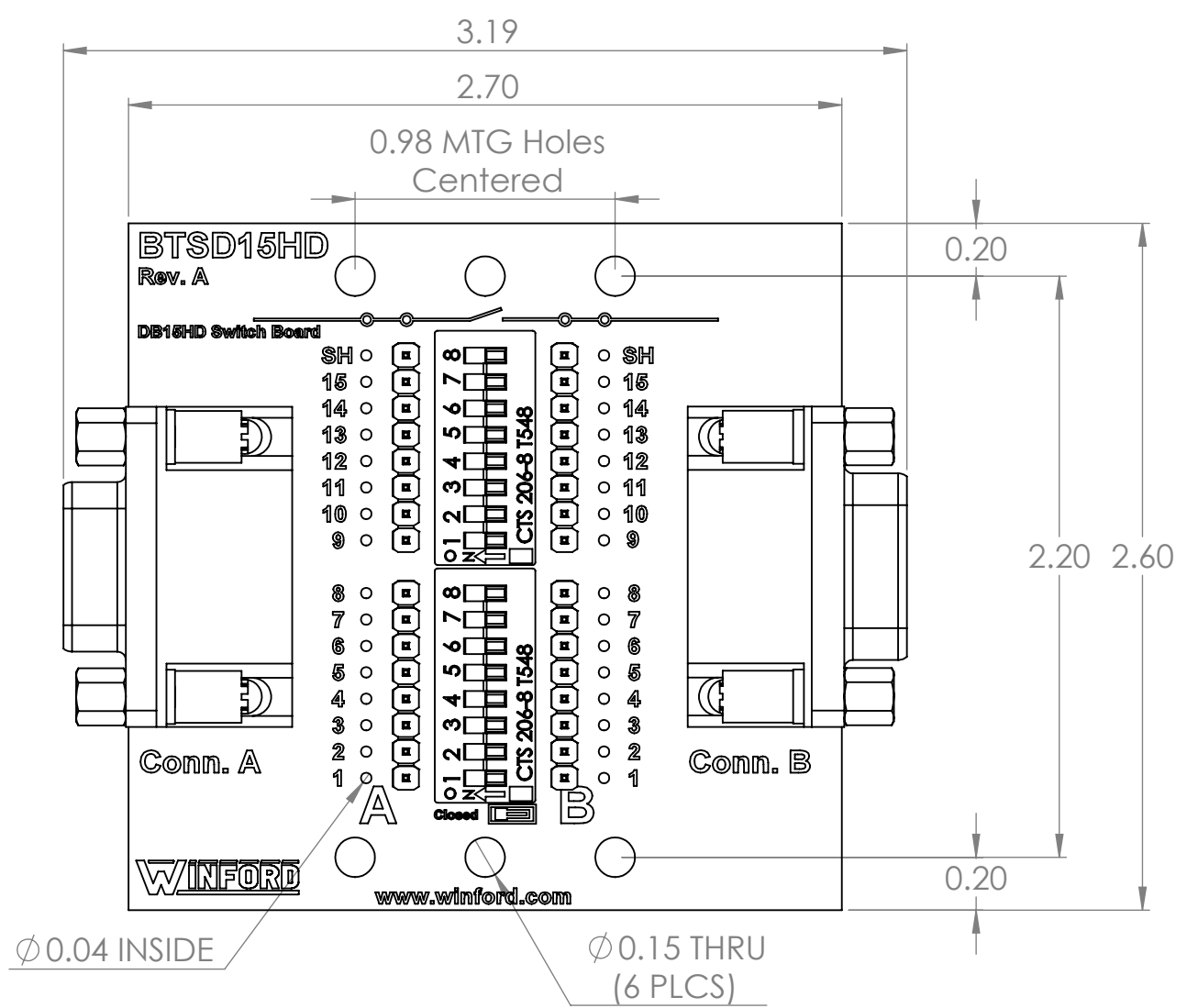
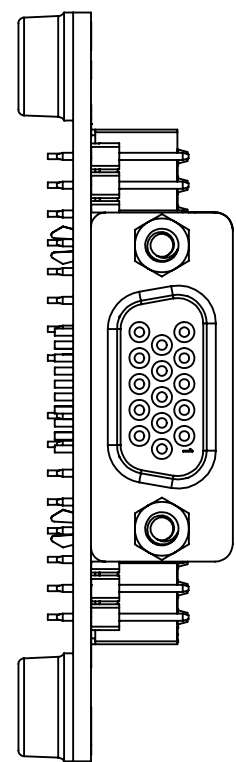
3

2

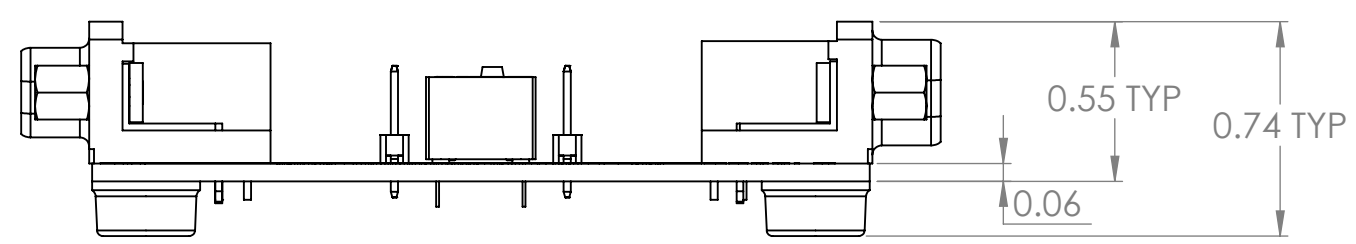
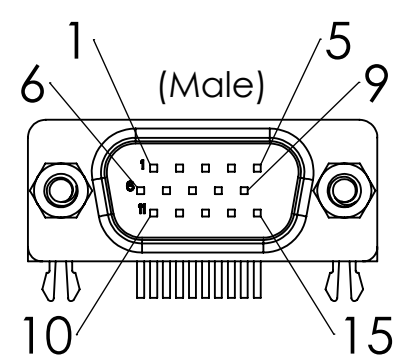
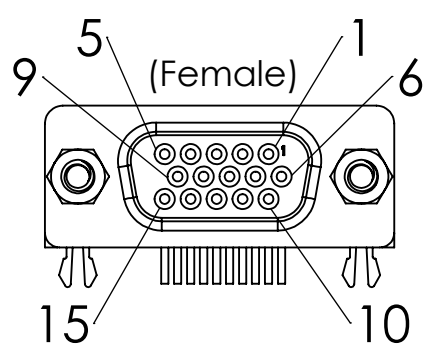
1


B

B



Connector Pinout



DIM: INCH	DATE: 11/24/2021	RoHS COMPLIANT: Yes	DESCRIPTION: DB15HD Diagnostic Breakout Switch Board
		WINFORD ENGINEERING, LLC 4561 GARFIELD ROAD AUBURN, MI 48611	PART NUMBER (S) BTSD15HD-R-FT
www.winford.com		989-671-9721	PART REVISION A

4

3

2

1

A

A