

4

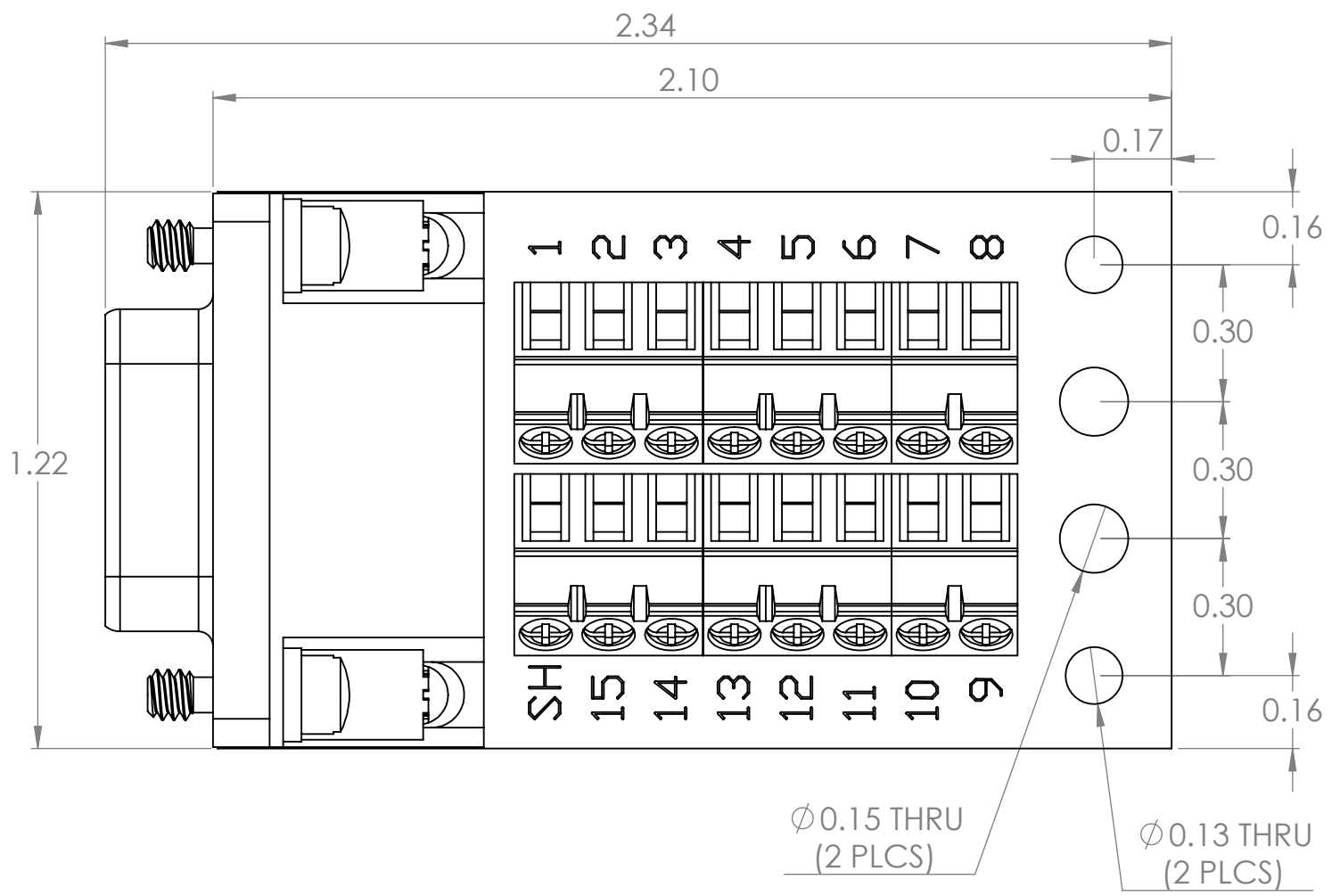
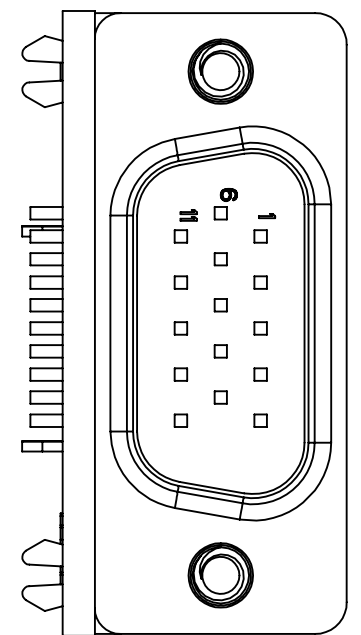
3

2

1

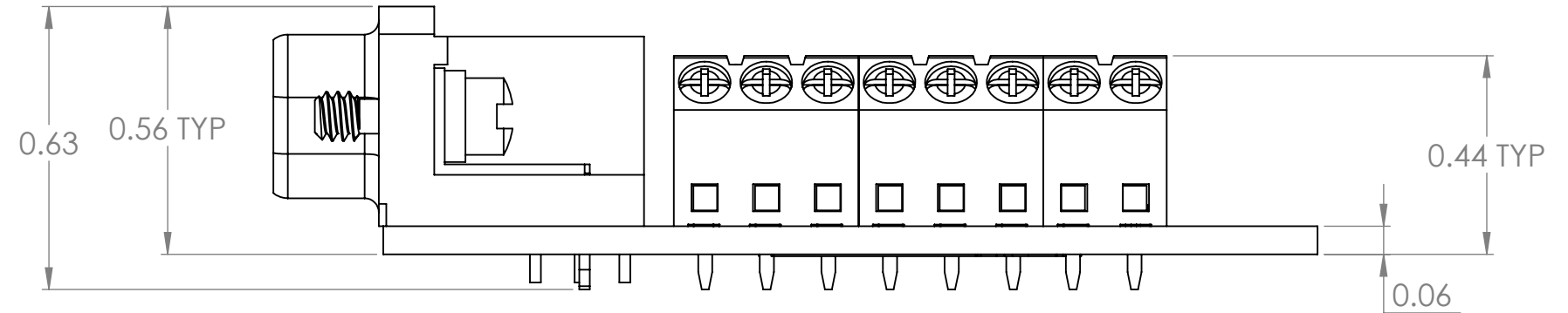
B

B

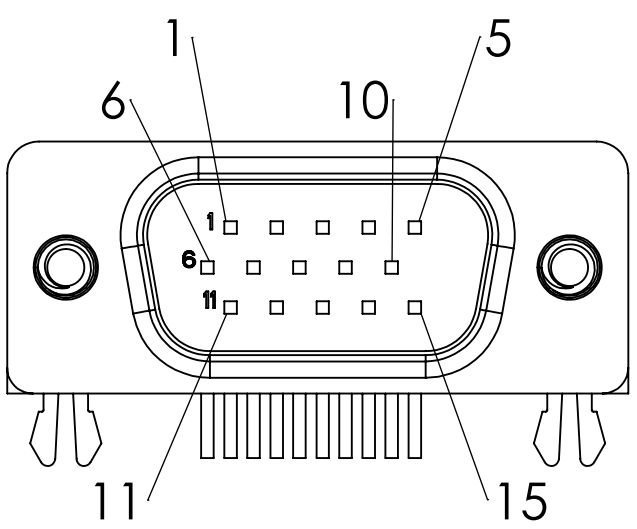



A

A



Connector Pinout  
(Male)



DIM: INCH	DATE: 09/21/2021	RoHS COMPLIANT: Yes	DESCRIPTION:
 WINFORD ENGINEERING, LLC 4561 GARFIELD ROAD AUBURN, MI 48611			DB15HD Male Slim Breakout Board
			PART NUMBER (S) <b>BRKSD15HDM-C</b>
www.winford.com		989-671-9721	PART REVISION <b>A</b>

4

3

2

1