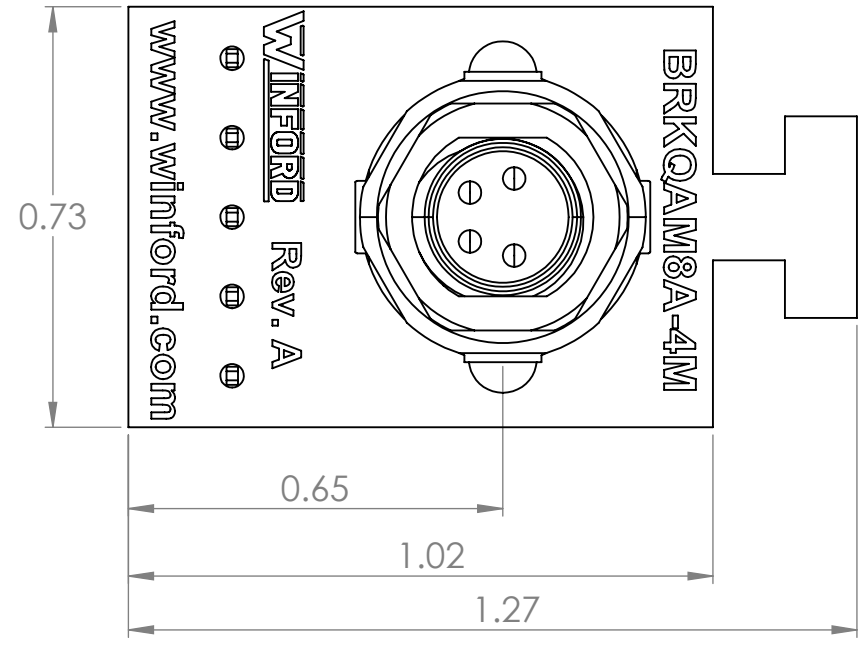
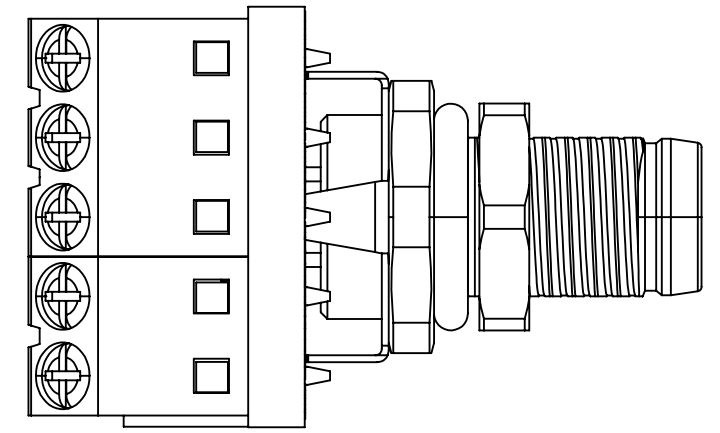
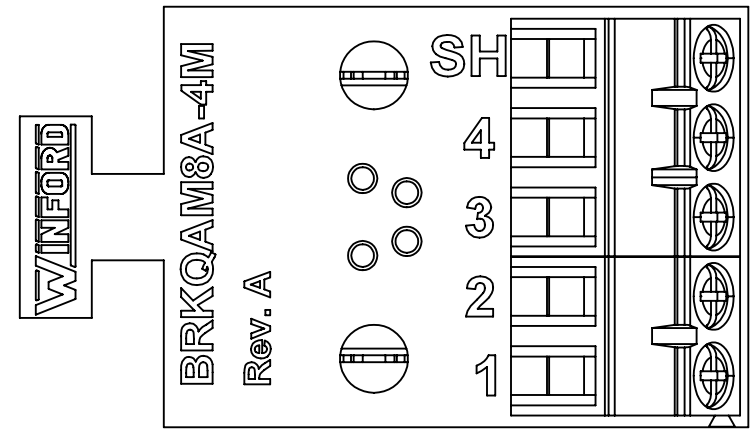


4

3

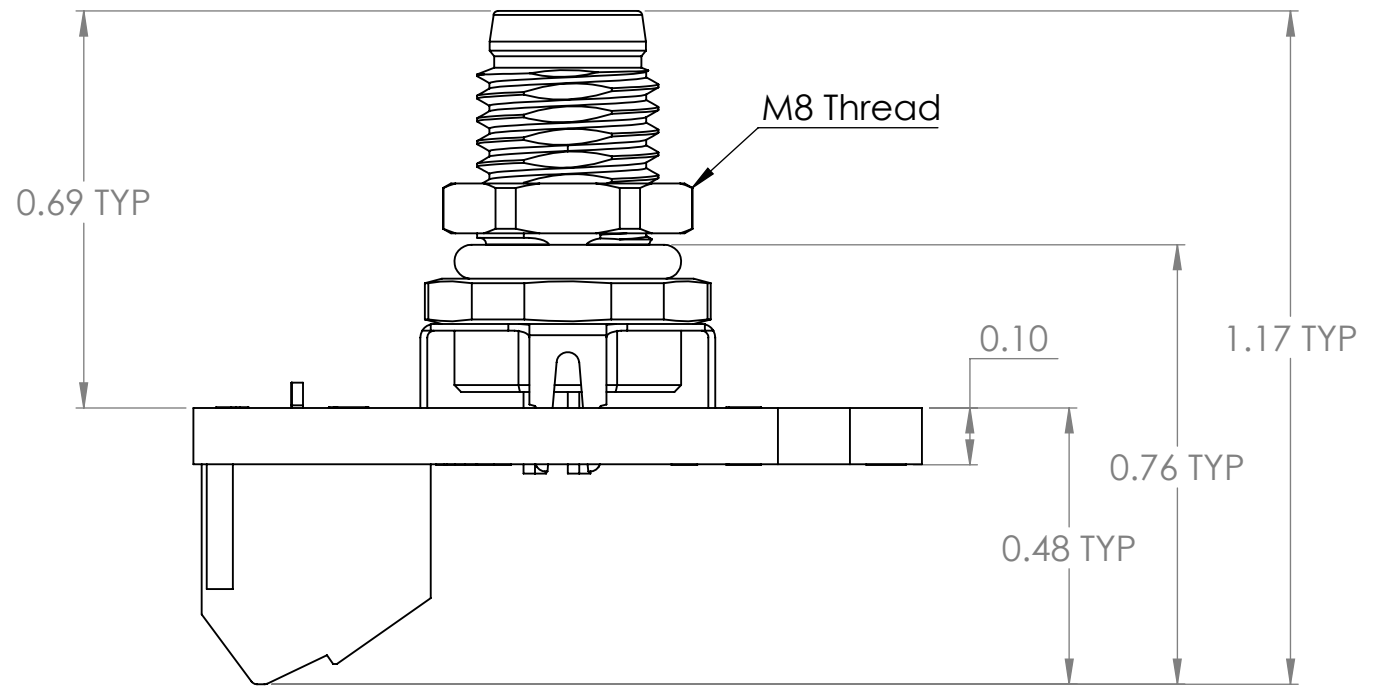
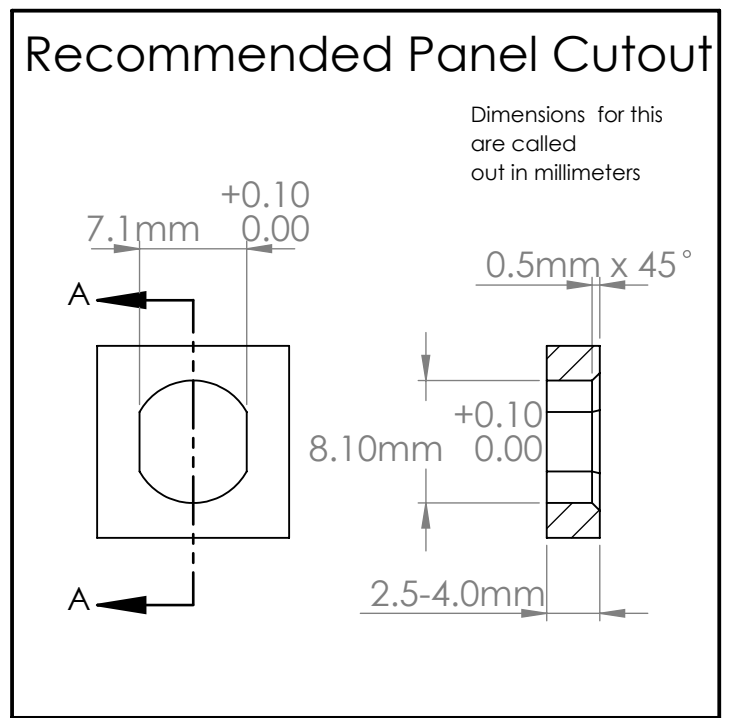
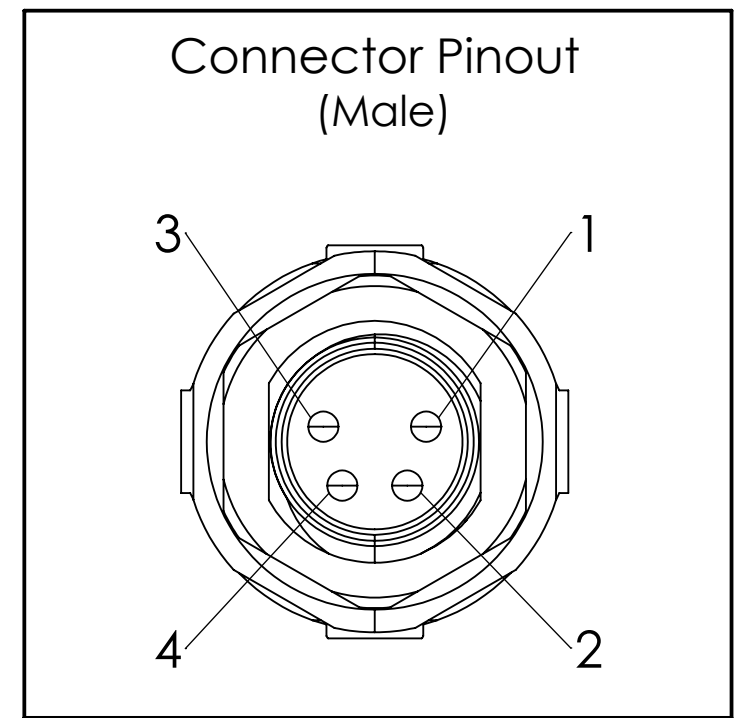
2

1



B

B



A

A

4

3

2

1

DIM: INCH	DATE: 4/16/2021	RoHS COMPLIANT: Yes	DESCRIPTION:
			M8 4-Pin Male Breakout Board
www.winford.com		WINFORD ENGINEERING, LLC 4561 GARFIELD ROAD AUBURN, MI 48611 989-671-9721	PART NUMBER (S) BRKQAM8A-4M-A
			PART REVISION A