

4

3

2

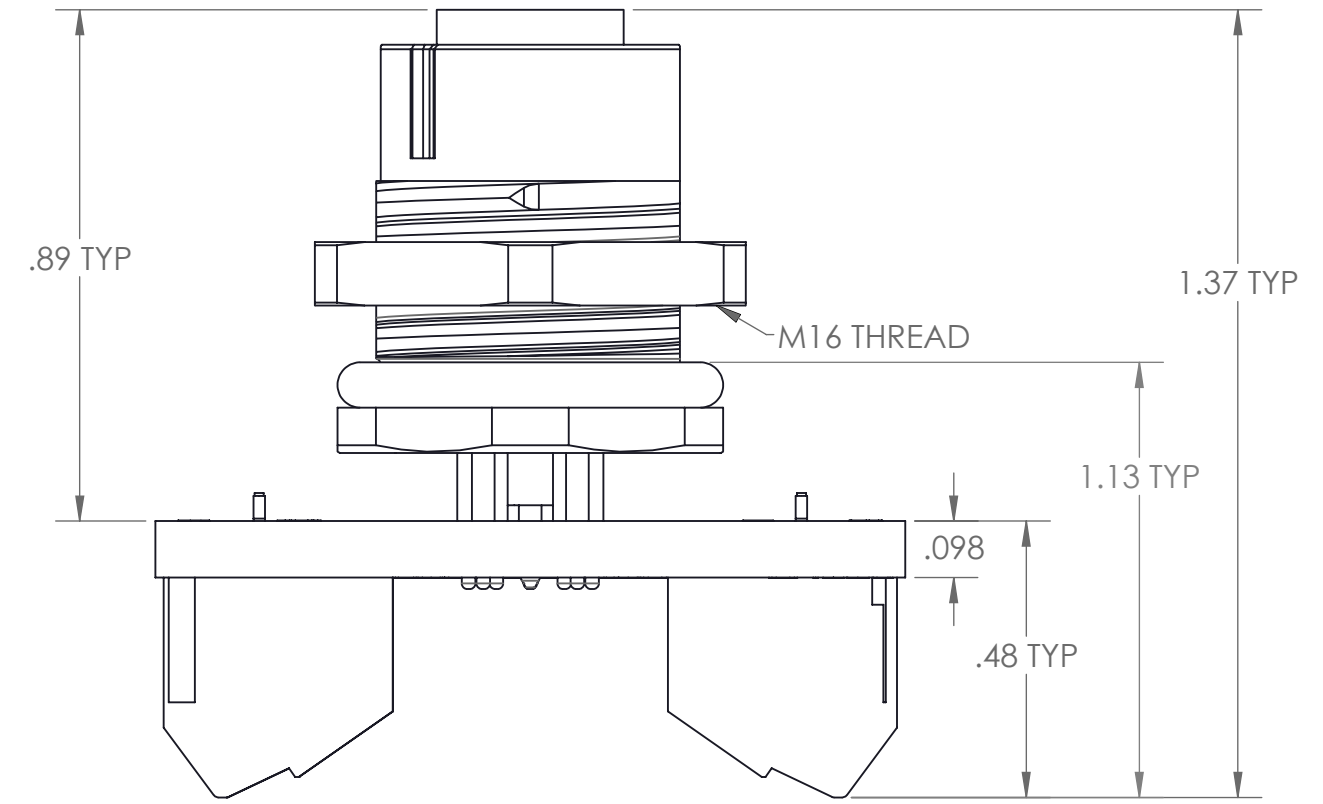
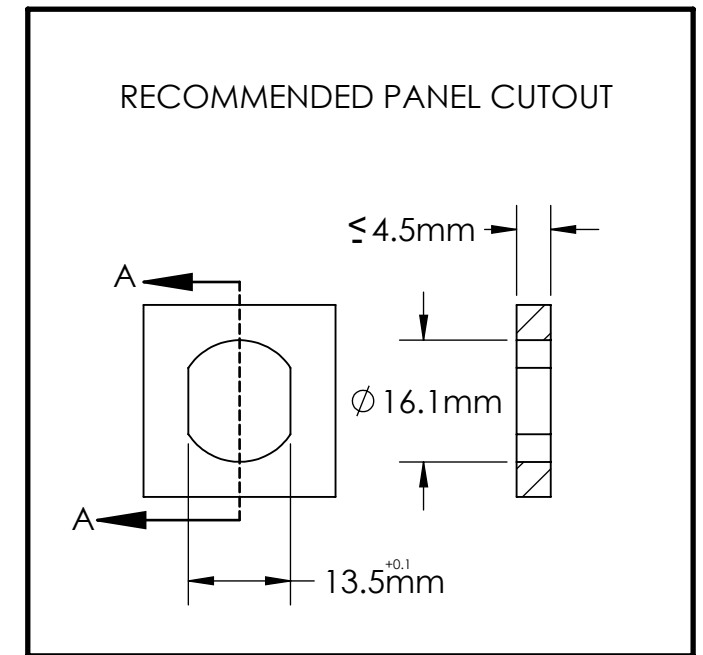
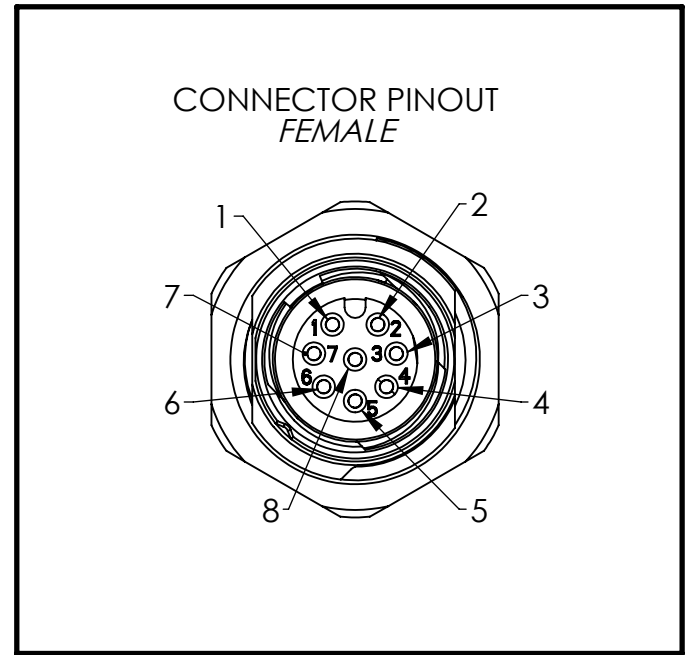
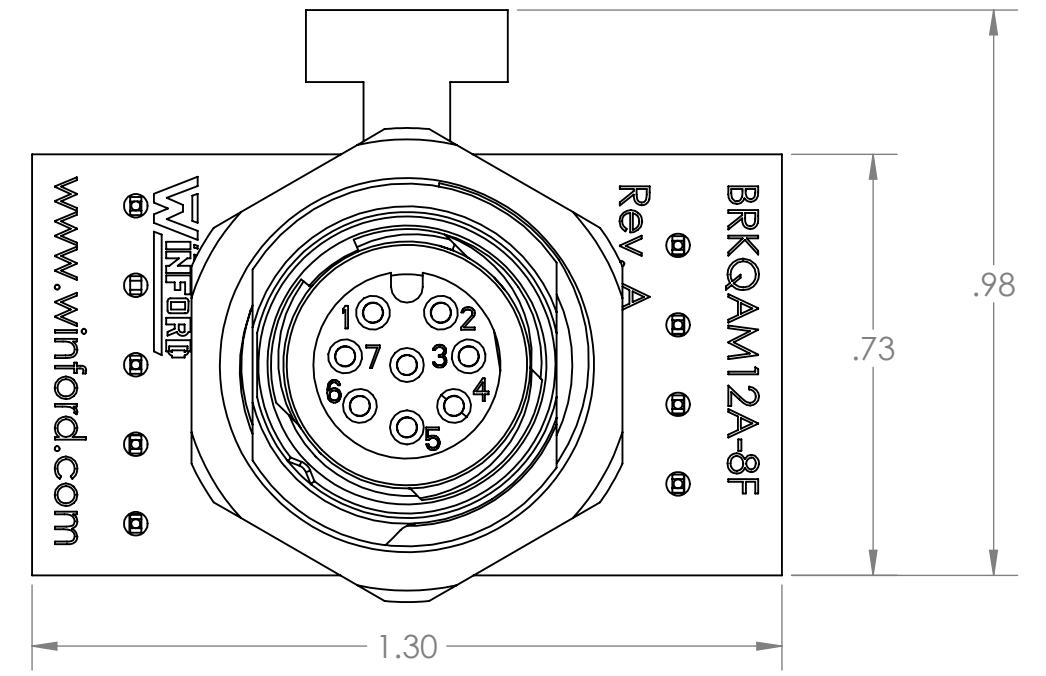
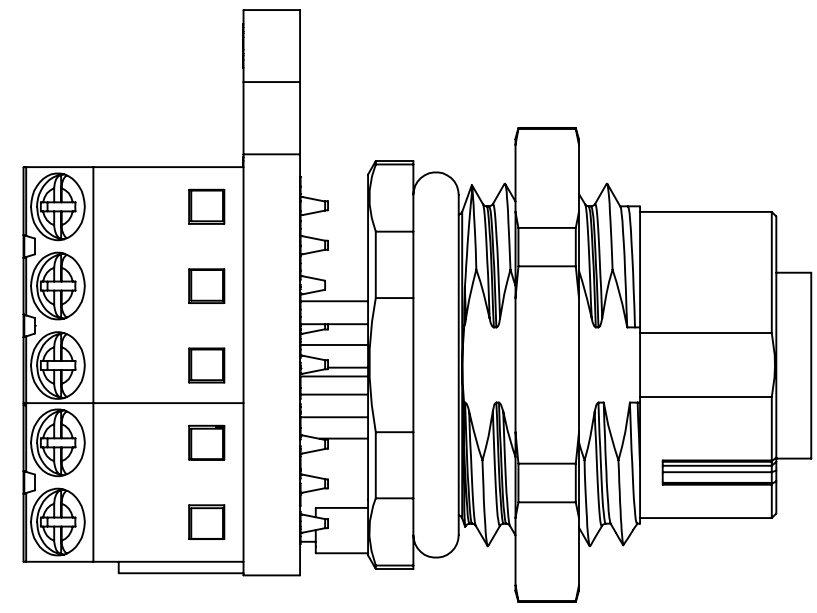
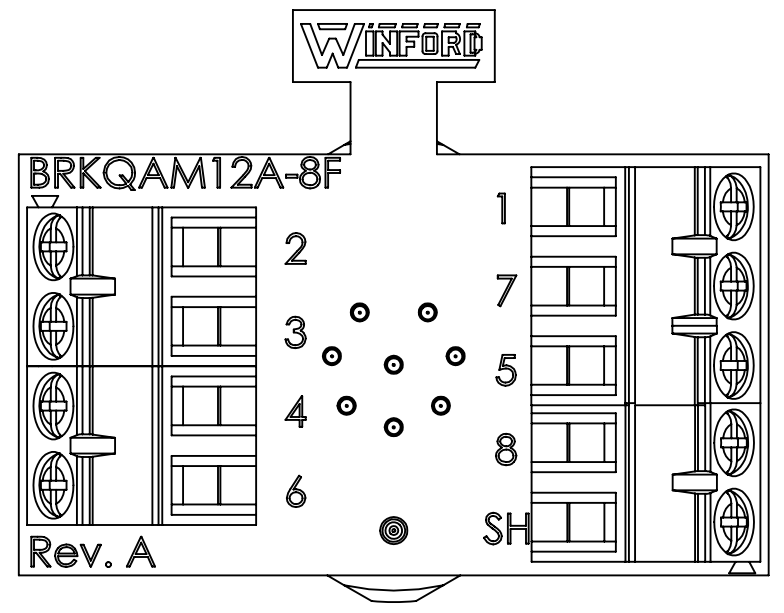
1

B

B

A

A



DIM: INCH	DATE: 10/13/2019	RoHS COMPLIANT: YES	DESCRIPTION:
			M12 8-Pin Female Breakout
WINFORD ENGINEERING, LLC 4561 GARFIELD ROAD AUBURN, MI 48611			PART NUMBER (S)
www.winford.com			BRKQAM12A-8F-A
989-671-9721			PART REVISION
			A

4

3

2

1