

4

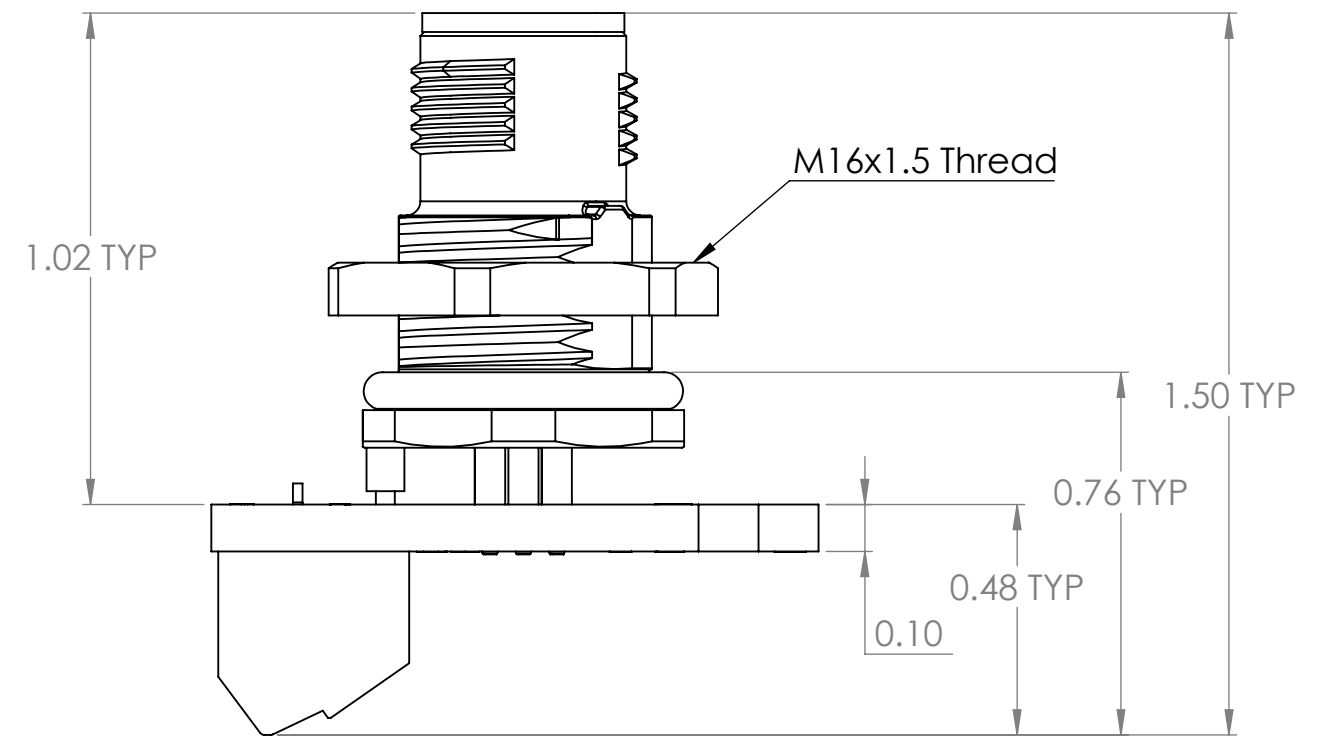
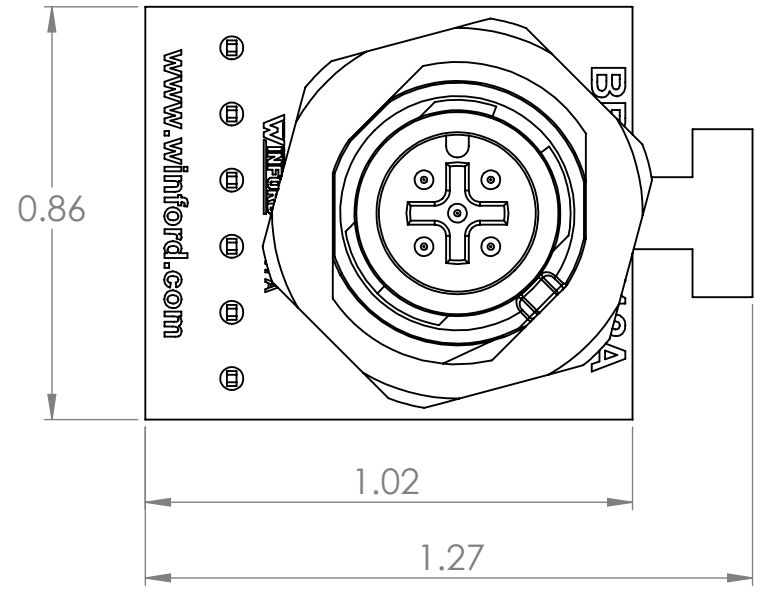
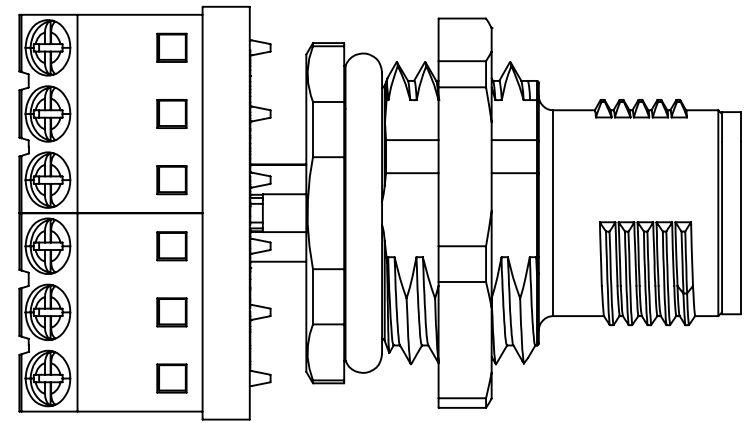
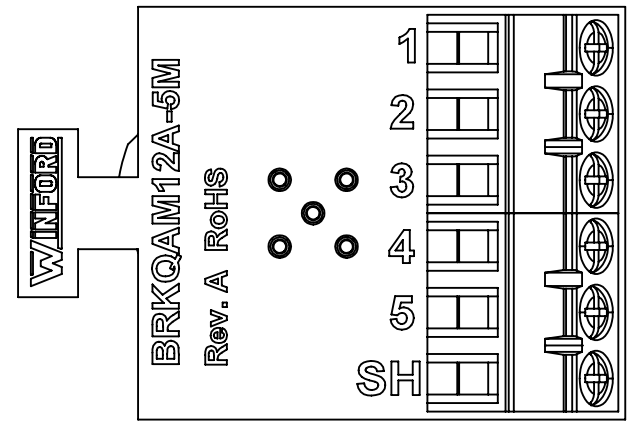
3

2

1

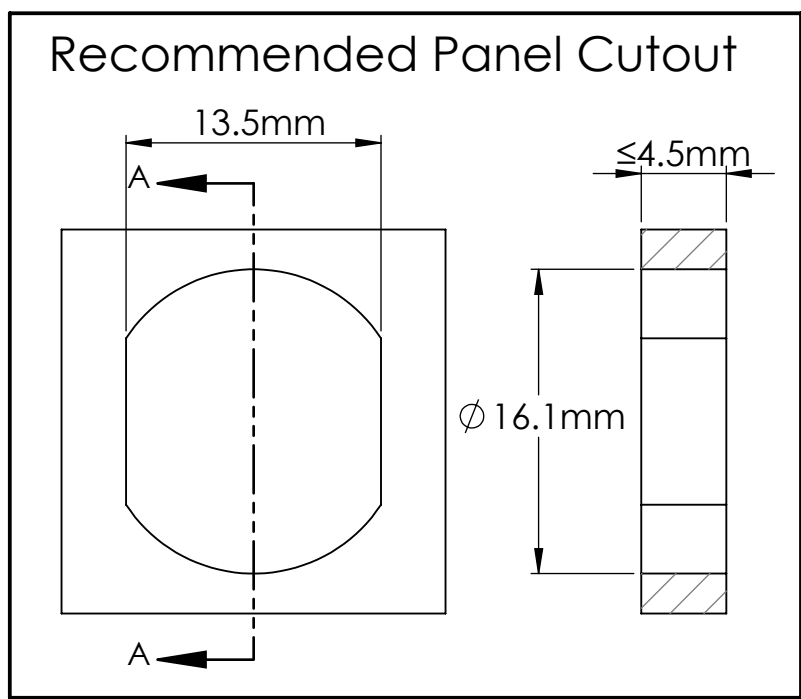
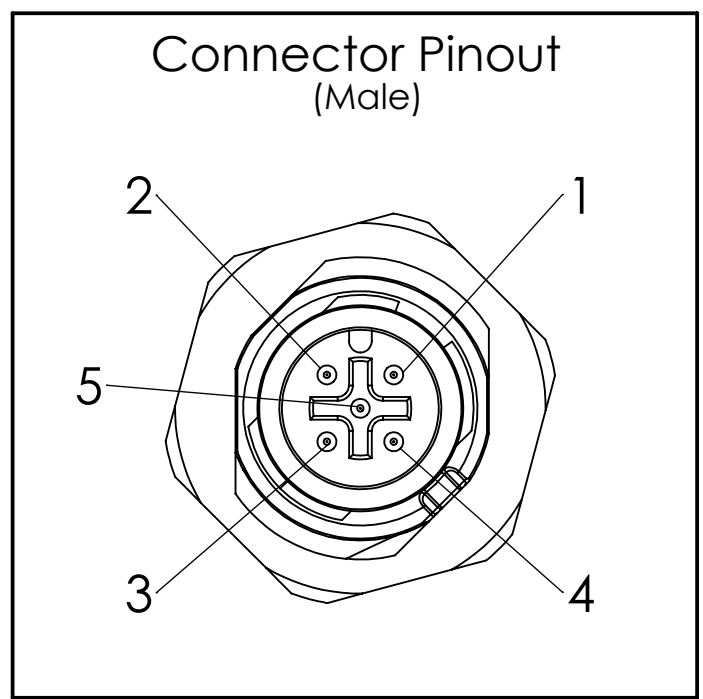
B

B



A

A



4

3

2

1

| | | | |
|--|------------------|---------------------|-------------------------------|
| DIM: INCH | DATE: 02/19/2024 | RoHS COMPLIANT: Yes | DESCRIPTION: |
| | | | M12 5 Pin Male Breakout Board |
| WINFORD ENGINEERING, LLC 4561 GARFIELD ROAD AUBURN, MI 48611 | | | PART NUMBER (S) |
| www.winford.com | | | BRKQAM12A-5M-A |
| 989-671-9721 | | | PART REVISION |
| | | | A |