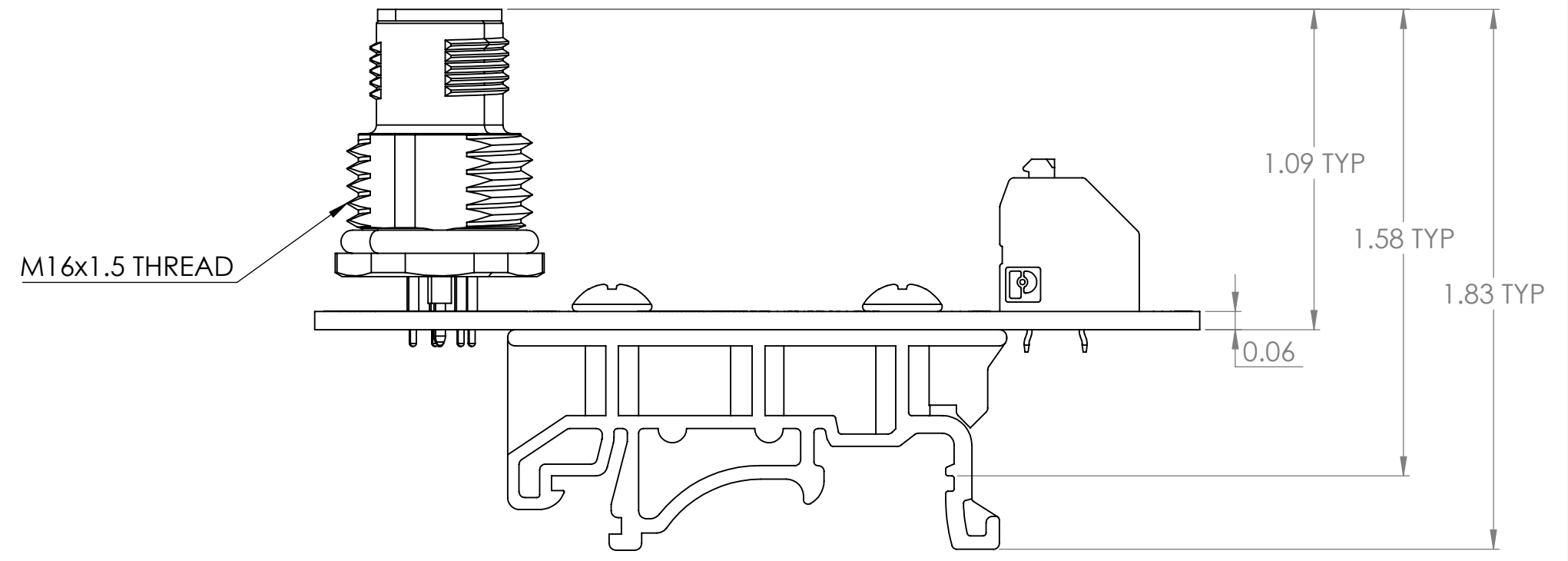
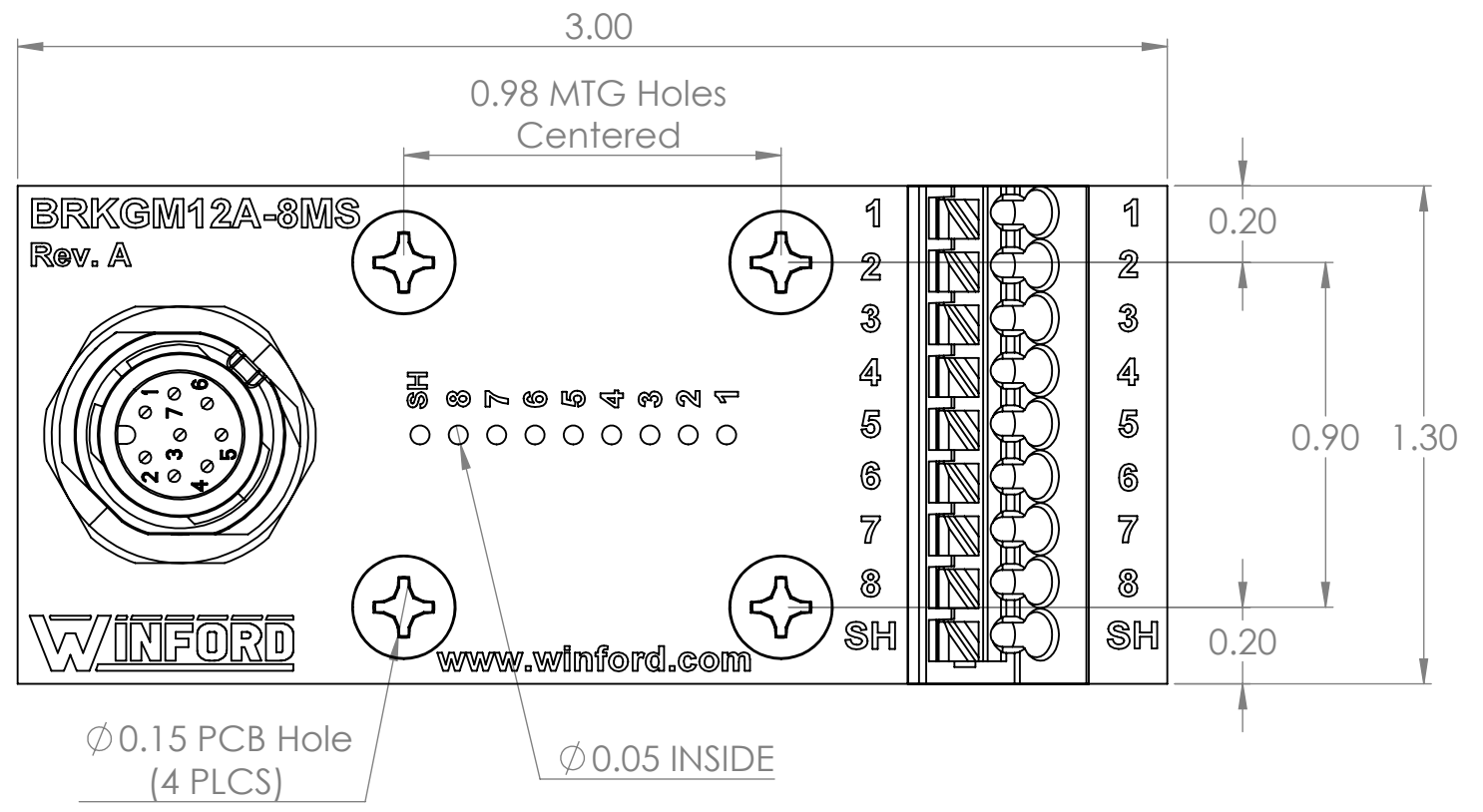
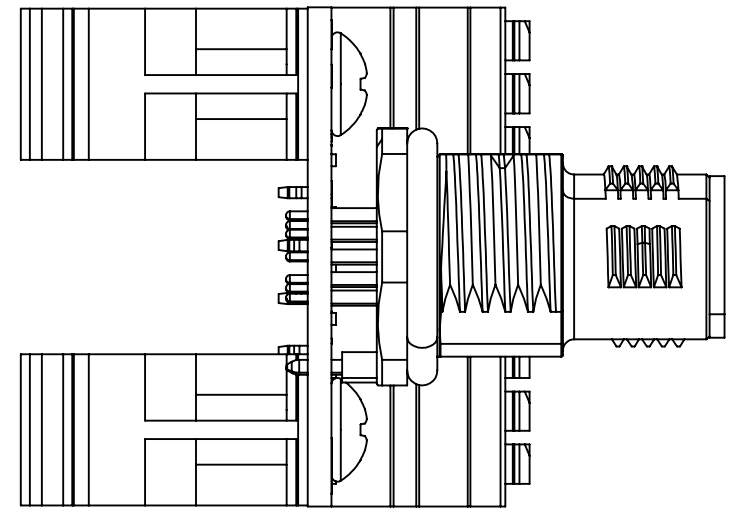


4

3

2

1



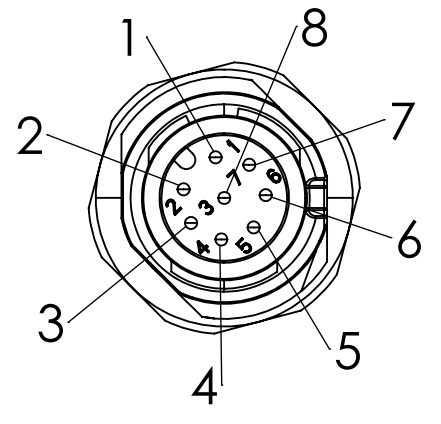
B

B

A

A

Connector Pinout (Male)



4

3

2

1

DIM: INCH	DATE: 1/31/2022	RoHS COMPLIANT: Yes	DESCRIPTION: M12 8 Pin Male Breakout with Spring Terminals	
		WINFORD ENGINEERING, LLC 4561 GARFIELD ROAD AUBURN, MI 48611	PART NUMBER (S) BRKGM12A-8MS-DIN	PART REVISION A
www.winford.com		989-671-9721		