

4

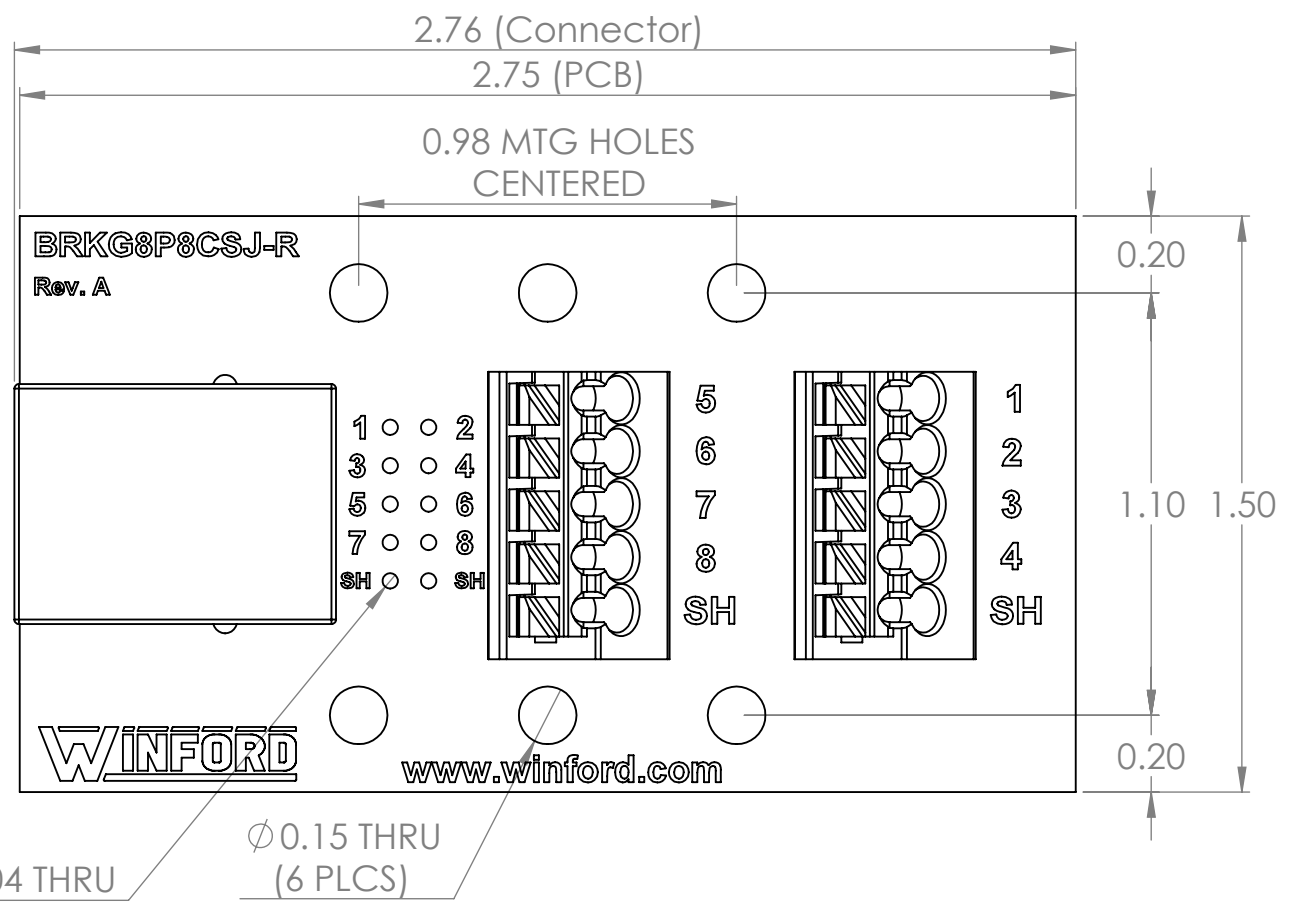
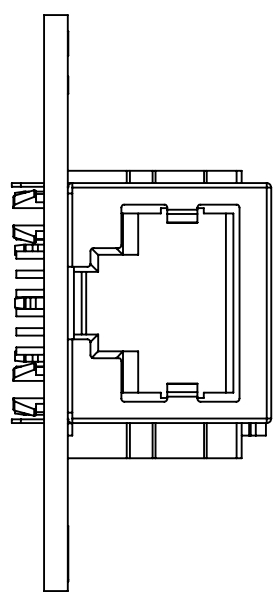
3

2

1

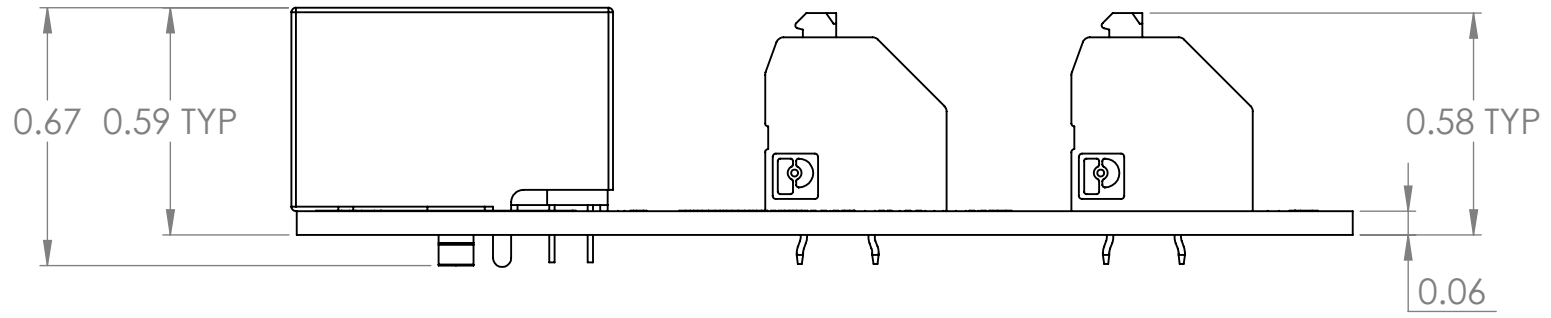
B

B

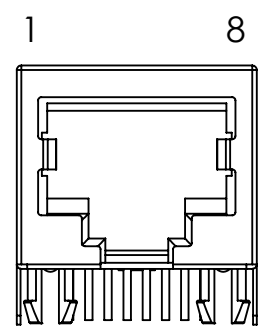



A

A



Connector Pinout



DIM: INCH	DATE: 02/13/2021	RoHS COMPLIANT: Yes	DESCRIPTION:
 WINFORD ENGINEERING, LLC 4561 GARFIELD ROAD AUBURN, MI 48611			RJ45 Spring Terminal Breakout Board
www.winford.com		989-671-9721	PART NUMBER (S) BRKG8P8CSJ-R-N
			PART REVISION A

4

3

2

1