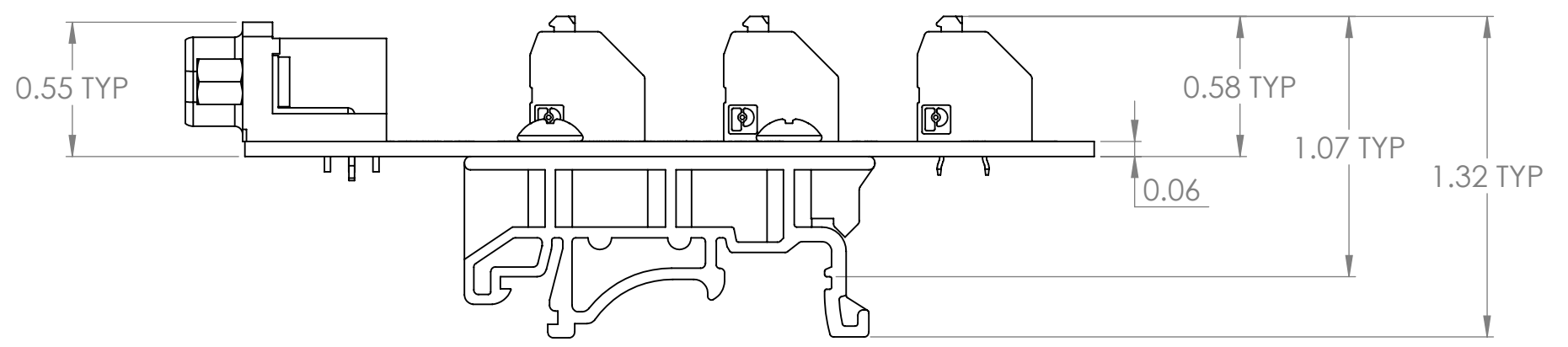
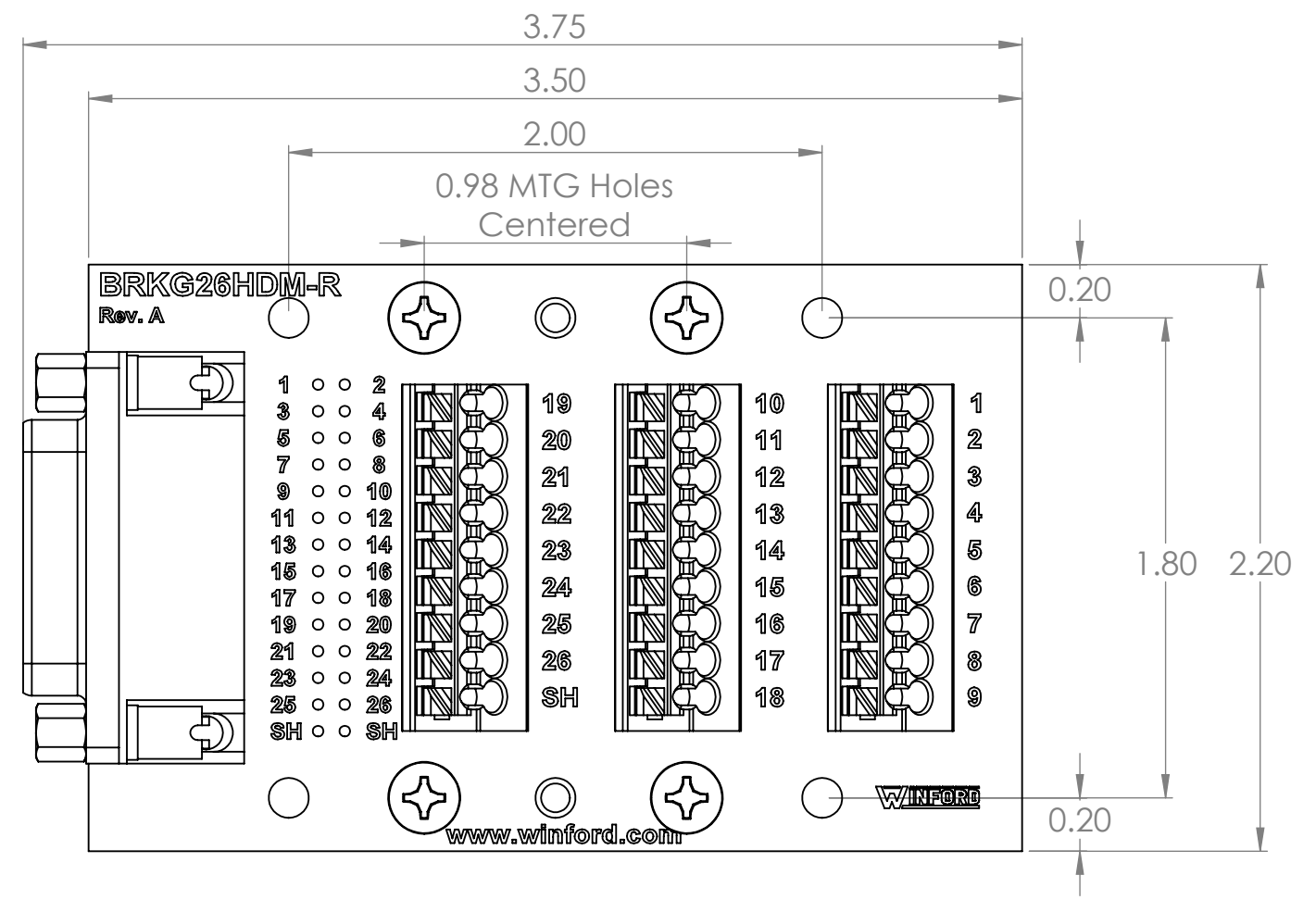
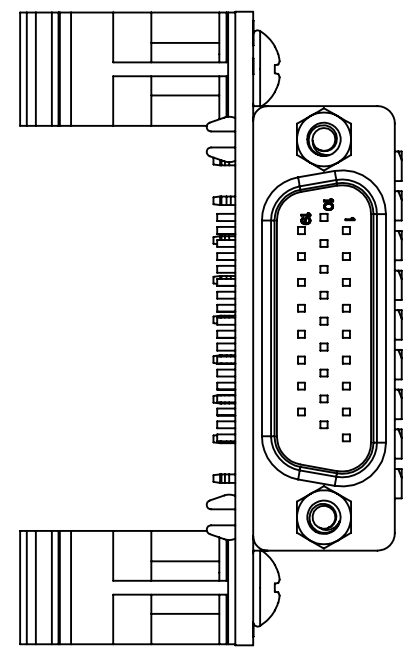


4

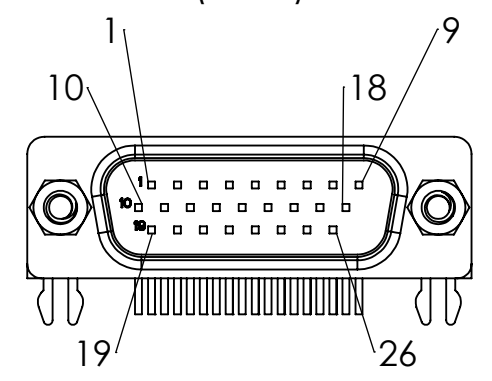
3


2

1



Connector Pinout (Male)



DIM: INCH	DATE: 08/20/2021	RoHS COMPLIANT: Yes	DESCRIPTION: DB26HD Male Breakout with Screw Terminals
 WINFORD ENGINEERING, LLC 4561 GARFIELD ROAD AUBURN, MI 48611			PART NUMBER (S) BRKG26HDM-R-DIN
www.winford.com		989-671-9721	PART REVISION A

4

3

2

1

B

B

A

A