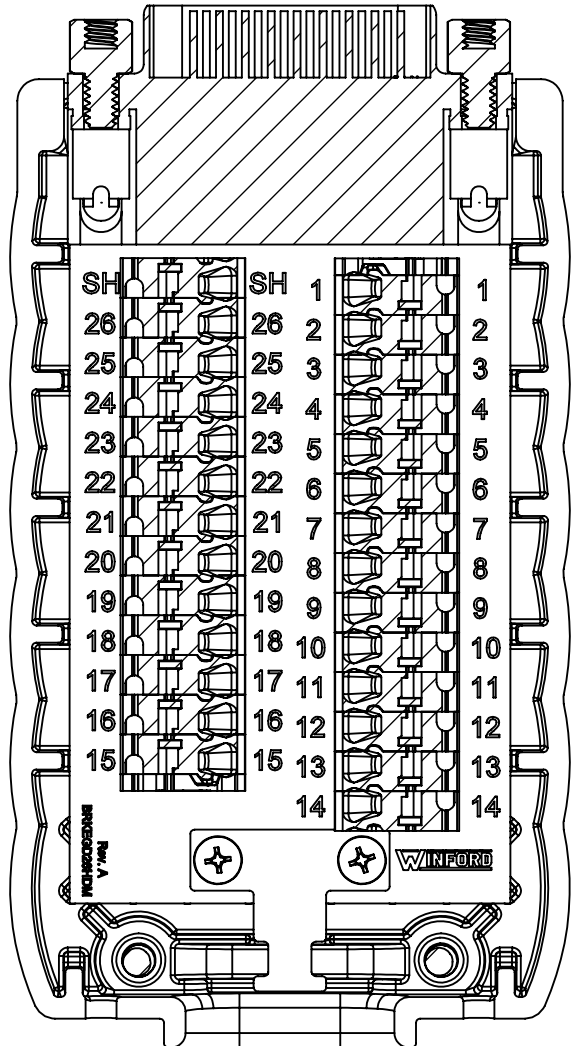
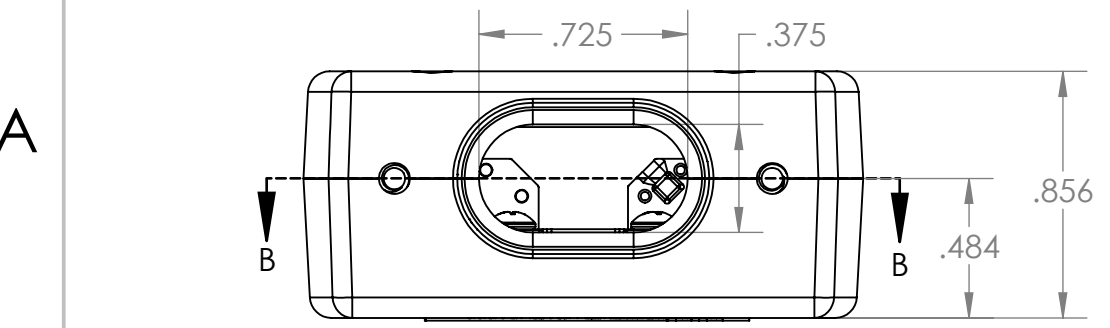


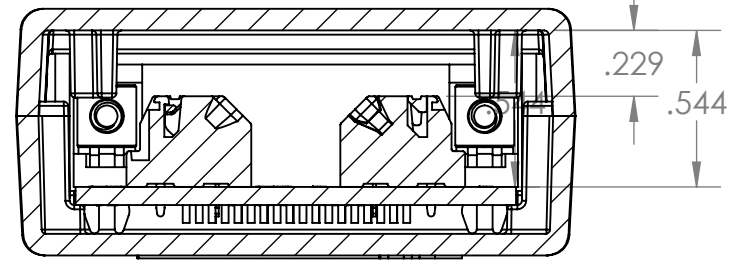
SECTION A-A




SECTION B-B



SECTION C-C



.229
.544

DIM: INCH	DATE: 01/12/2022	RoHS COMPLIANT: YES	DESCRIPTION:
 WINFORD ENGINEERING, LLC 4561 GARFIELD ROAD AUBURN, MI 48611			DB26HD Breakout Board W/ Enclosure
www.winford.com		989-671-9721	PART NUMBER (S)
			BRKEGD26HDM-R
			PART REVISION
			A