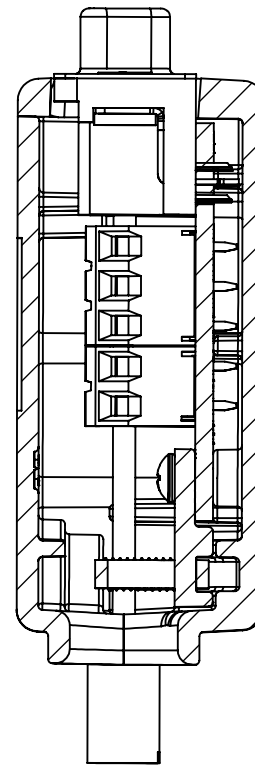
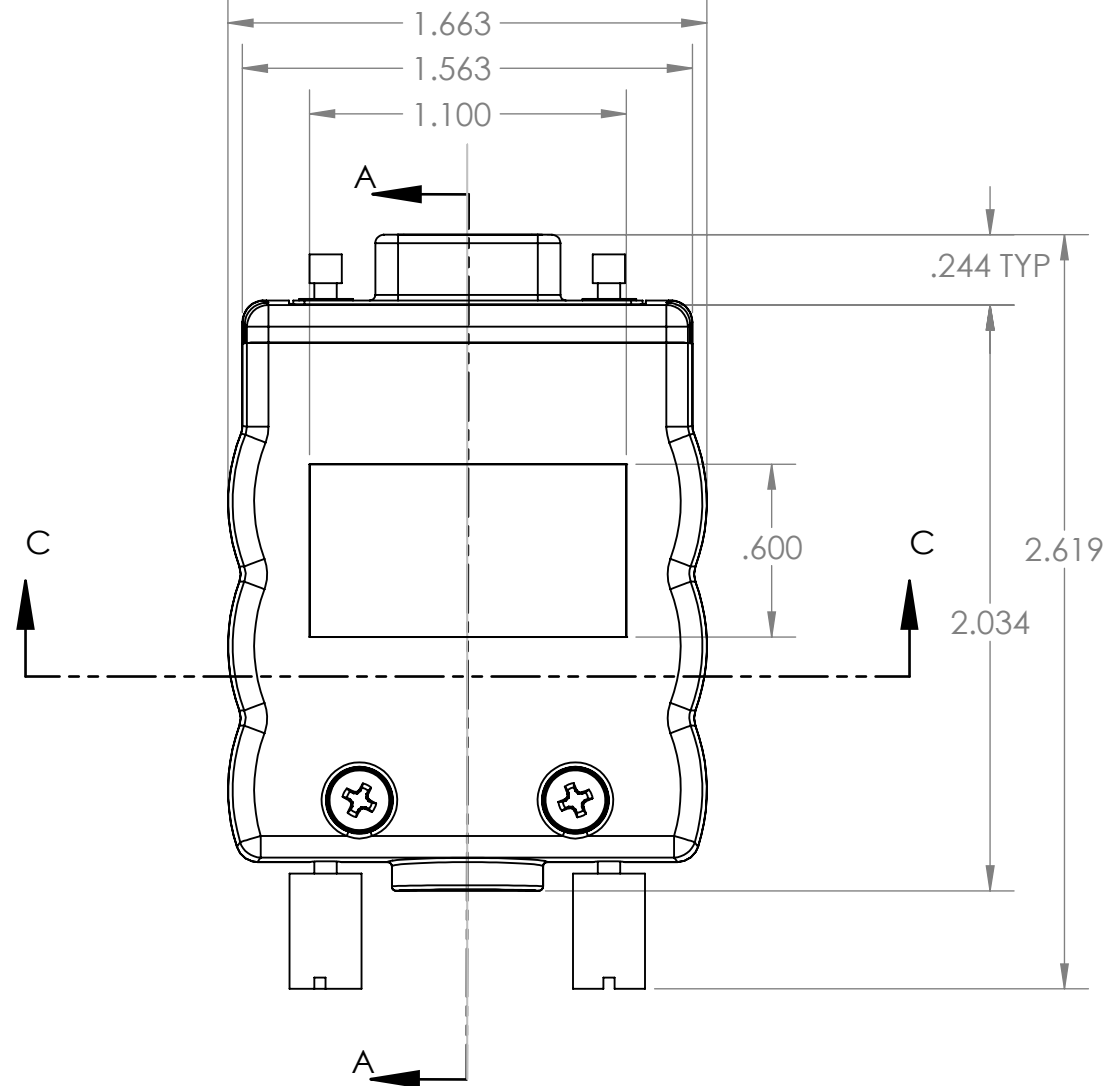


4

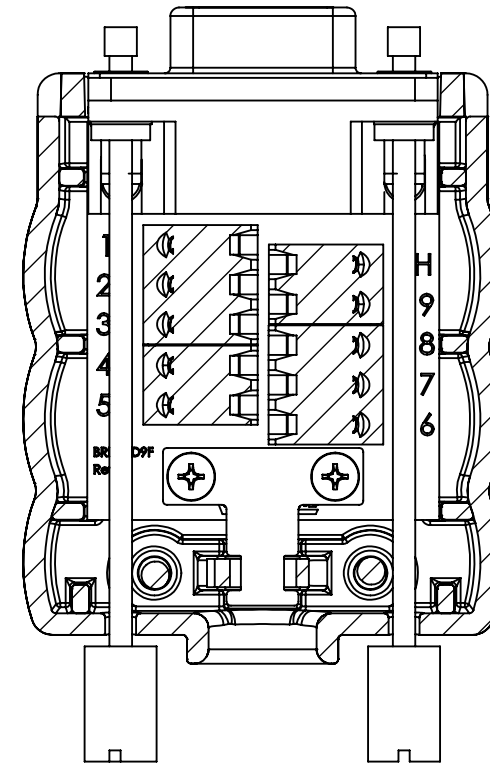
3

2

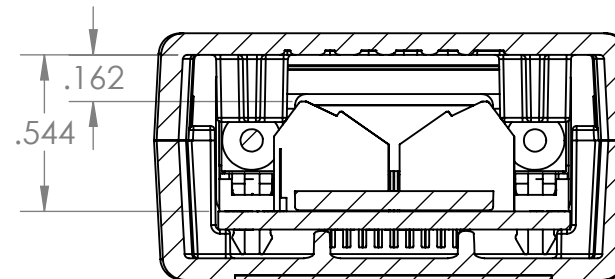
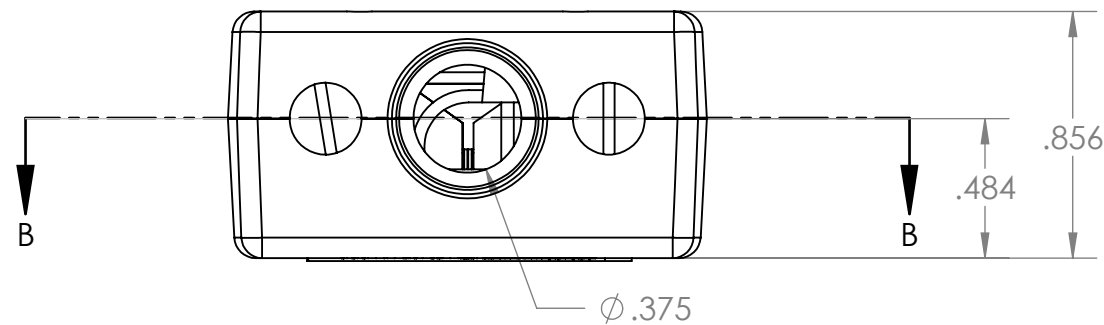
1




SECTION A-A



SECTION B-B



SECTION C-C

DIM: INCH	DATE: 10/15/2018	RoHS COMPLIANT: YES	DESCRIPTION:
 WINFORD ENGINEERING, LLC 4561 GARFIELD ROAD AUBURN, MI 48611			DB9 Female Breakout Board w/ enclosure
www.winford.com		989-671-9721	PART NUMBER (S)
			BRKEAD9F-T
			PART REVISION
			A

4

3

2

1

B

B

A

A