

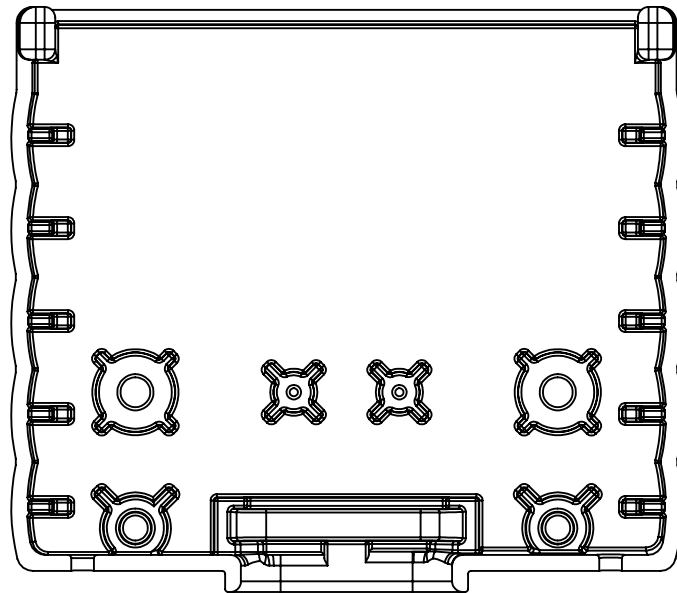
4

3

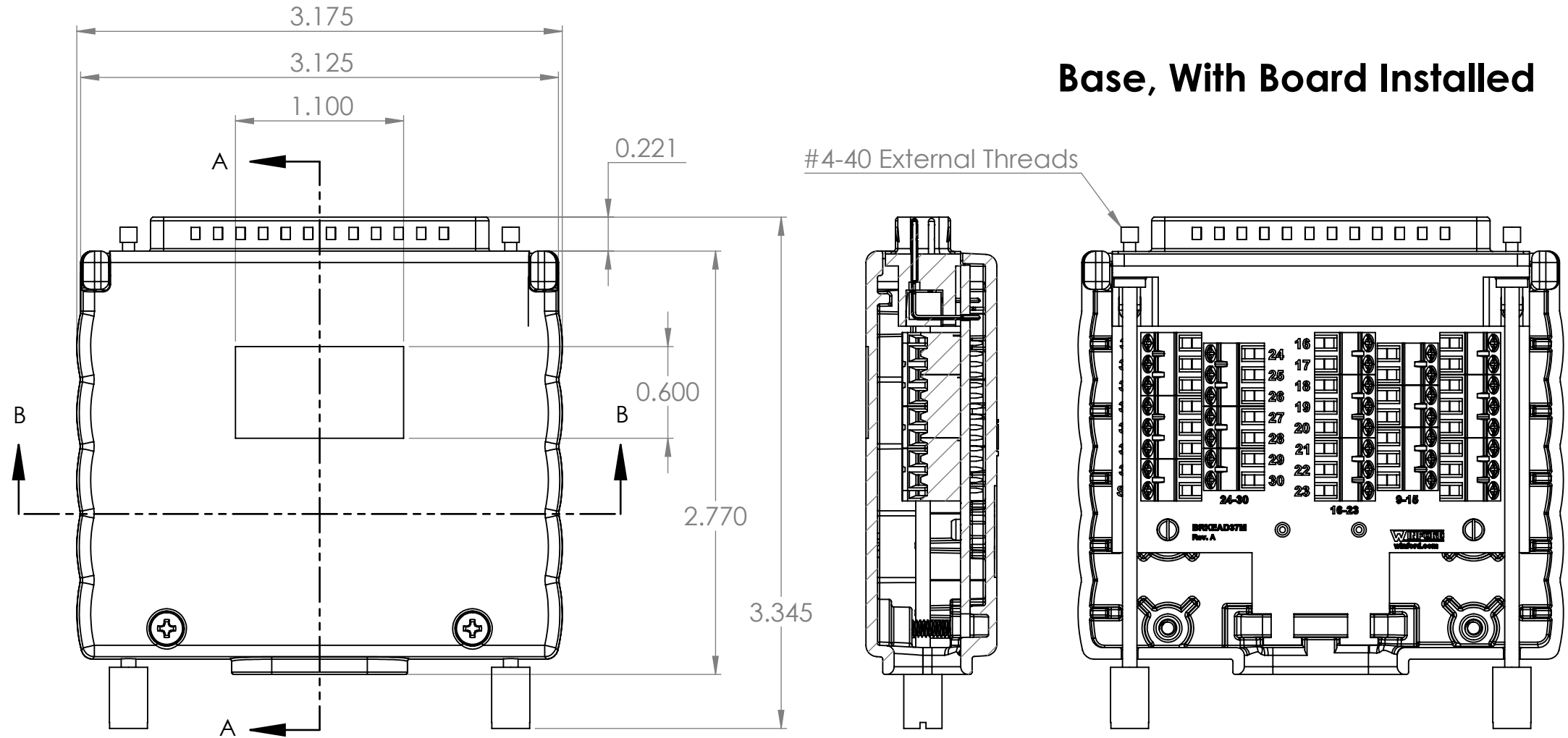
2

1

Base, Without Board Installed



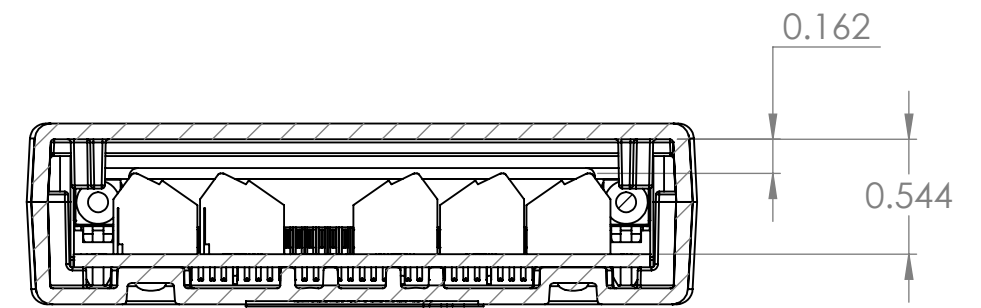
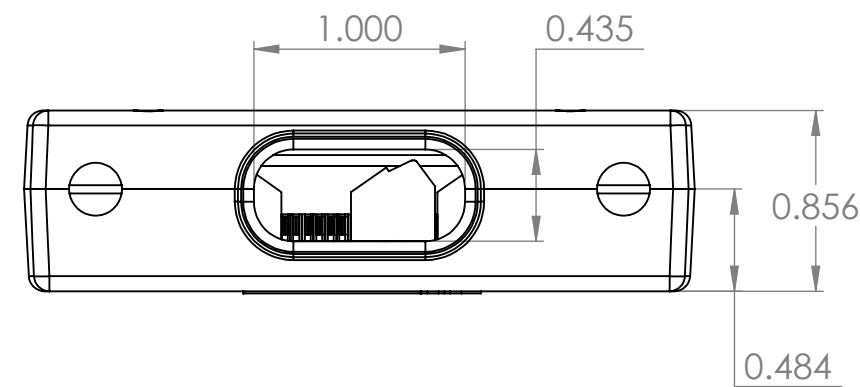
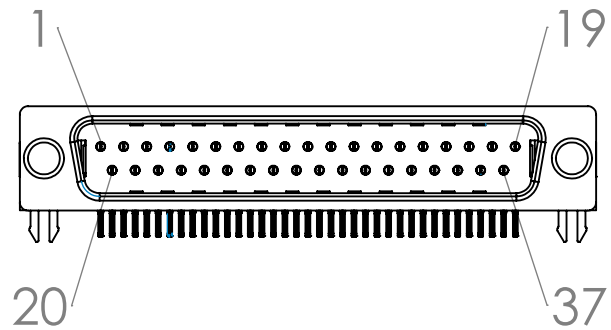
Base, With Board Installed




SECTION A-A

SECTION B-B

Connector Pinout (Male)



DIM: INCH	DATE: 08/28/2025	RoHS COMPLIANT: Yes	DESCRIPTION: DB37 Breakout Board W/ Enclosure	
		WINFORD ENGINEERING, LLC 4561 GARFIELD ROAD AUBURN, MI 48611	PART NUMBER (S) BRKEAD37M-T	PART REVISION A
www.winford.com		989-671-9721		

4

3

2

1

B

B

A

A