

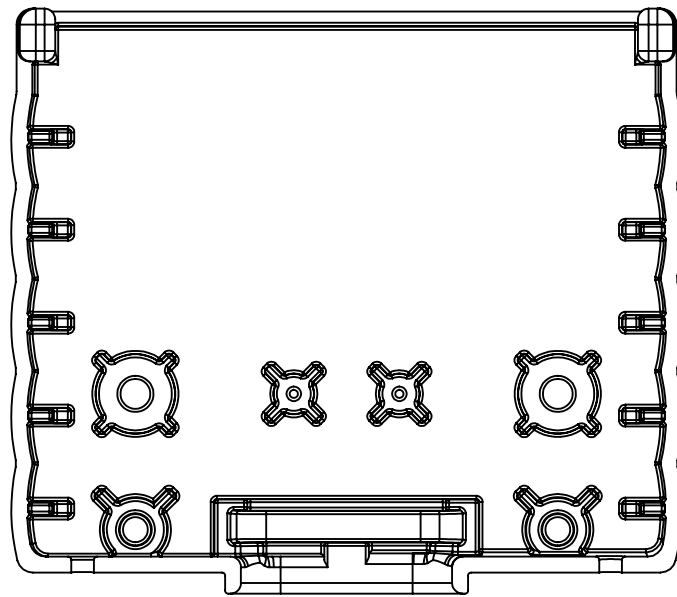
4

3

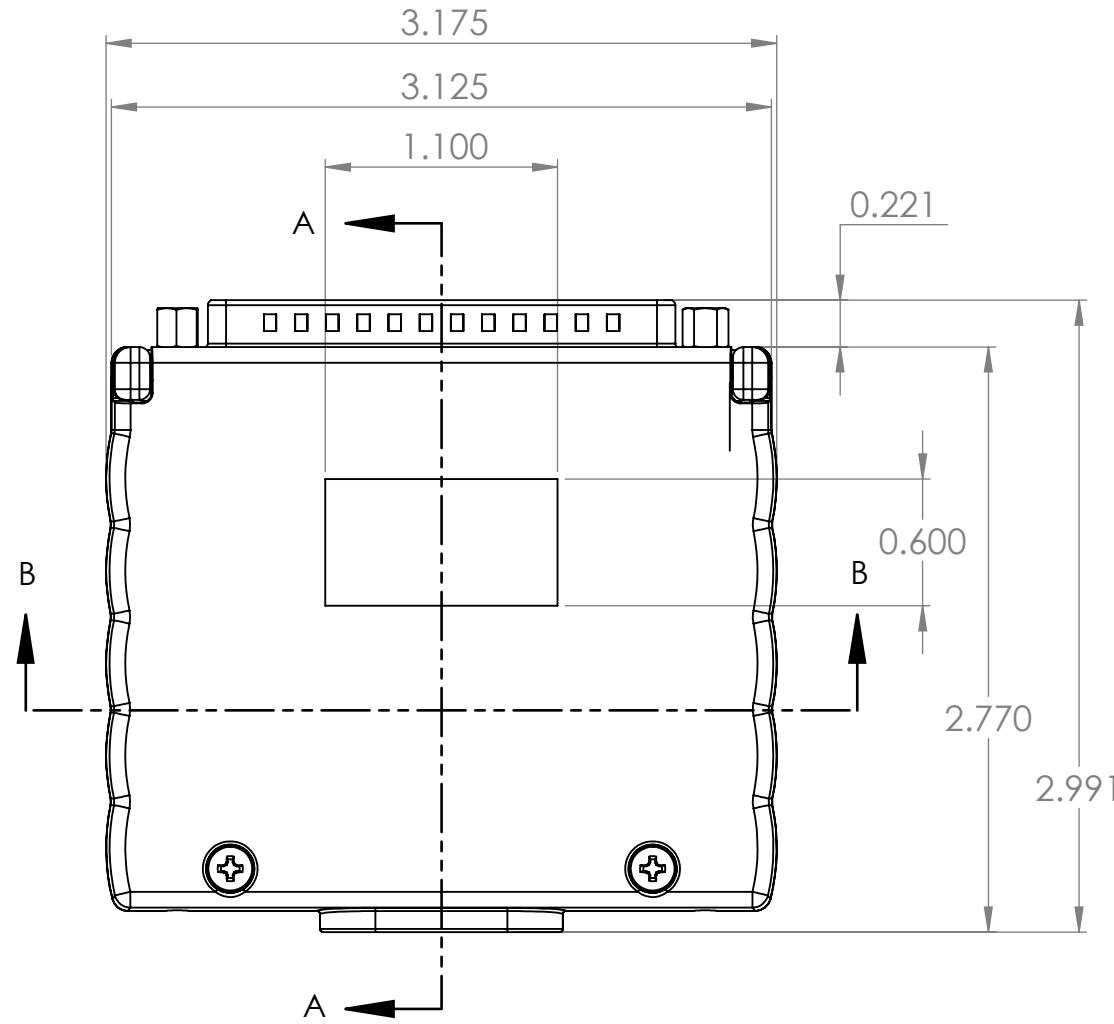
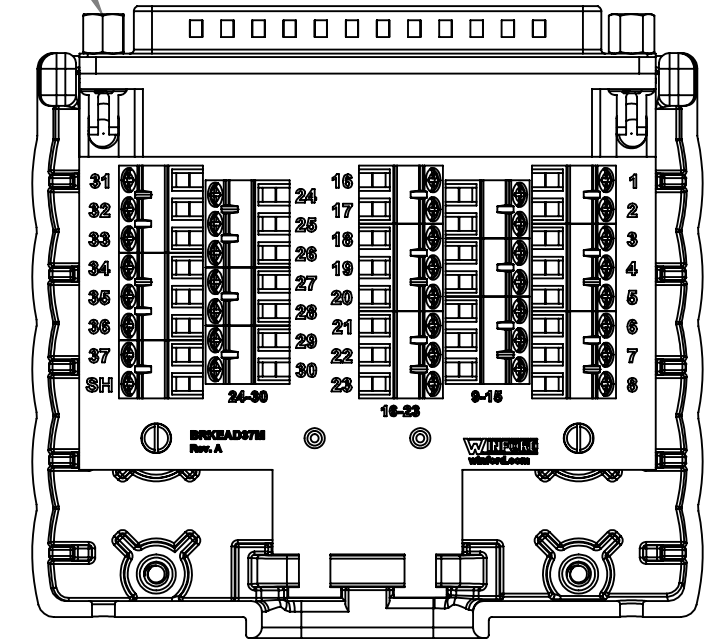
2

1

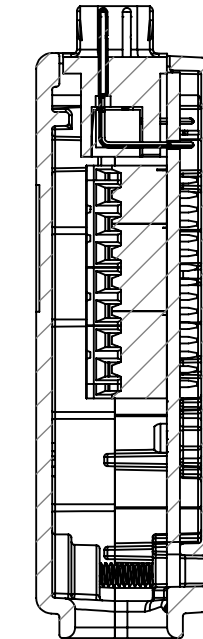
Base, Without Board Installed



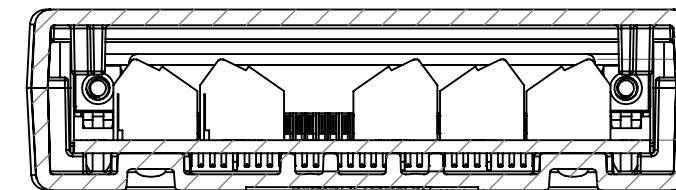
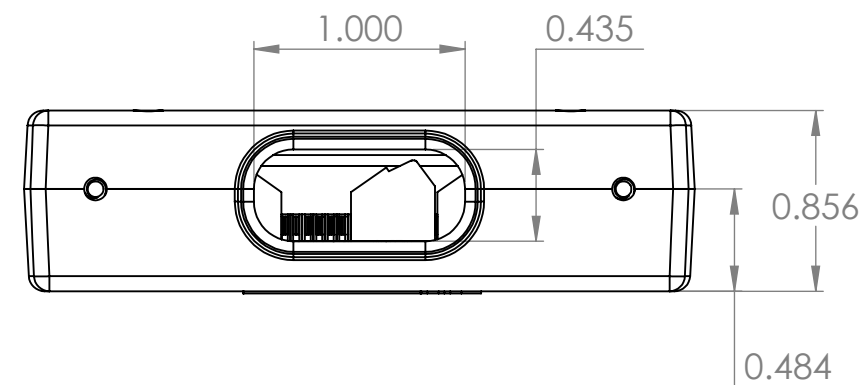
Base, With Board Installed



#4-40 Internal Threads

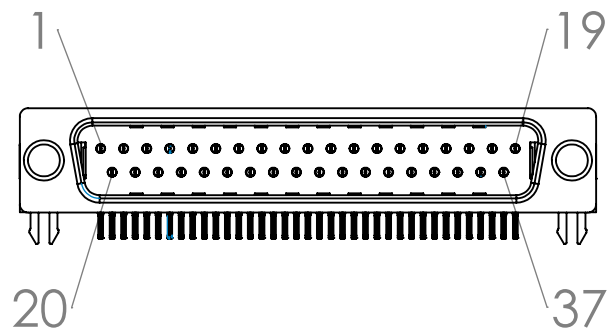


SECTION A-A



SECTION B-B

Connector Pinout (Male)



DIM: INCH	DATE: 08/28/2025	RoHS COMPLIANT: Yes
WINFORD		
WINFORD ENGINEERING, LLC 4561 GARFIELD ROAD AUBURN, MI 48611		
www.winford.com	989-671-9721	

DESCRIPTION: DB37 Breakout Board W/ Enclosure	
PART NUMBER (S) BRKEAD37M-R	PART REVISION A

4

3

2

1

B

B

A

A