

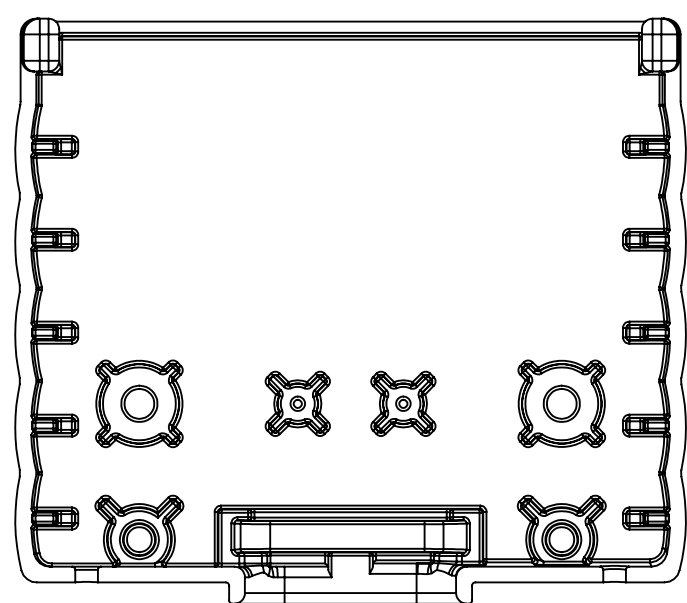
4

3

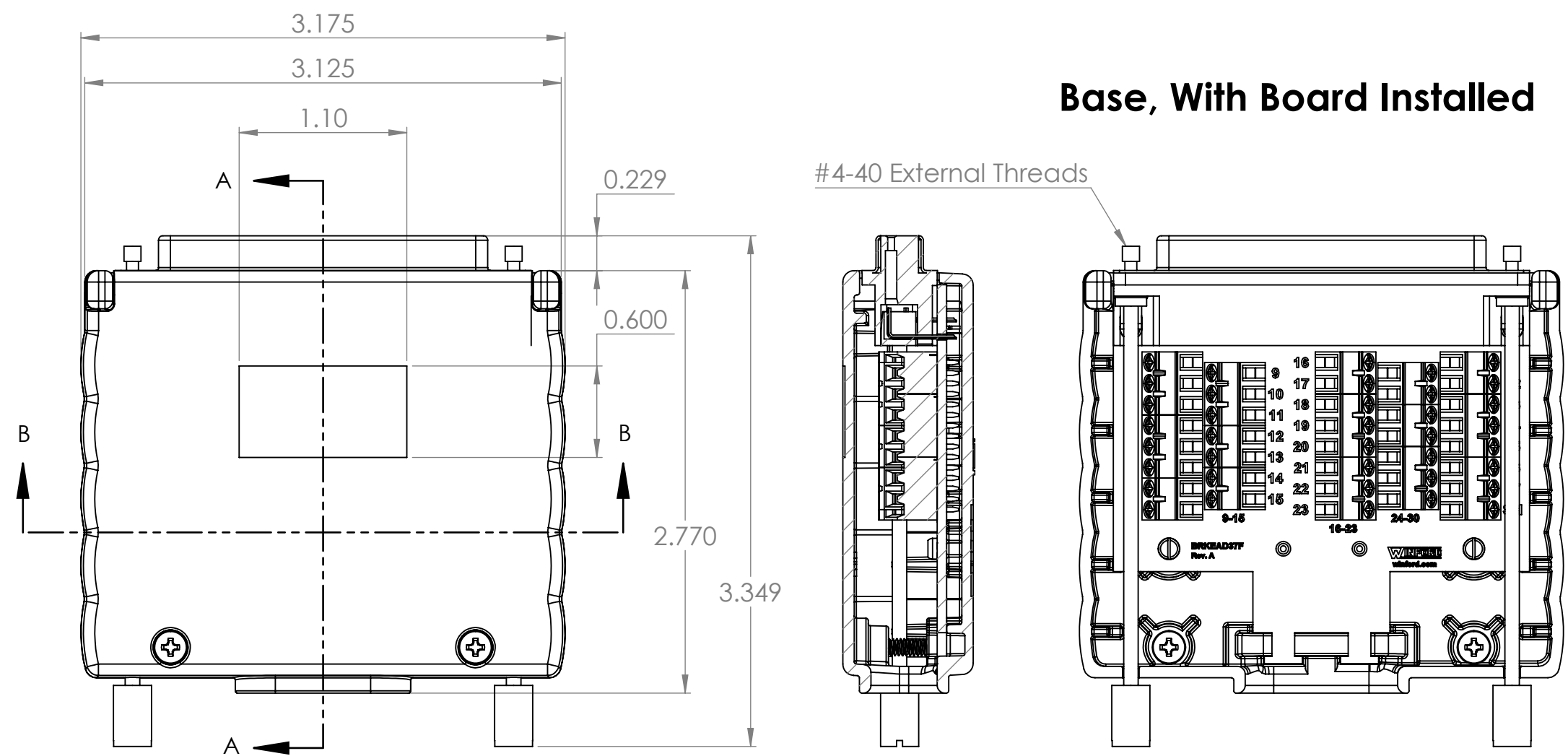
2

1

Base, Without Board Installed

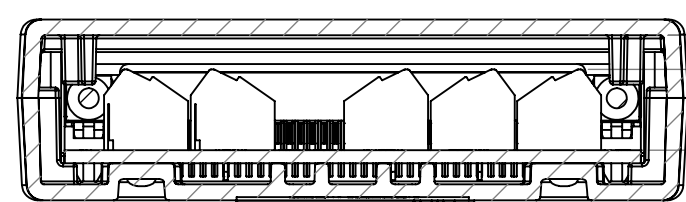
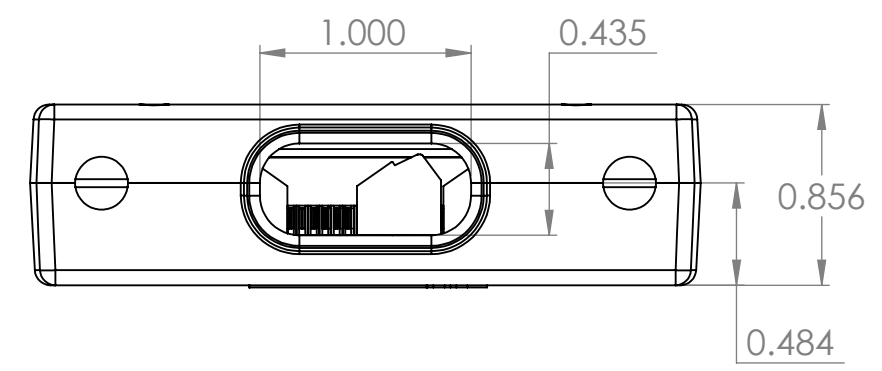
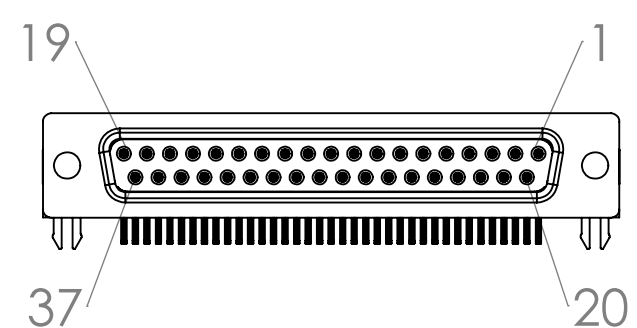


Base, With Board Installed

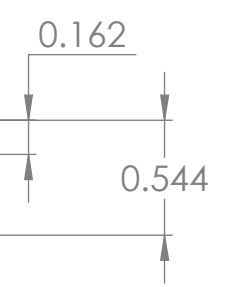



SECTION A-A

Connector Pinout (Female)



SECTION B-B



DIM: INCH	DATE: 08/15/2025	RoHS COMPLIANT: Yes	DESCRIPTION:
 WINFORD ENGINEERING, LLC 4561 GARFIELD ROAD AUBURN, MI 48611			DB37 Breakout Board W/ Enclosure
www.winford.com		989-671-9721	PART NUMBER (S)
			BRKEAD37F-T
			PART REVISION
			A

4

3

2

1