

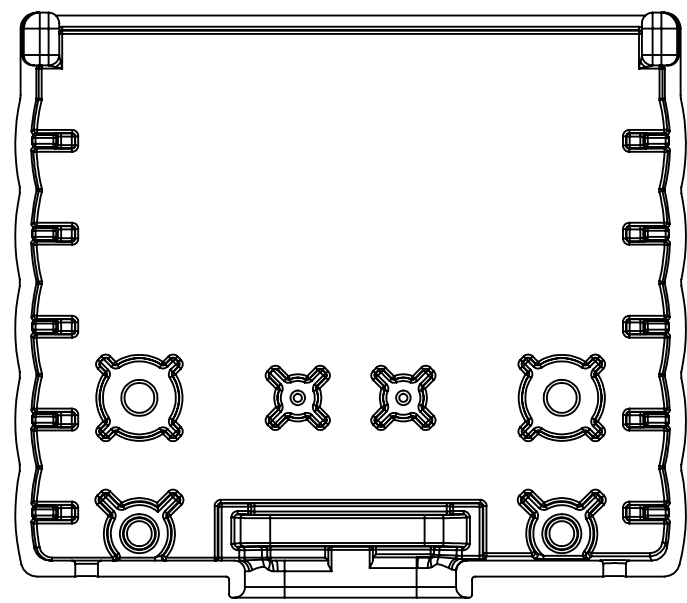
4

3

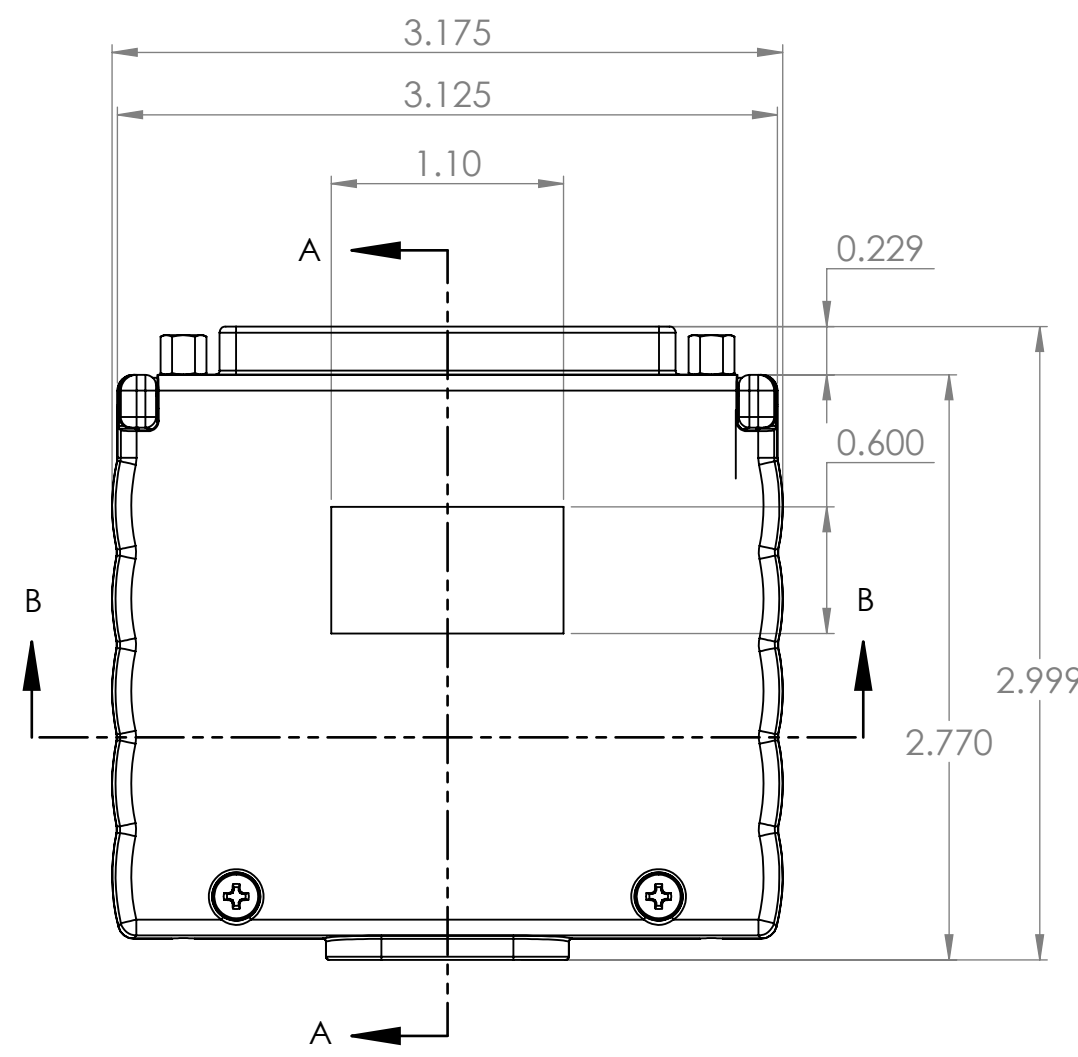
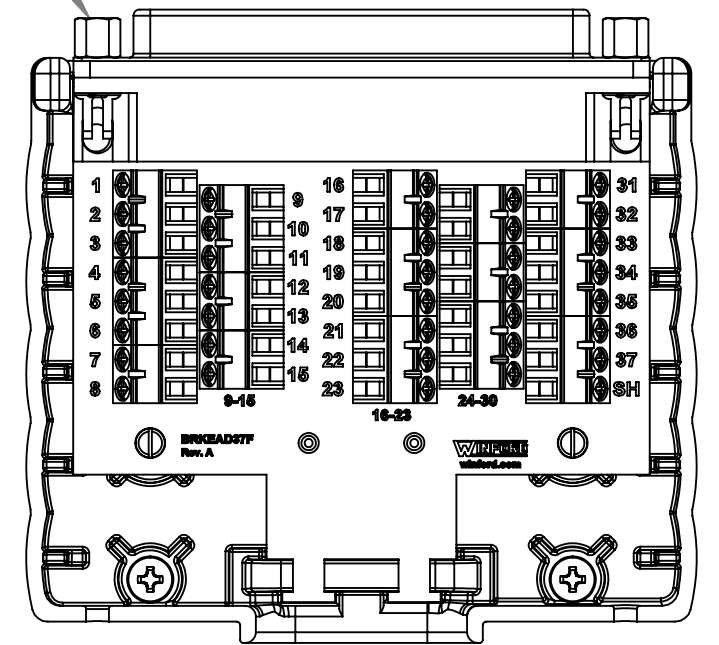
2

1

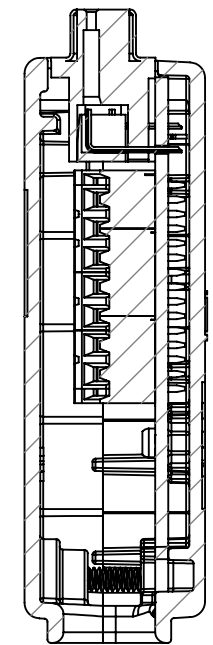
### Base, Without Board Installed



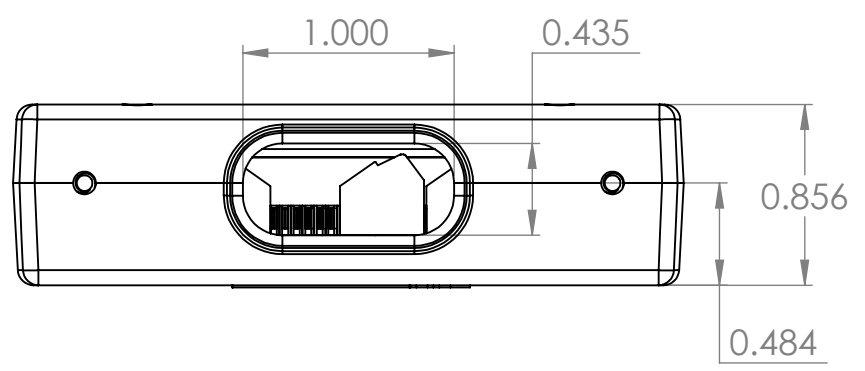
### Base, With Board Installed



#4-40 Internal Threads

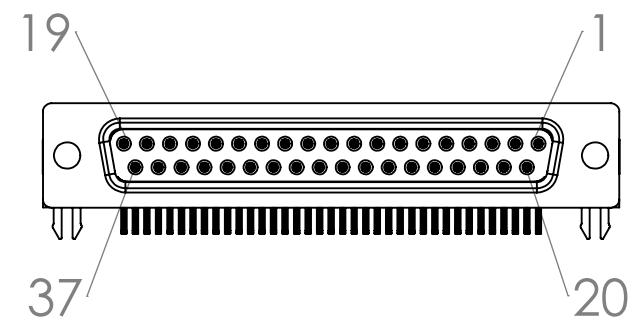



SECTION A-A



SECTION B-B

### Connector Pinout (Female)



DIM: INCH	DATE: 08/15/2025	RoHS COMPLIANT: Yes	DESCRIPTION:
 WINFORD ENGINEERING, LLC 4561 GARFIELD ROAD AUBURN, MI 48611			DB37 Breakout Board W/ Enclosure
www.winford.com		989-671-9721	PART NUMBER (S)
			BRKEAD37F-R
			PART REVISION
			A

4

3

2

1

B

B

A

A