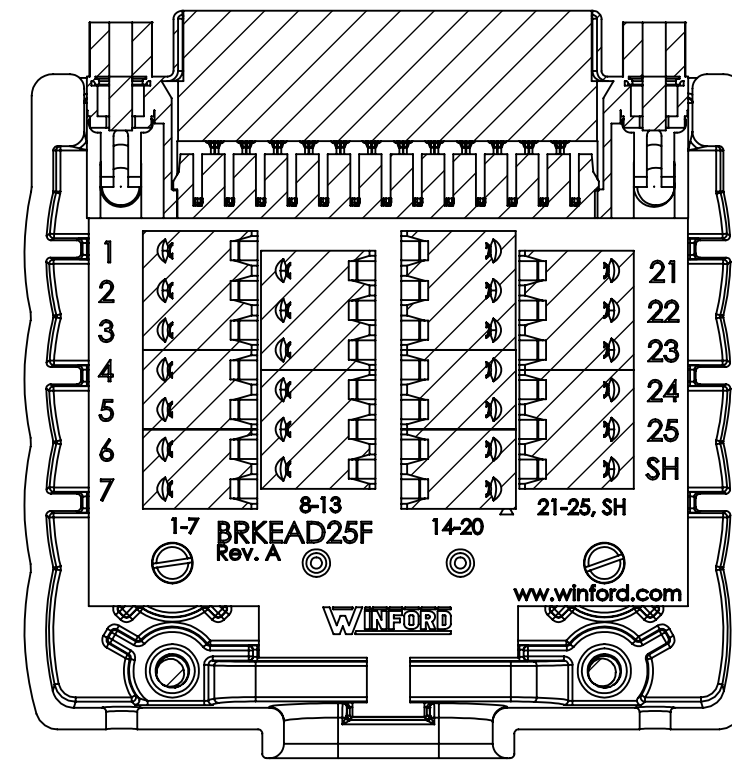
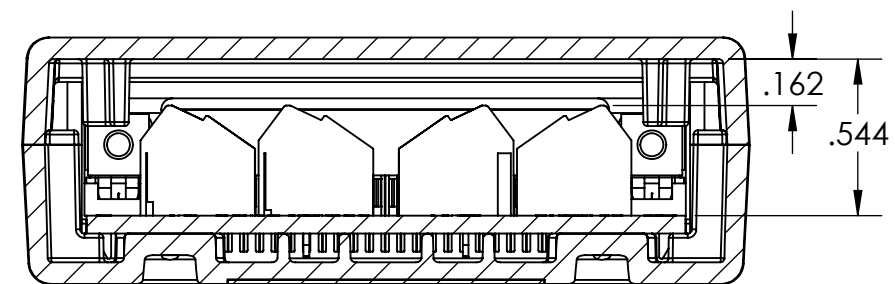
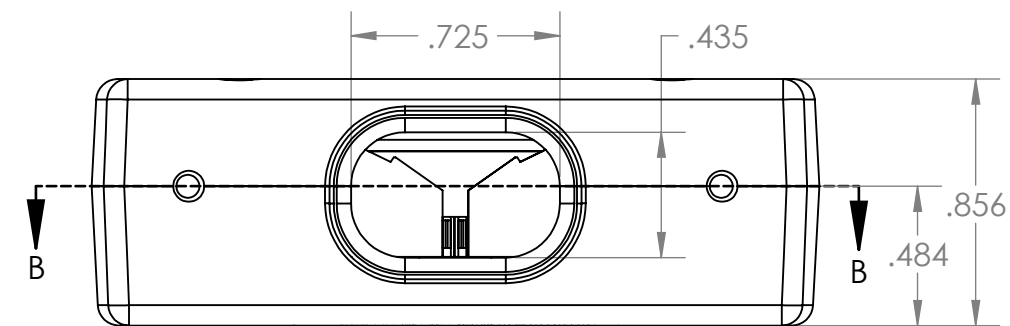



SECTION A-A



SECTION B-B



SECTION C-C

DIM: INCH	DATE: 01/11/2022	RoHS COMPLIANT: YES	DESCRIPTION: DB25 Breakout Board W/ Enclosure
 WINFORD ENGINEERING, LLC 4561 GARFIELD ROAD AUBURN, MI 48611		PART NUMBER (S) BRKEAD25F-R	PART REVISION A
www.winford.com		989-671-9721	