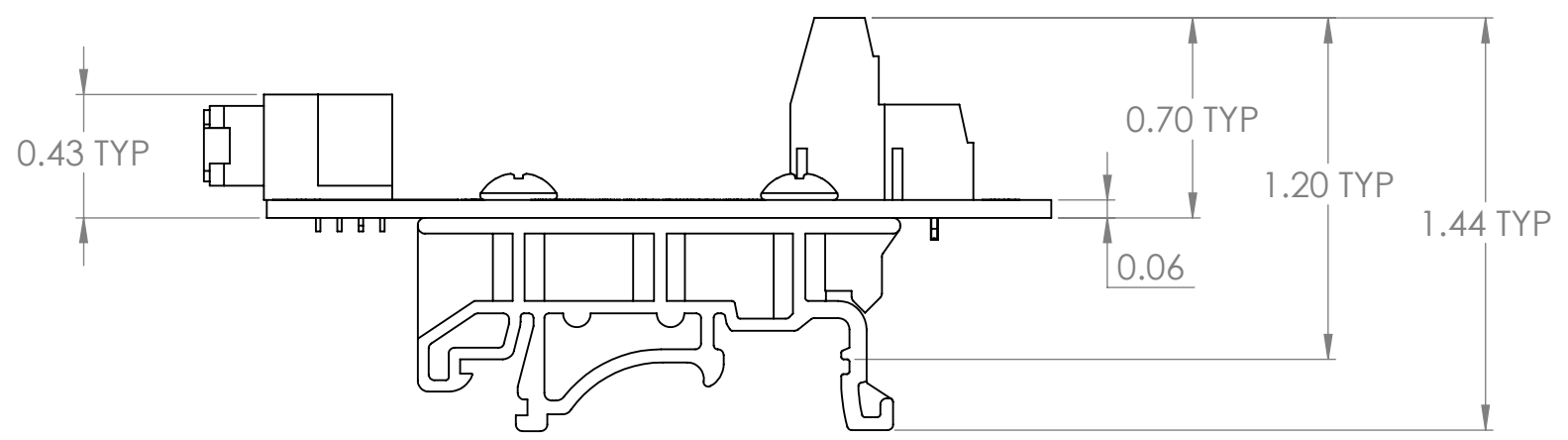
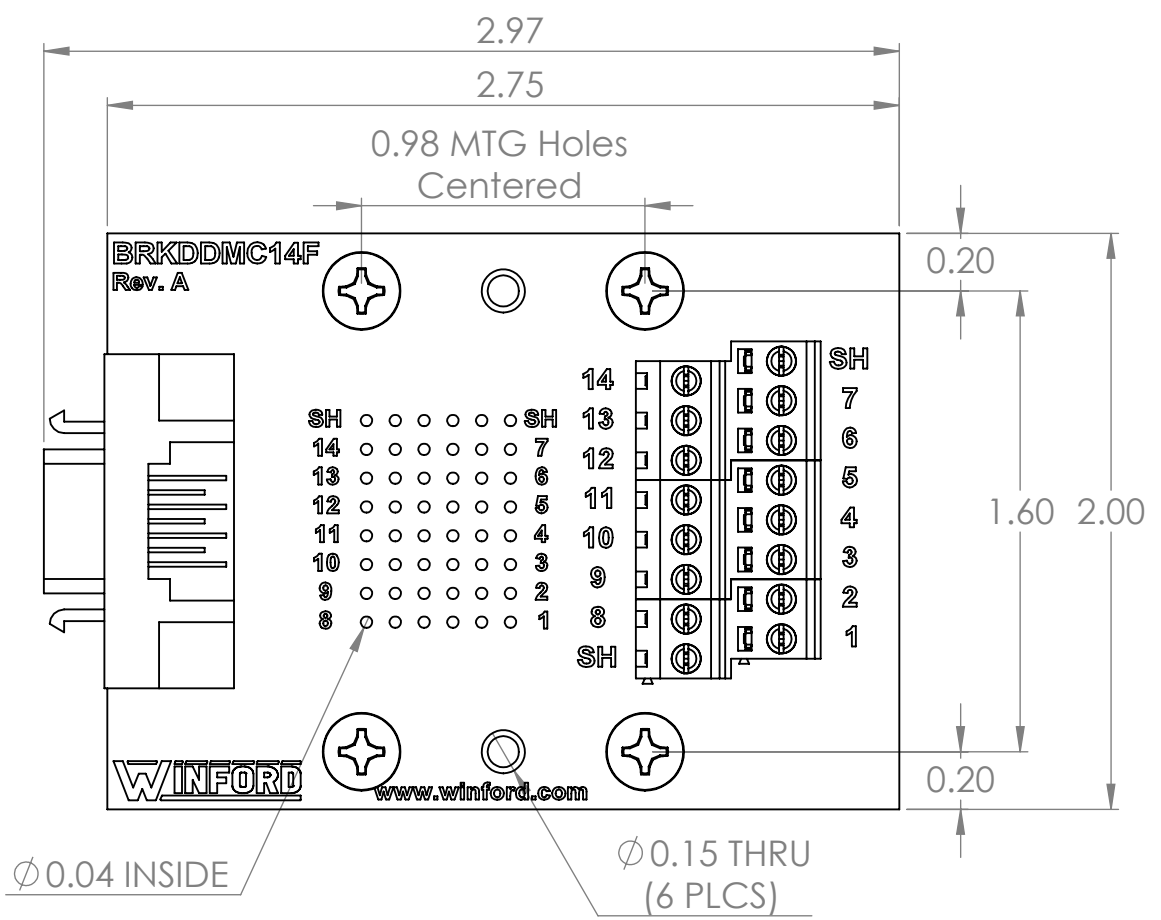
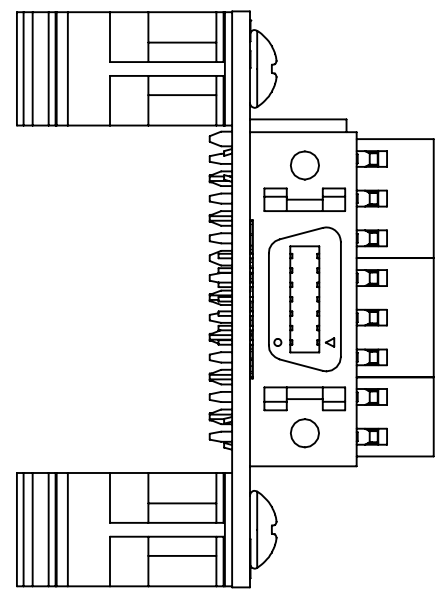


4

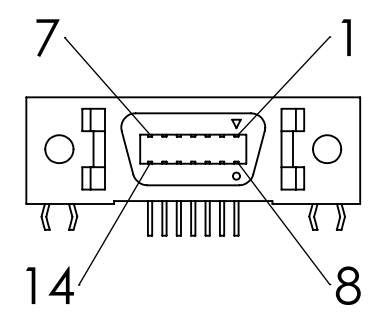
3

2

1



Connector Pinout
(Female)



DIM: INCH	DATE: 09/01/2023	RoHS COMPLIANT: Yes	DESCRIPTION:	
 WINFORD ENGINEERING, LLC 4561 GARFIELD ROAD AUBURN, MI 48611			Mini Delta Ribbon 14 Pin Breakout	
			PART NUMBER (S)	PART REVISION
www.winford.com			989-671-9721	BRKDDMC14F-R-DIN A

4

3

2

1