

4

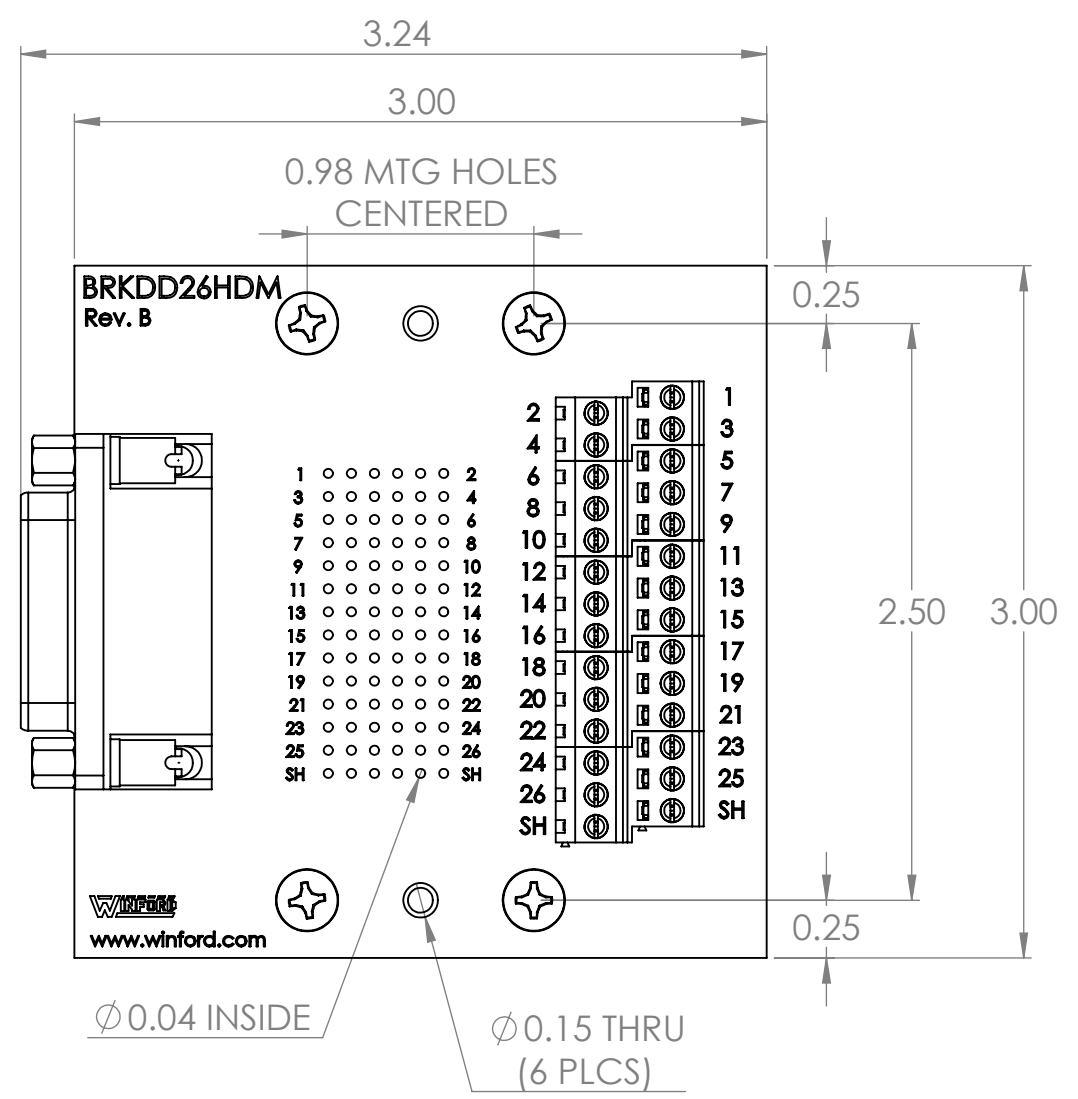
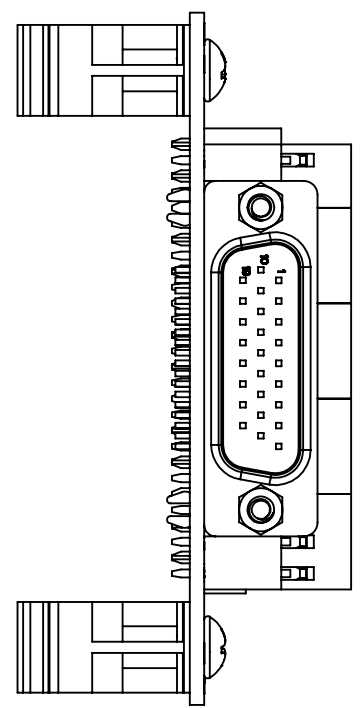
3

2

1

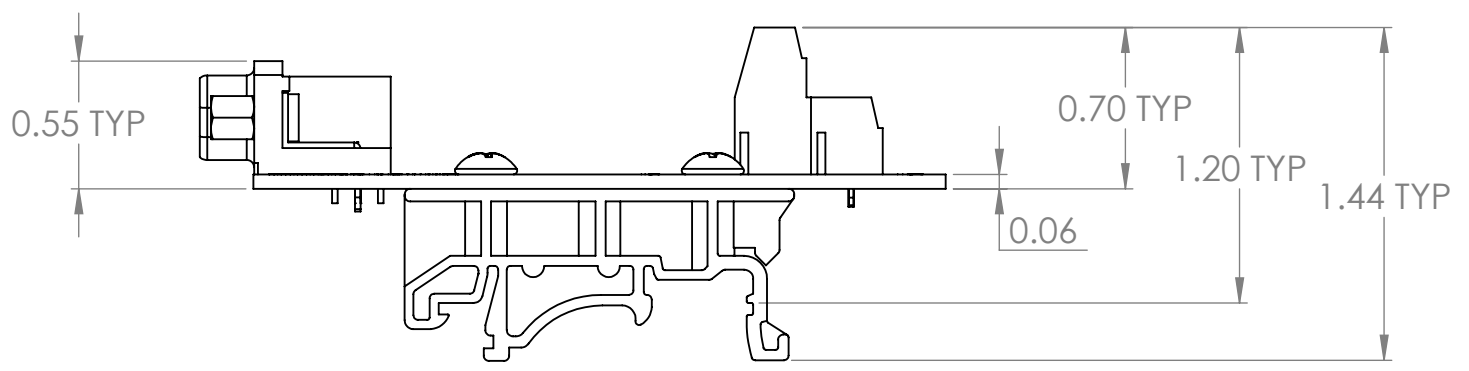
B

B

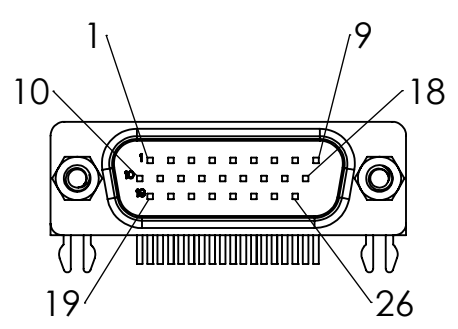


A

A



### Connector Pinout




4

3

2

1

DIM: INCH	DATE: 08/10/2021	RoHS COMPLIANT: Yes	DESCRIPTION:
 WINFORD ENGINEERING, LLC 4561 GARFIELD ROAD AUBURN, MI 48611			<b>DB26HD Male Breakout Board</b>
www.winford.com		989-671-9721	PART NUMBER (S) <b>BRKDD26HDM-R-DIN</b>
			PART REVISION <b>B</b>