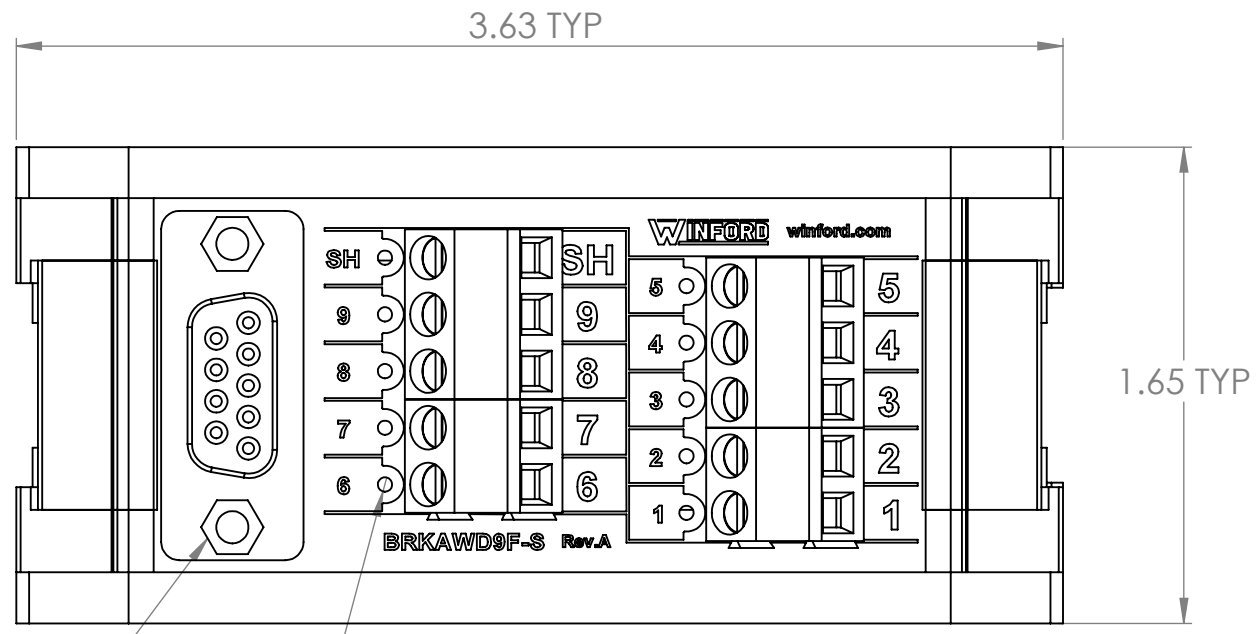
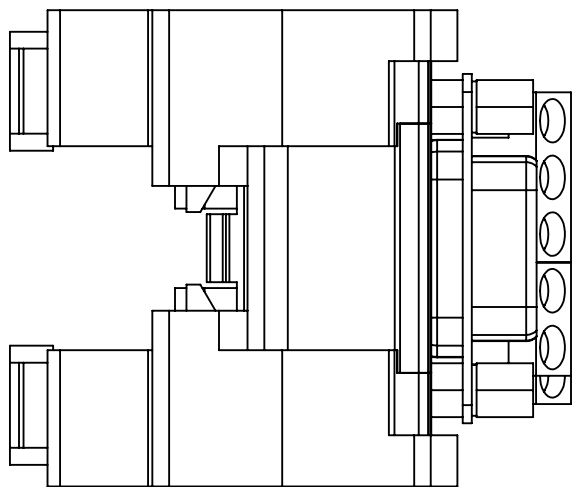


4

3

2

1



#4-40 Internal Threads

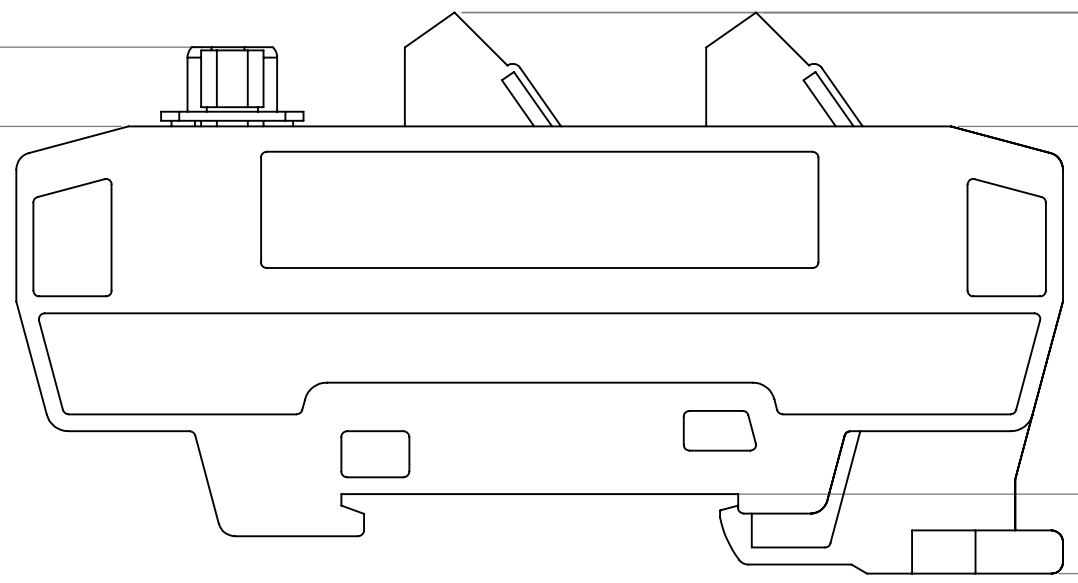
Ø0.05 Inside

0.28 TYP

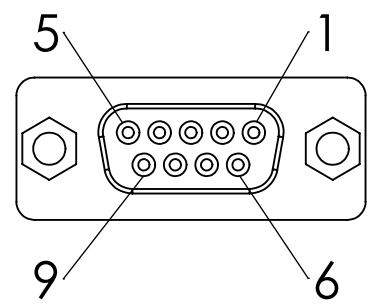
0.39 TYP


1.67 TYP

1.95 TYP



Connector Pinout (Female)



DIM: INCH	DATE: 06/18/2026	RoHS COMPLIANT: Yes	DESCRIPTION: DB9 Female Breakout Board with DIN Carrier
 WINFORD ENGINEERING, LLC 4561 GARFIELD ROAD AUBURN, MI 48611		PART NUMBER (S) BRKAWD9F-S-DC	PART REVISION A
www.winford.com		989-671-9721	

4

3

2

1

B

B

A

A