

4

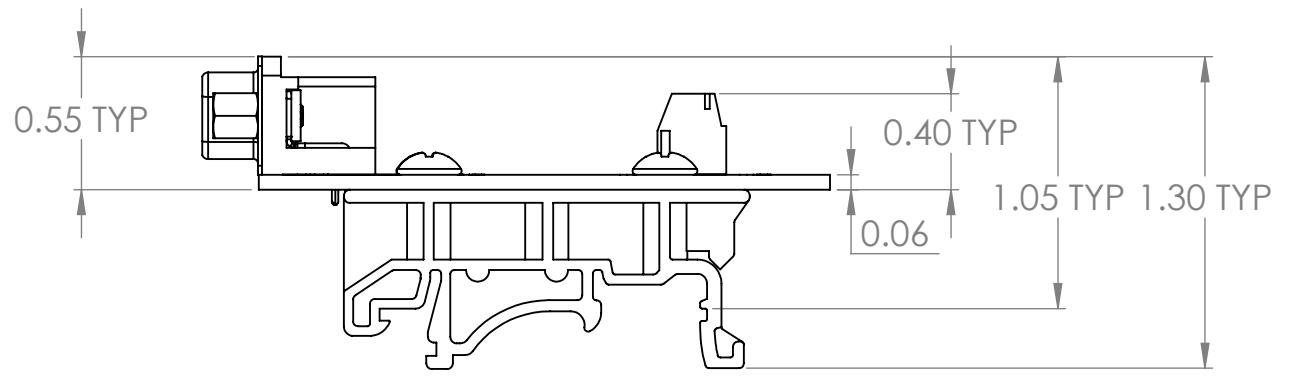
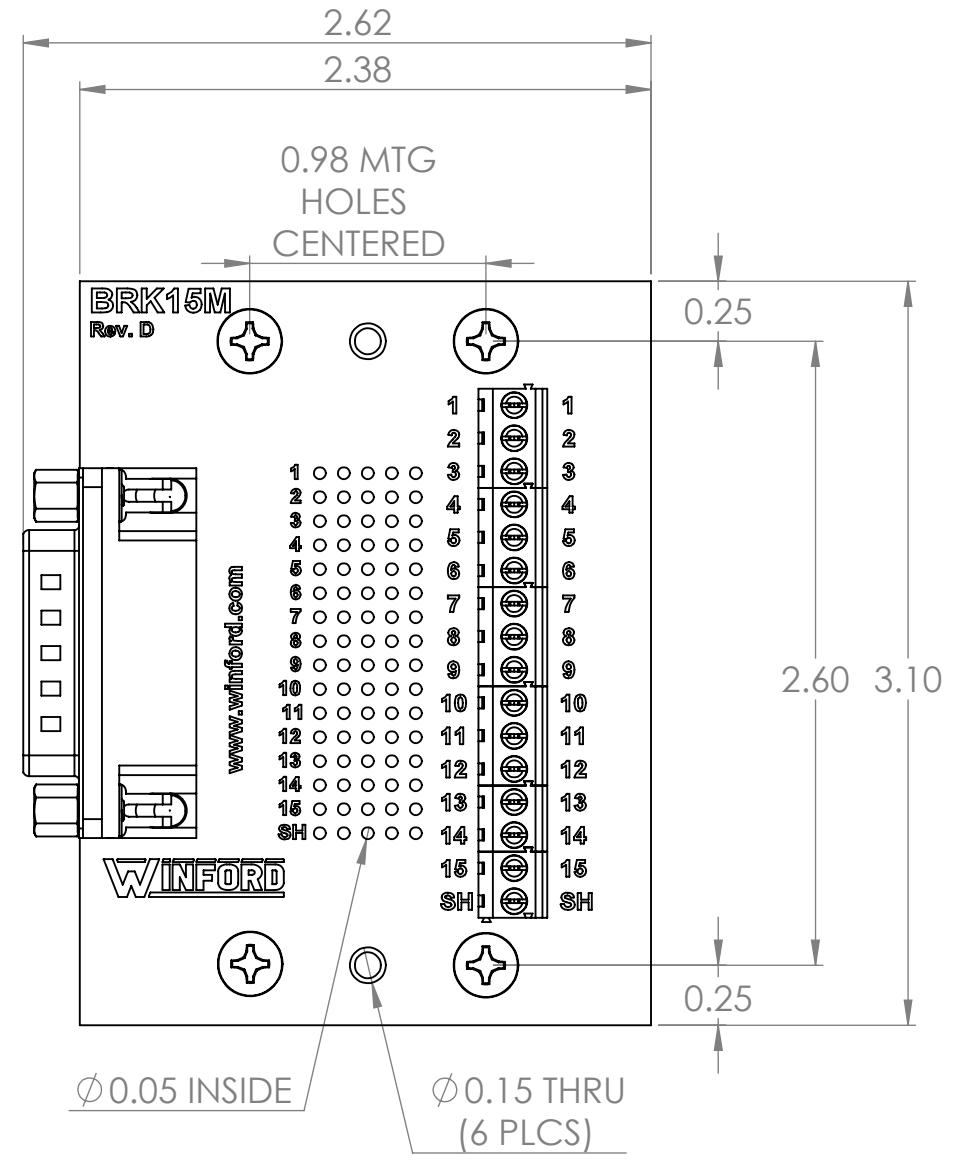
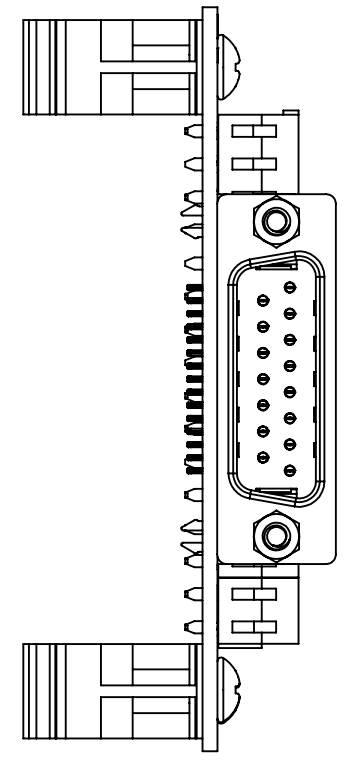
3

2

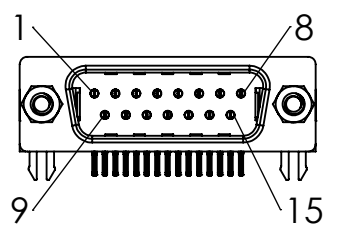
1

B

B



Connector Pinout



4


3

2

1

A

A

DIM: INCH	DATE: 11/11/2020	RoHS COMPLIANT: Yes	DESCRIPTION:
 WINFORD ENGINEERING, LLC 4561 GARFIELD ROAD AUBURN, MI 48611			DB15 Male Screw Terminal Breakout Board
www.winford.com		989-671-9721	PART NUMBER (S)
			BRK15M-R-DIN
			PART REVISION
			D