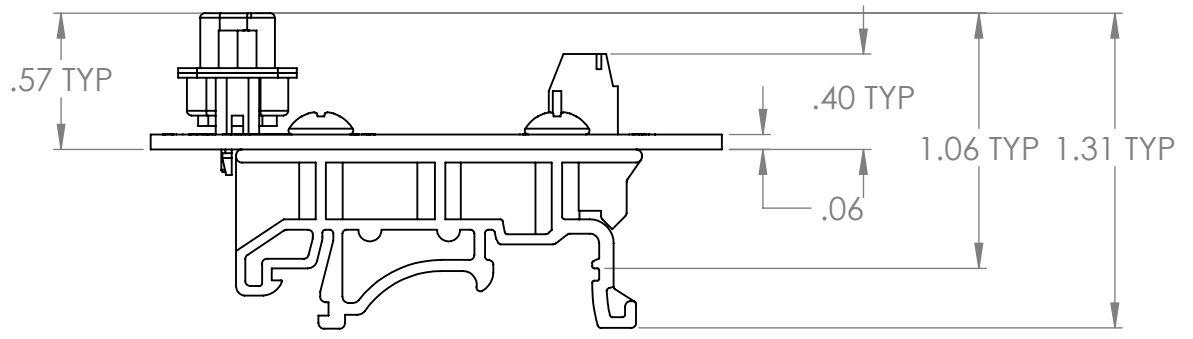
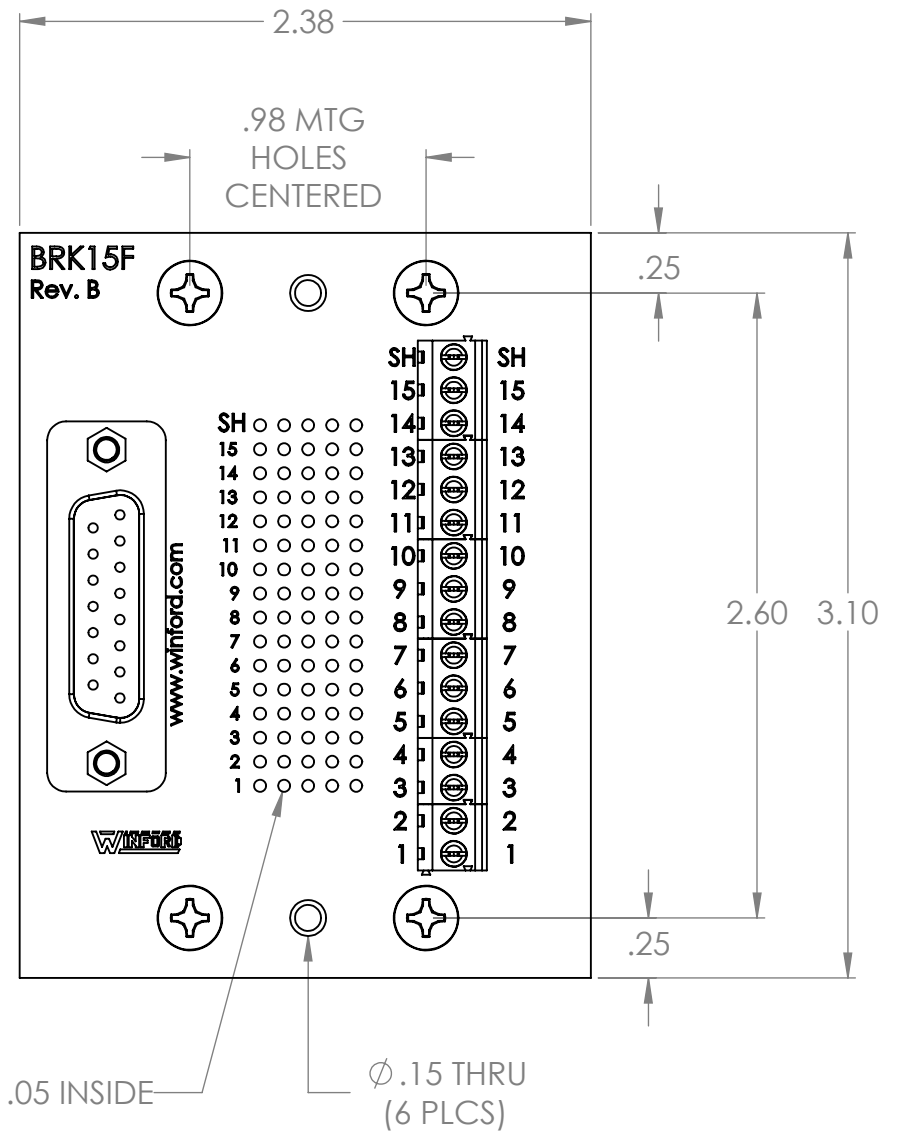
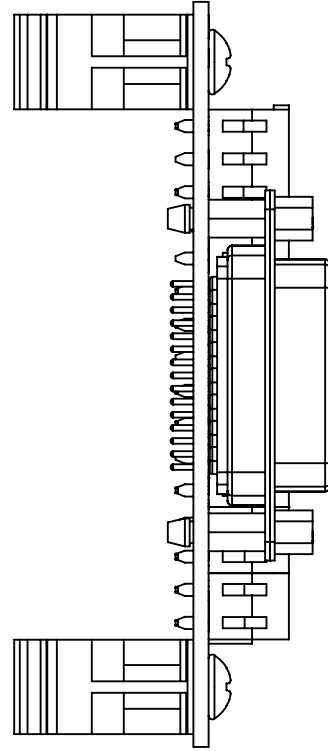


4

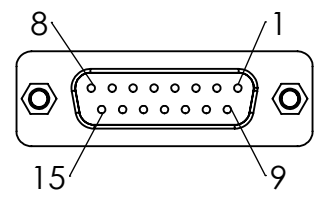
3


2

1



Connector Pinout



DIM: INCH	DATE: 11/09/2020	RoHS COMPLIANT: YES	DESCRIPTION: DB15 Female Screw Terminal Breakout Board
 WINFORD ENGINEERING, LLC 4561 GARFIELD ROAD AUBURN, MI 48611		PART NUMBER (S) BRK15F-S-DIN	PART REVISION B
www.winford.com		989-671-9721	

4

3

2

1

B

B

A

A