



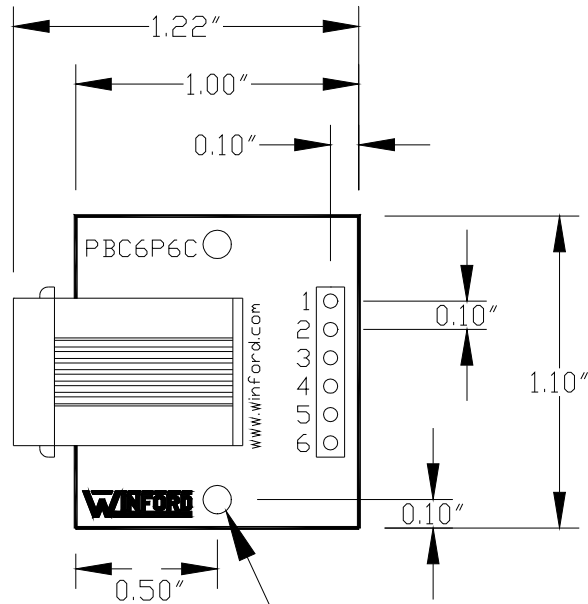
**WINFORD ENGINEERING, LLC**

4561 Garfield Road • Auburn, MI 48611

www.winford.com • sales@winford.com

1-877-634-2673 • FAX: 1-989-671-2941

### PBC6P6C Physical Layout



MOUNTING HOLES  
0.1" DIA

### 6P6C / RJ11 / RJ12 Jack Pinout

1 6

