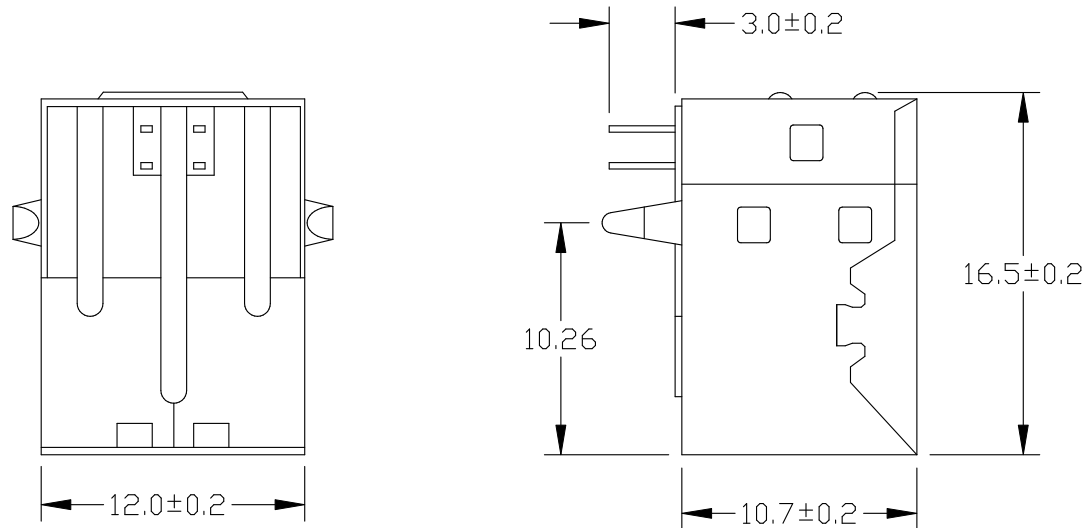
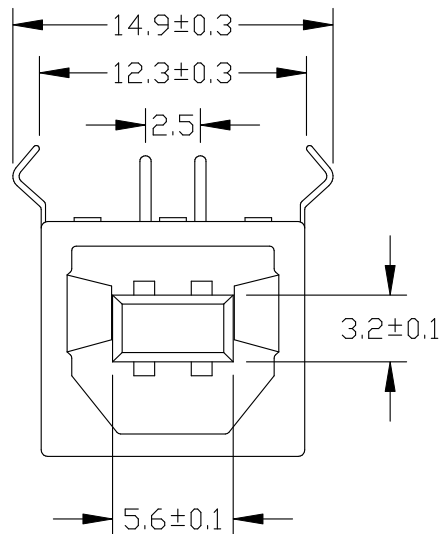


# UCRB1F: USB Type B Female Connector, R/A, PCB Mount

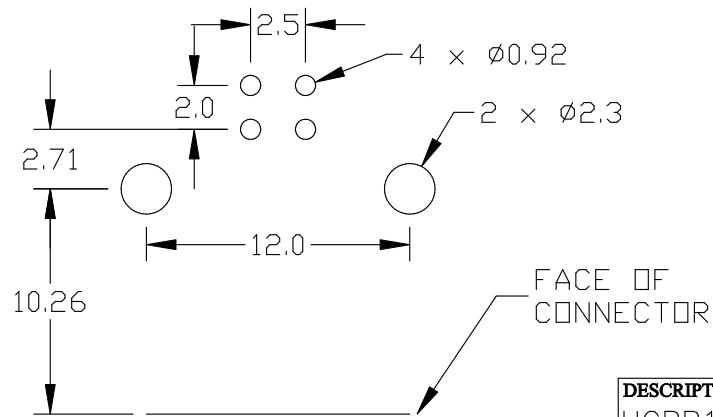


## SPECIFICATIONS

1. Current Rating: 1A Max
2. Dielectric Withstanding Voltage: 500V(AC) For 1 Minute
3. Contact Resistance: 30 Milliohms Max
4. Insulation Resistance: 1000 Megohms Min. at DC 500V
5. Temperature Range:  $-55^{\circ}\text{C}$  to  $+105^{\circ}\text{C}$
6. Insulator: PBT, UL 94V-0
7. Contact Plating: Gold Flash
8. RoHS Compliant
9. Rated for use with USB 1.1 Connections



## RECOMMENDED PCB FOOTPRINT



DIMENSIONS ARE IN MILLIMETERS

## DESCRIPTION:

UCRB1F: USB B Female R/A PCB

**WINFORD**

Winford Engineering  
4169 Four Mile Road  
Bay City, MI 48706

www.winford.com

989-671-2941