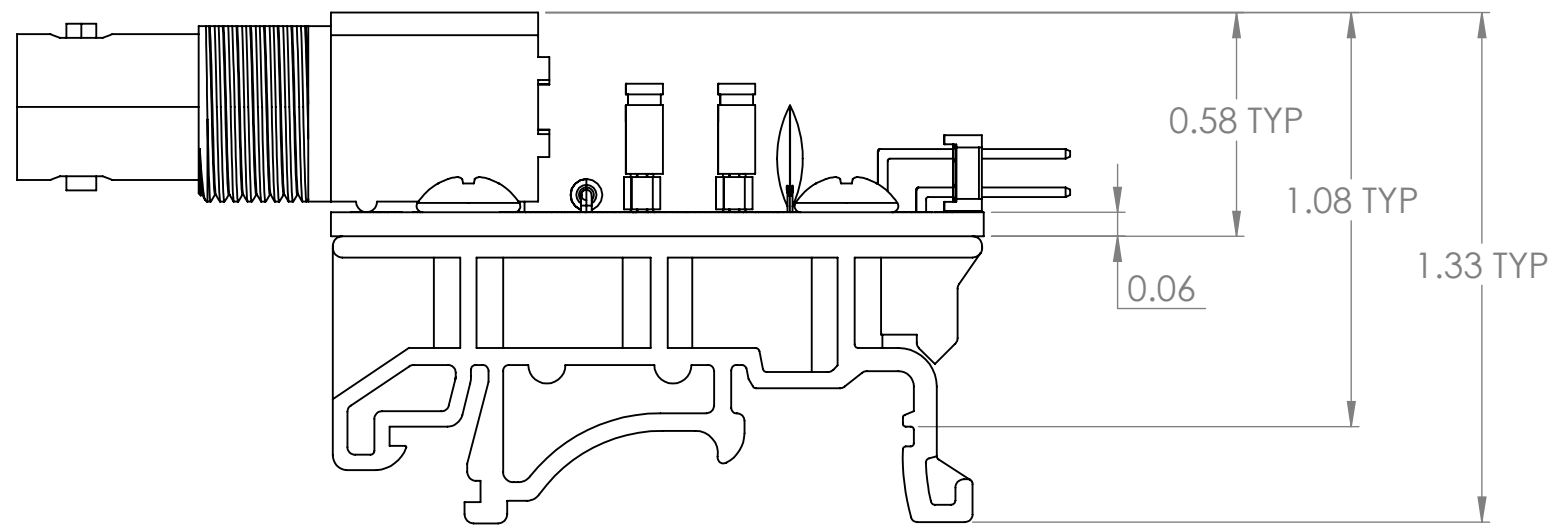
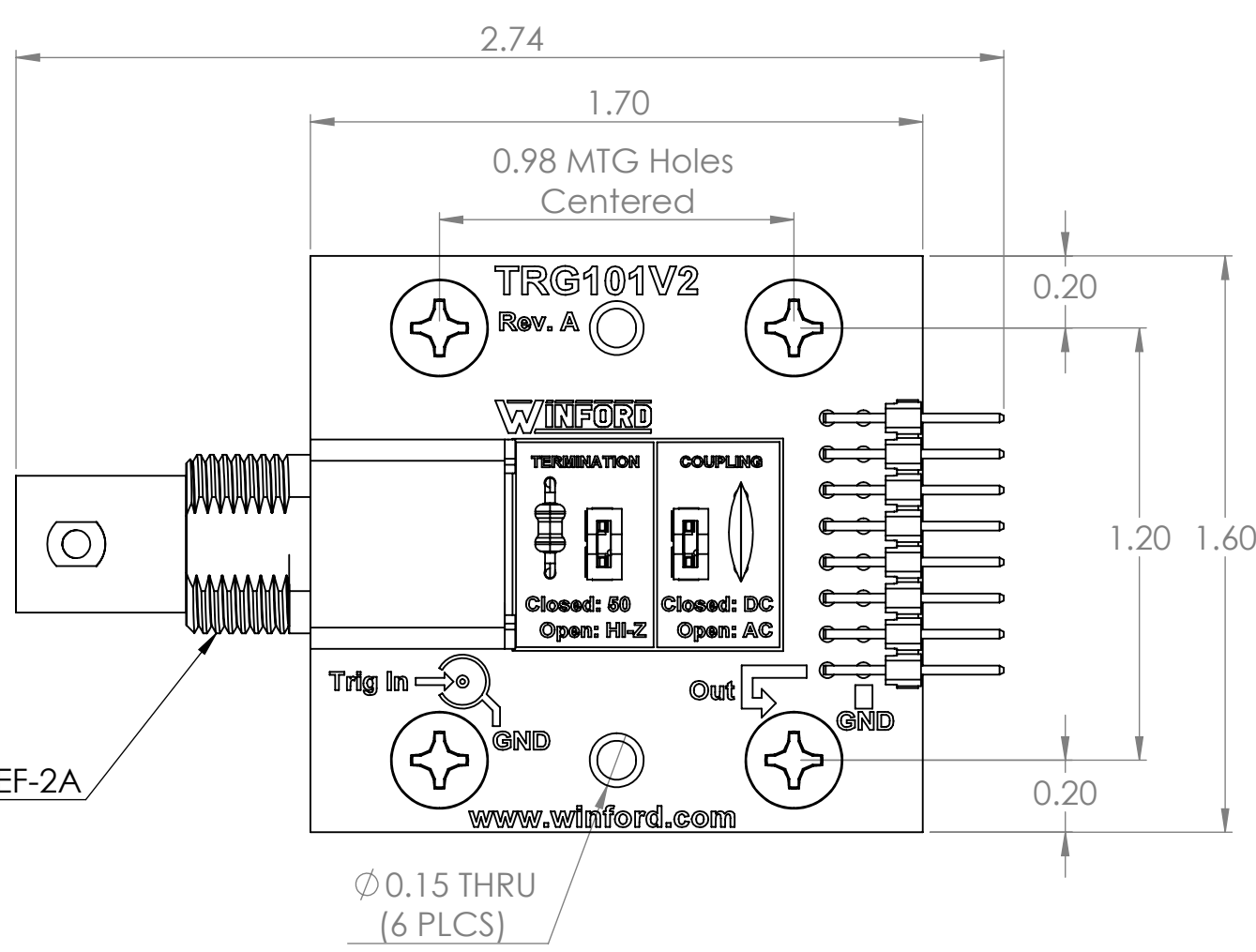
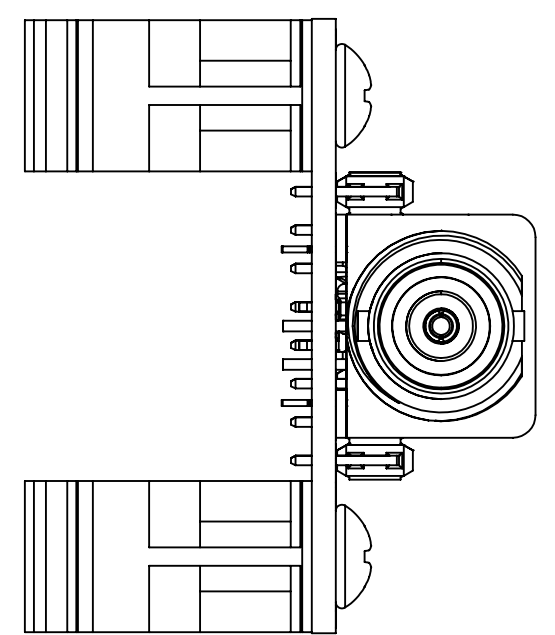


4

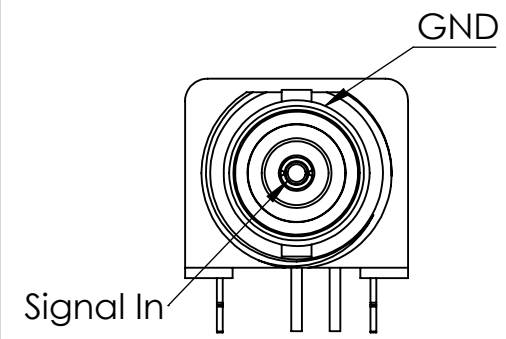
3

2

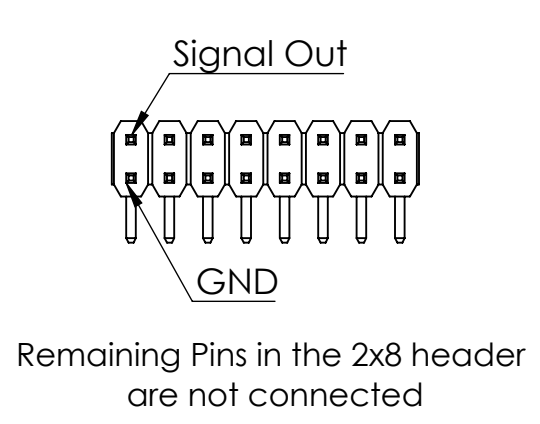
1



Connector Pinout
(BNC)



Connector Pinout
(2x8 Pin Header)



DIM: INCH	DATE: 07/29/2022	RoHS COMPLIANT: Yes	DESCRIPTION: Trigger Interface Board, BNC to Header
		WINFORD ENGINEERING, LLC 4561 GARFIELD ROAD AUBURN, MI 48611	PART NUMBER (S) TRG101V2-DIN
www.winford.com		989-671-9721	PART REVISION A

4

3

2

1

B

B

A

A