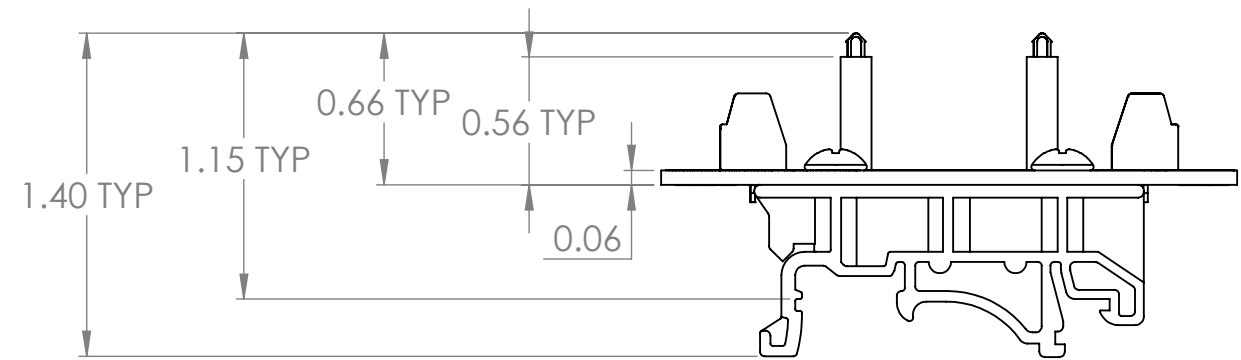
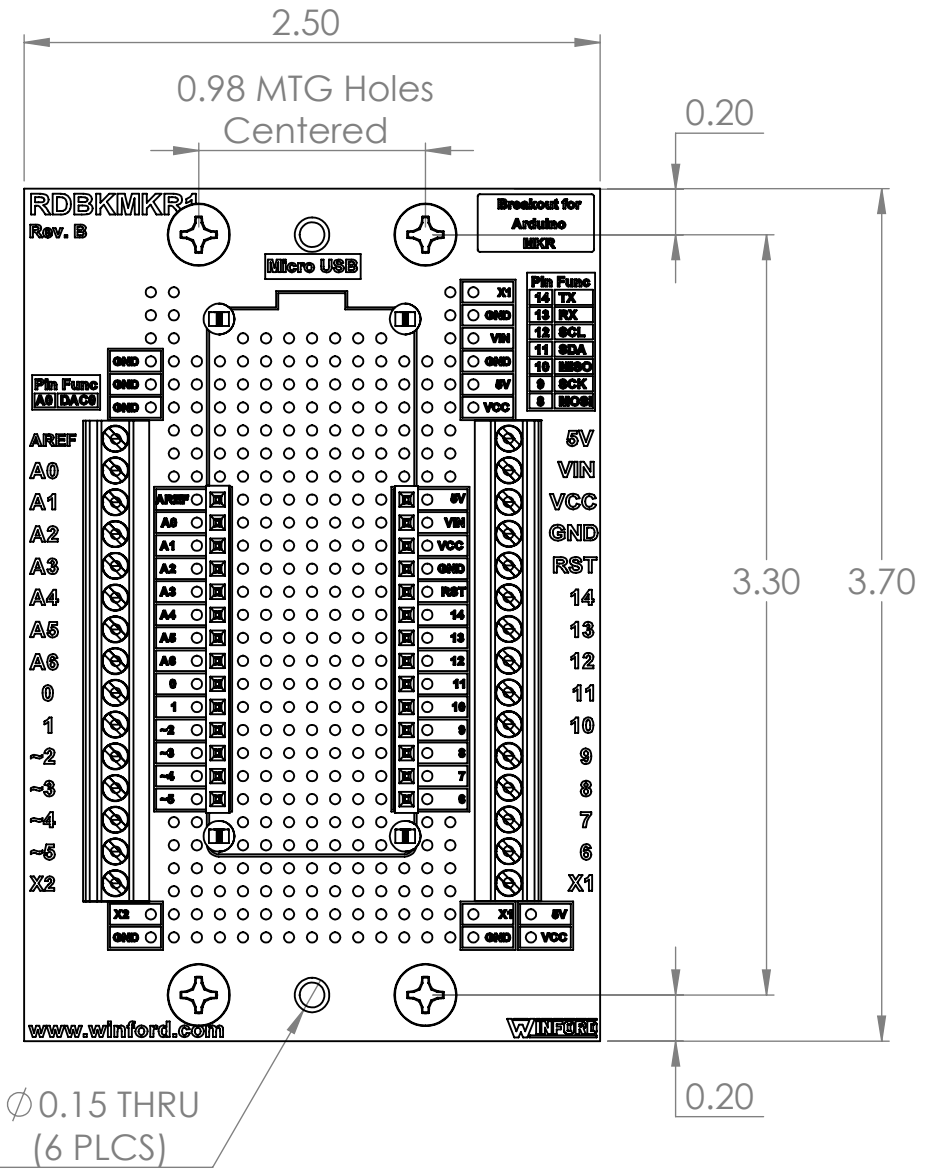
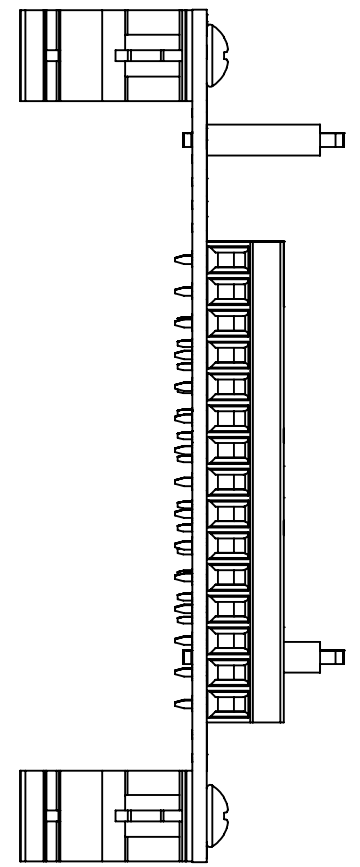



4

3

2

1



DIM: INCH	DATE: 08/16/2022	RoHS COMPLIANT: Yes	DESCRIPTION: Breakout for Arduino MKR	
 WINFORD ENGINEERING, LLC 4561 GARFIELD ROAD AUBURN, MI 48611		www.winford.com	989-671-9721	PART NUMBER (S) RDBKMKR1-DIN
				PART REVISION B

4

3

2

1