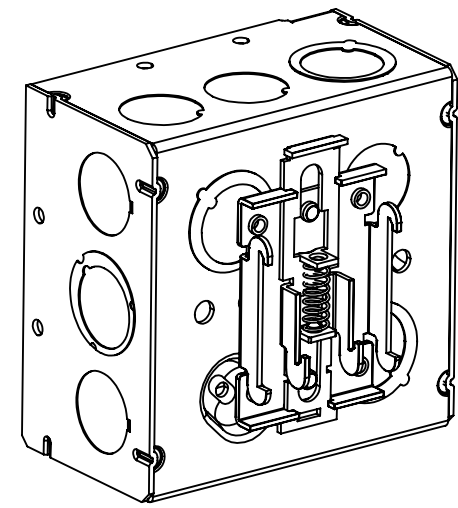


4

3

2

1

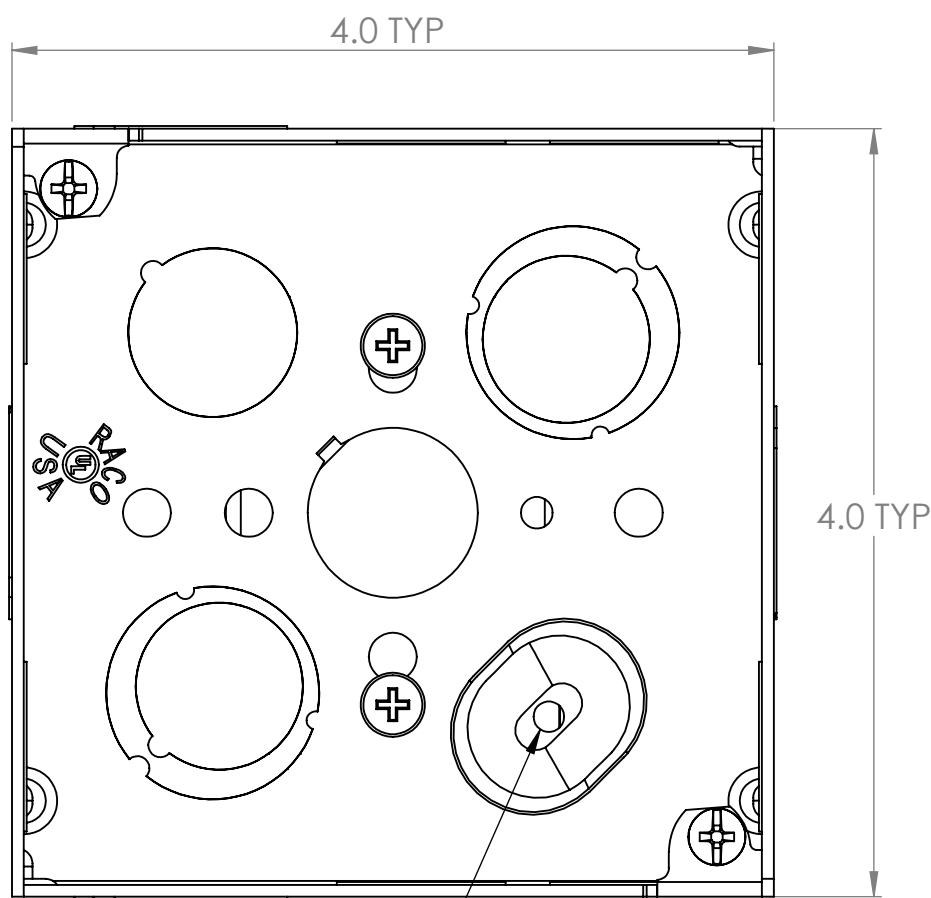


B

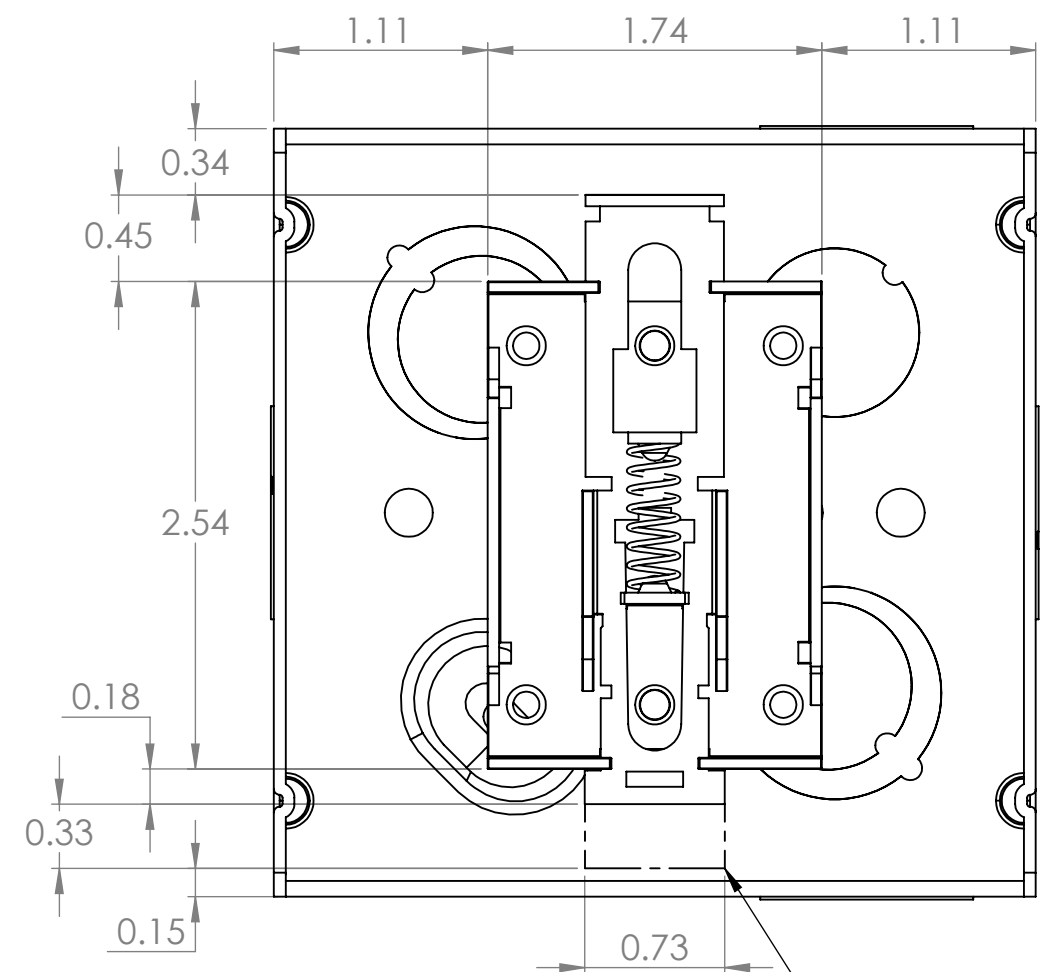
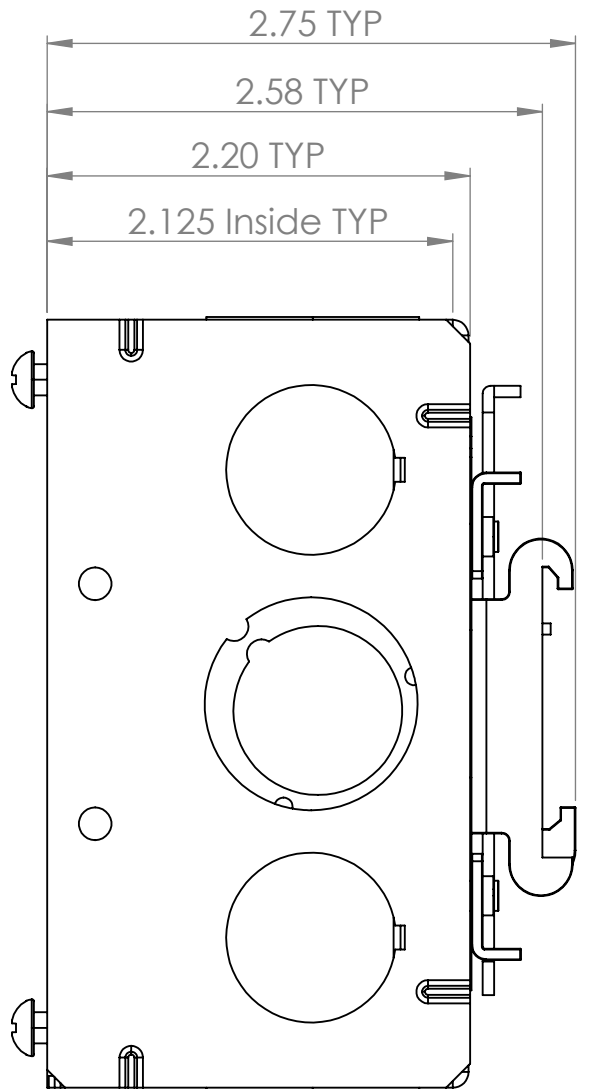
B

A


A



Ground Screw Dimple
(#8-32 Threaded Hole)



Release Slide Travel Extent

DIM: INCH	DATE: 08/20/2024	RoHS COMPLIANT: Yes	DESCRIPTION: DIN Rail Mounted 4" Square Box	
		WINFORD ENGINEERING, LLC 4561 GARFIELD ROAD AUBURN, MI 48611	PART NUMBER (S) EESB4S-2.1-G-A-DIN	PART REVISION A
www.winford.com		989-671-9721		

4

3

2

1