

4

3

2

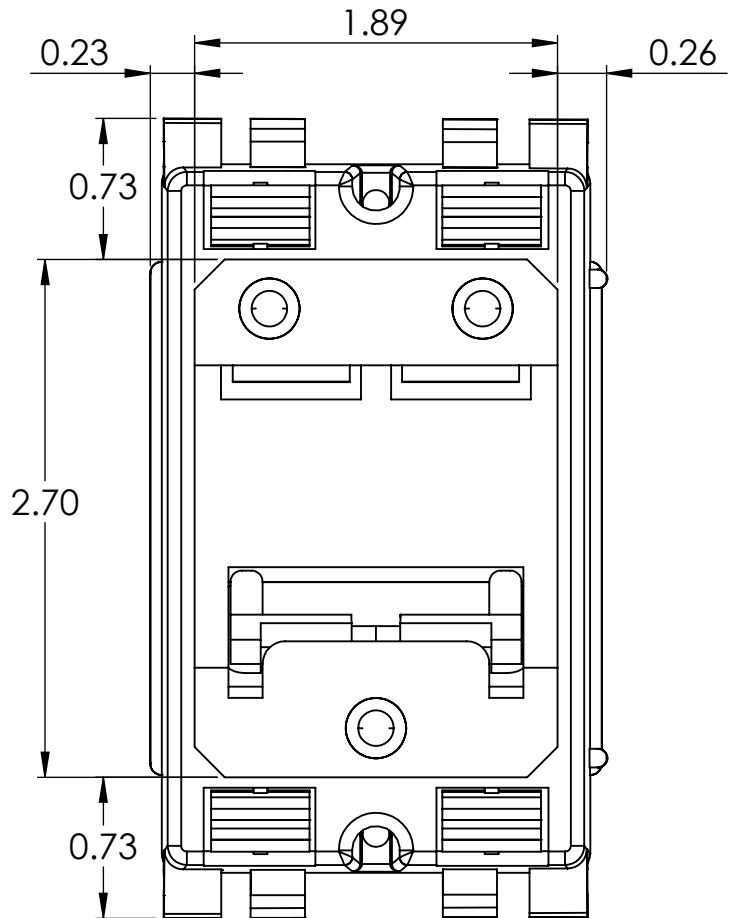
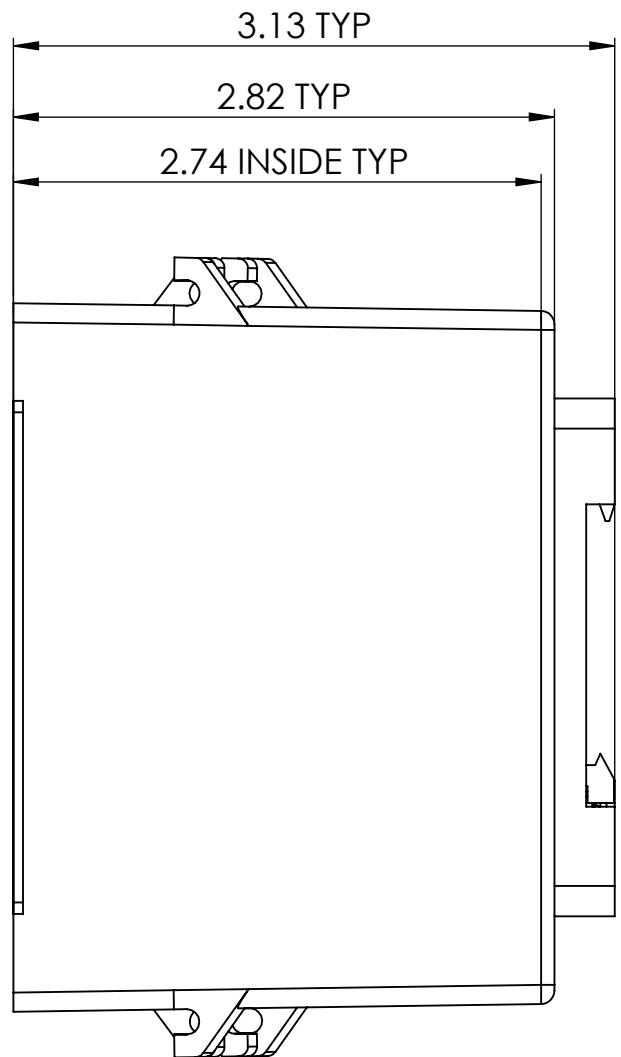
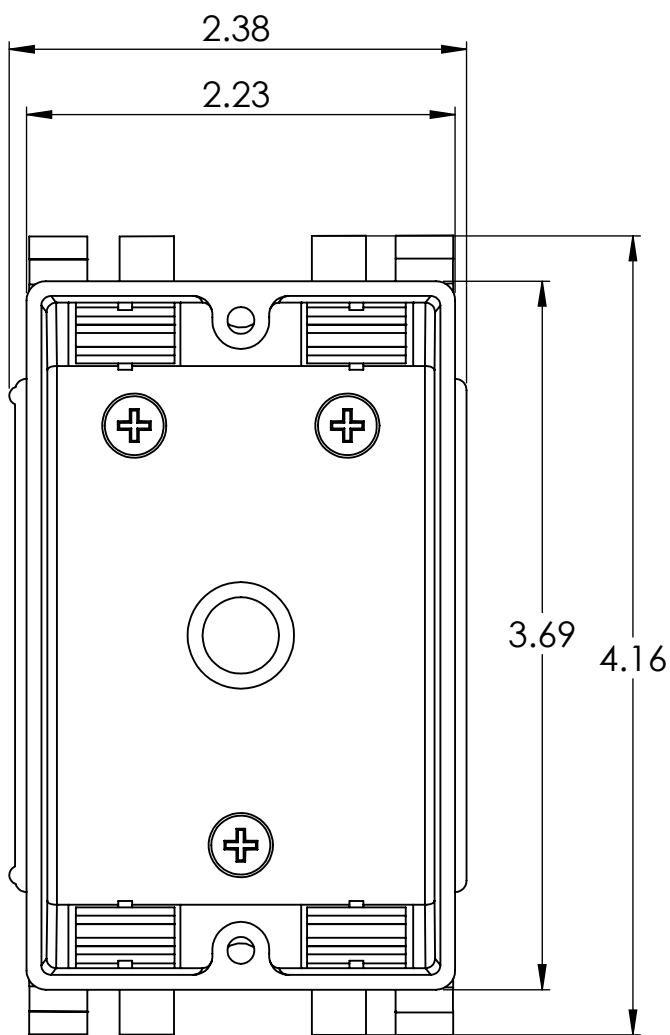
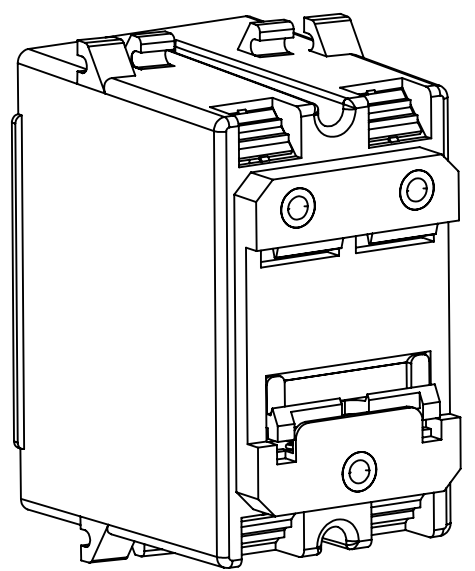
1


B

B

A

A



DIM: INCH	DATE: 12/29/2025	RoHS COMPLIANT: Yes	DESCRIPTION:	
 WINFORD ENGINEERING, LLC 4561 GARFIELD ROAD AUBURN, MI 48611			DIN Rail Mounted 1-Gang Box	
			PART NUMBER (S)	PART REVISION
www.winford.com			EEPB1G-2.8-N-N-DIN	A

4

3

2

1