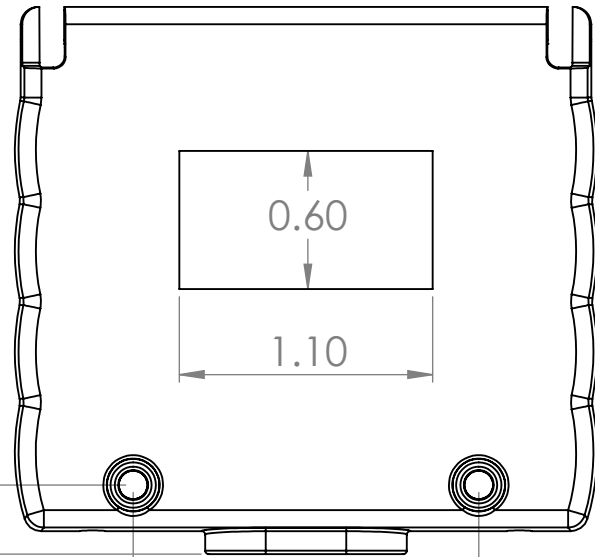
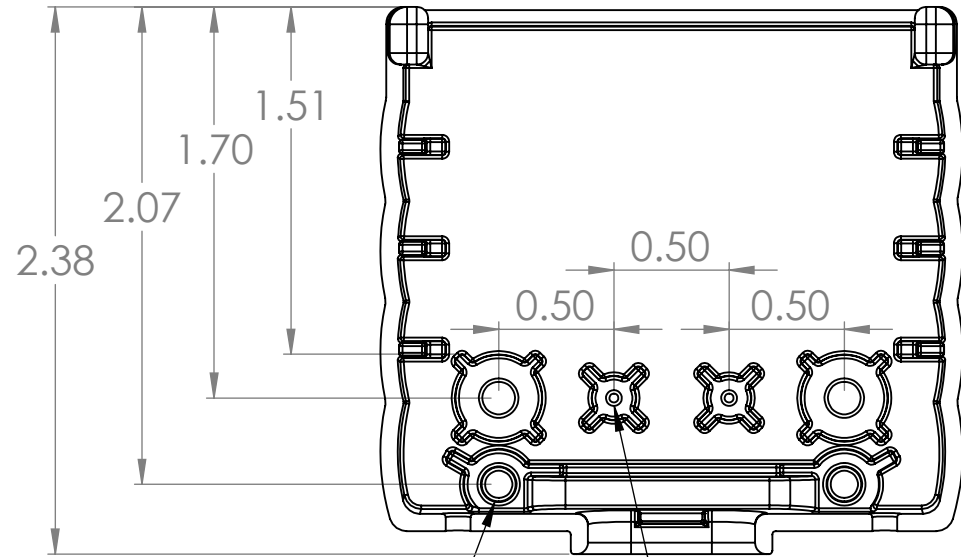


Note: See also "Recommended PCB Drawing to fit ECB25A1 Enclosure"

Base

Cover

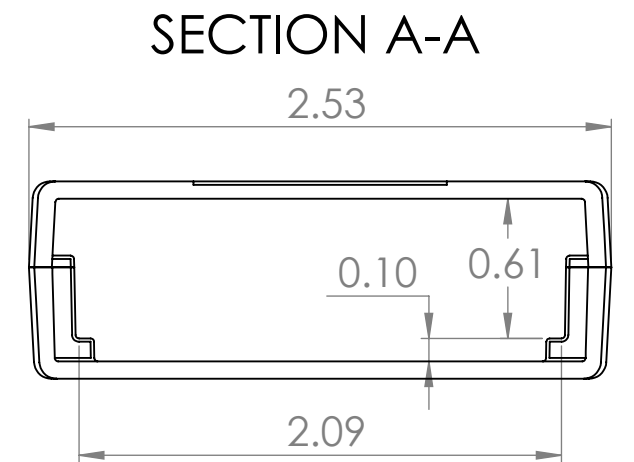
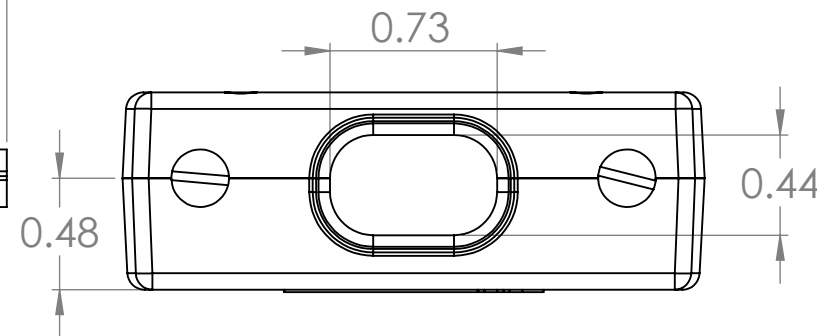
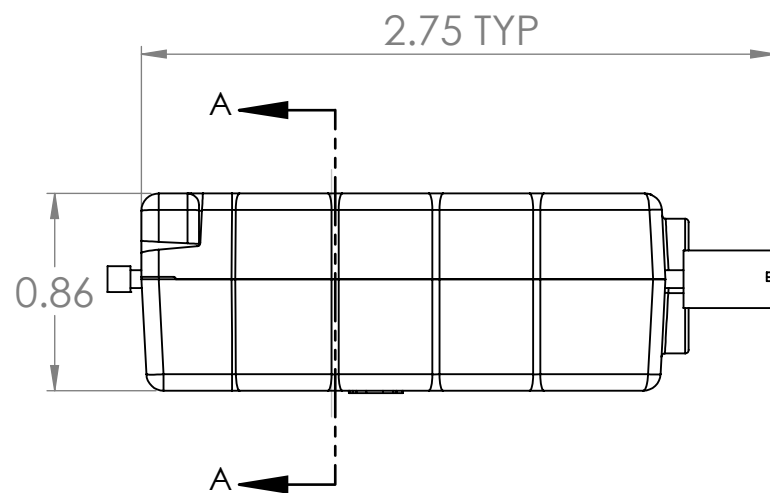
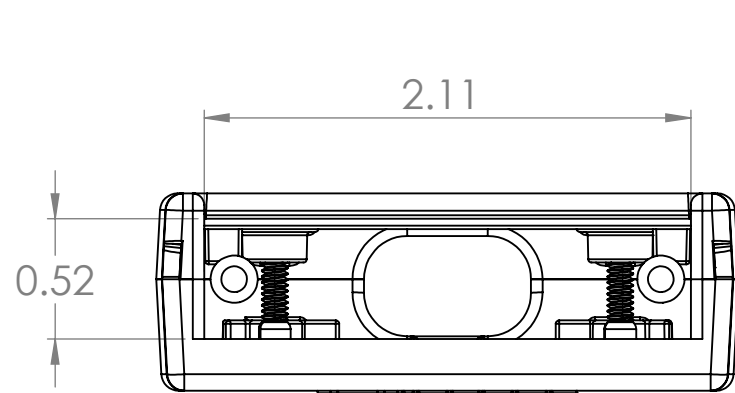
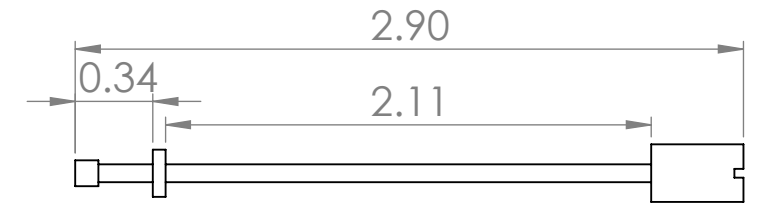


#4-40 Threaded Insert Molded in (2 PLCS)

0.069 ID, 0.125 Depth for optional #2 Coarse Thread Screw (2 PLCS)

#4-40 Pan-Head, 5/8" For Case Closure (Qty:2)	
3.5MM OD x 5.5MM Snap Rivet For PCB Mounting (Qty:2)	
0.1" Zip Tie, 4" For Wire Strain Relief (Qty:1)	

#4-40 Thumbscrew, 2.9" (Qty: 2)



DIM: INCH	DATE: 12/28/2022	RoHS COMPLIANT: Yes	DESCRIPTION:	
WINFORD ENGINEERING, LLC 4561 GARFIELD ROAD AUBURN, MI 48611			DB25 PCB Enclosure Kit	
			PART NUMBER (S)	PART REVISION
www.winford.com	989-671-9721	ECB25A1-T	A	