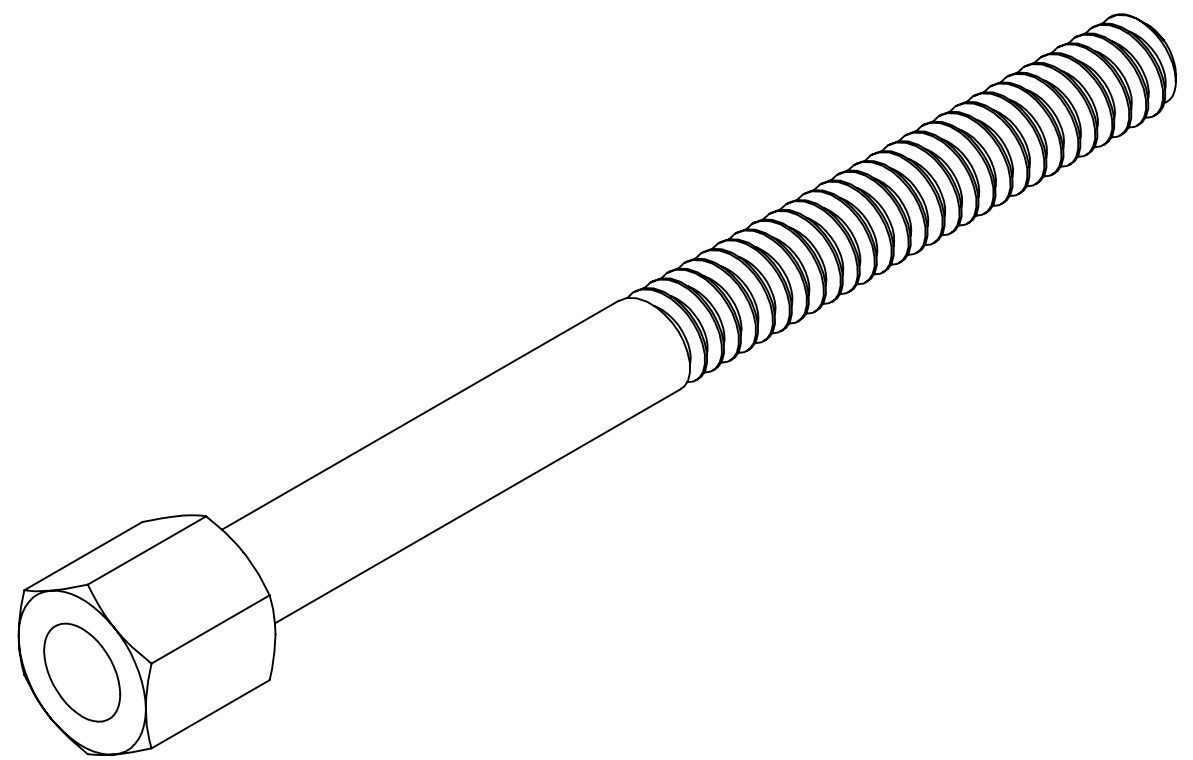


4

3

2

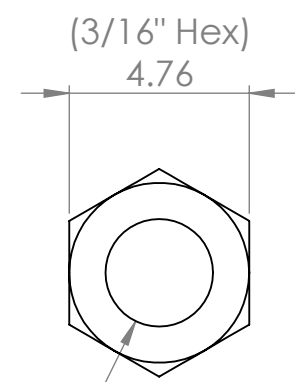
1



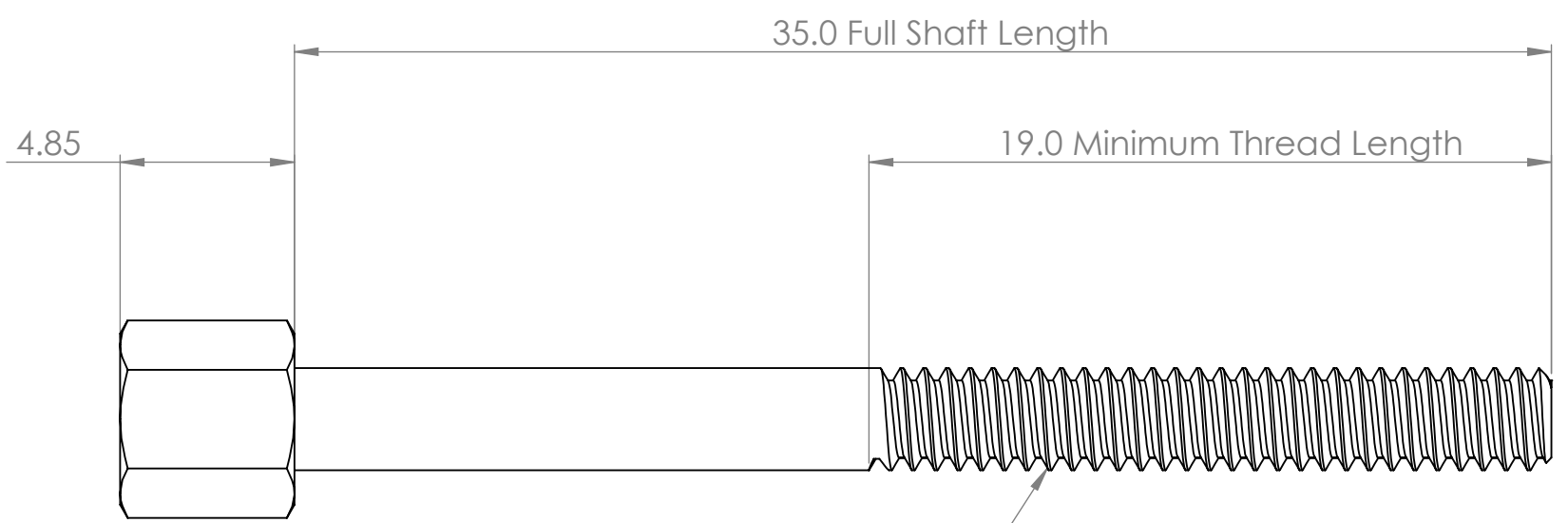
#4-40 Jack-screw (Qty: 2)	
#4-40 Hex Nut (Qty: 2)	
#4-40 Flat Washer (Qty: 2)	
#4-40 Internal-Tooth Lock Washer (Qty: 2)	

B

B



#4-40 Internal Threads



#4-40 External Threads

A

A

4

3

2

1

DIM: MM	DATE: 05/05/2026	RoHS COMPLIANT: Yes	DESCRIPTION: DSUB #4-40 Hardware Kit, 35mm Jackscrews
WINFORD ENGINEERING, LLC 4561 GARFIELD ROAD AUBURN, MI 48611			PART NUMBER (S) <b>DJSK-35.0-A</b>
www.winford.com		989-671-9721	PART REVISION <b>A</b>