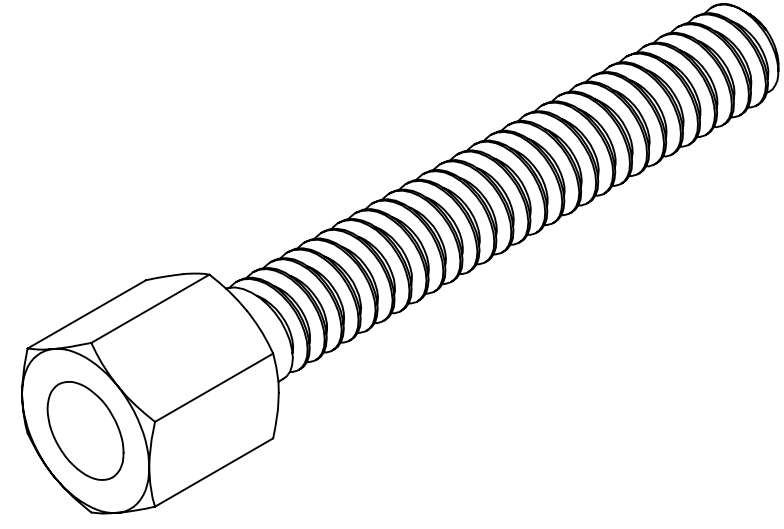


4

3

2

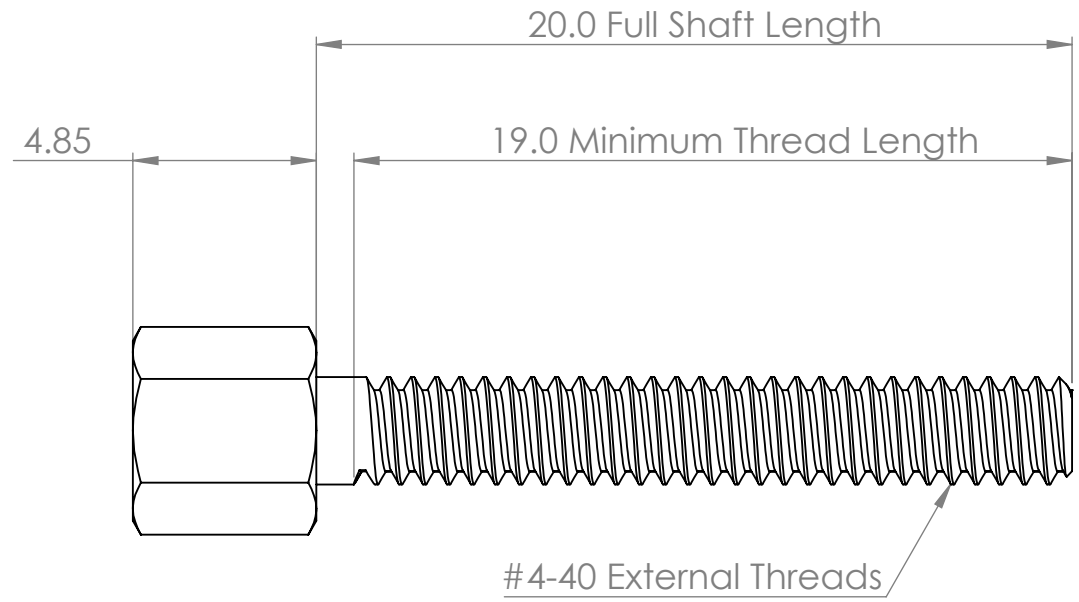
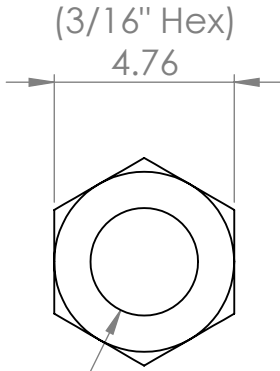
1



#4-40 Jack-screw (Qty: 2)	
#4-40 Hex Nut (Qty: 2)	
#4-40 Flat Washer (Qty: 2)	
#4-40 Internal-Tooth Lock Washer (Qty: 2)	

B

B



#4-40 Internal Threads

#4-40 External Threads

A

A

DIM: MM	DATE: 05/21/2026	RoHS COMPLIANT: Yes	DESCRIPTION: DSUB #4-40 Hardware Kit, 20mm Jackscrews
WINFORD ENGINEERING, LLC 4561 GARFIELD ROAD AUBURN, MI 48611			PART NUMBER (S) DJSK-20.0-A
www.winford.com		989-671-9721	PART REVISION A

4

3

2

1