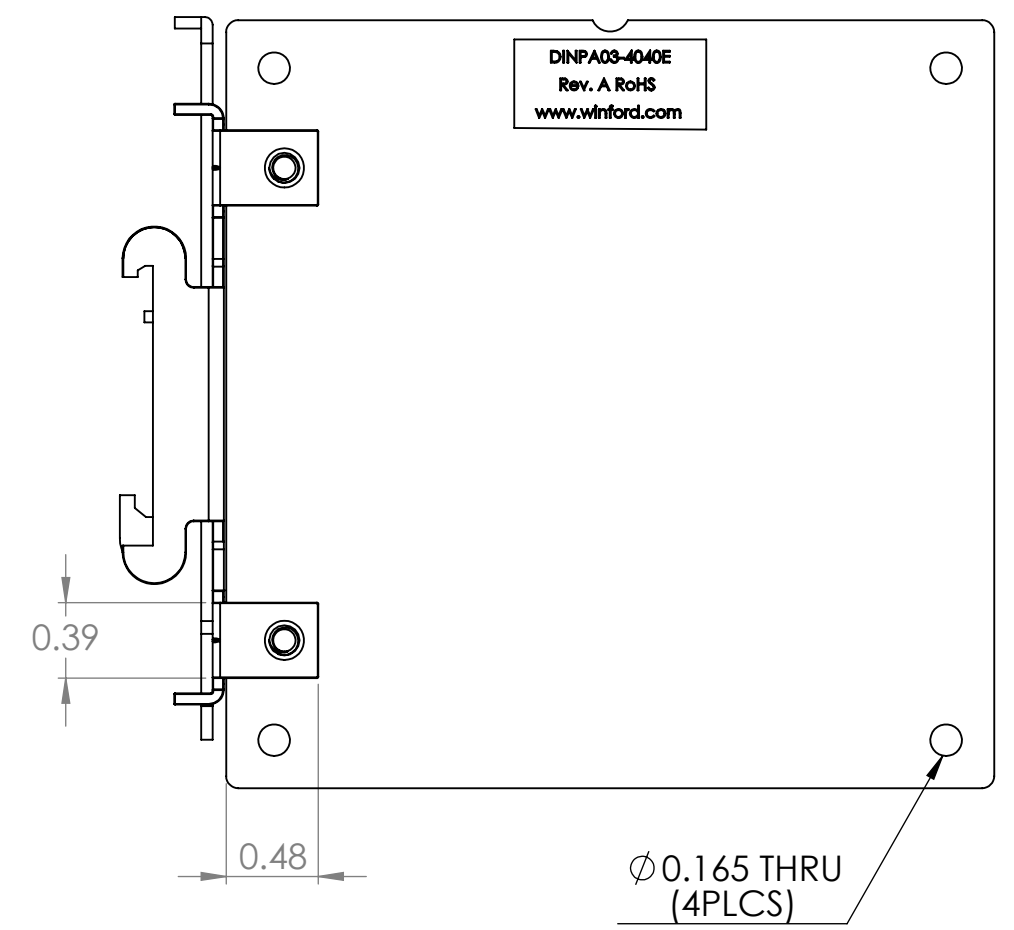
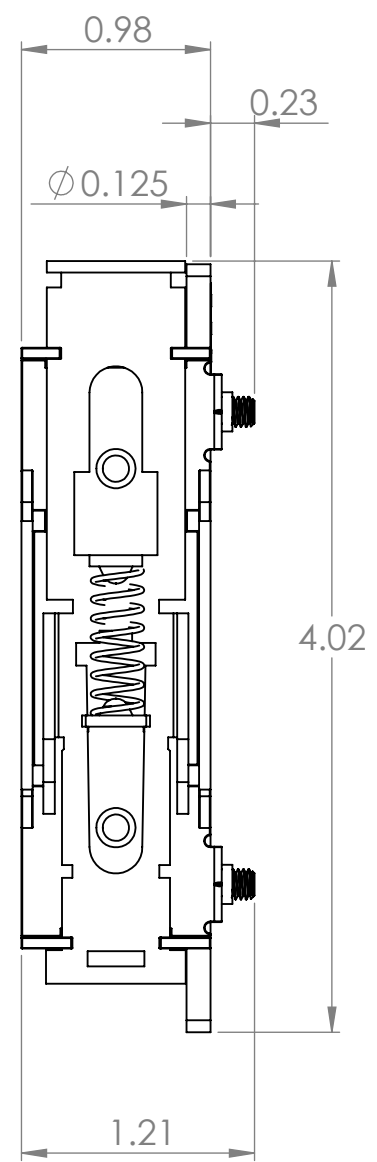
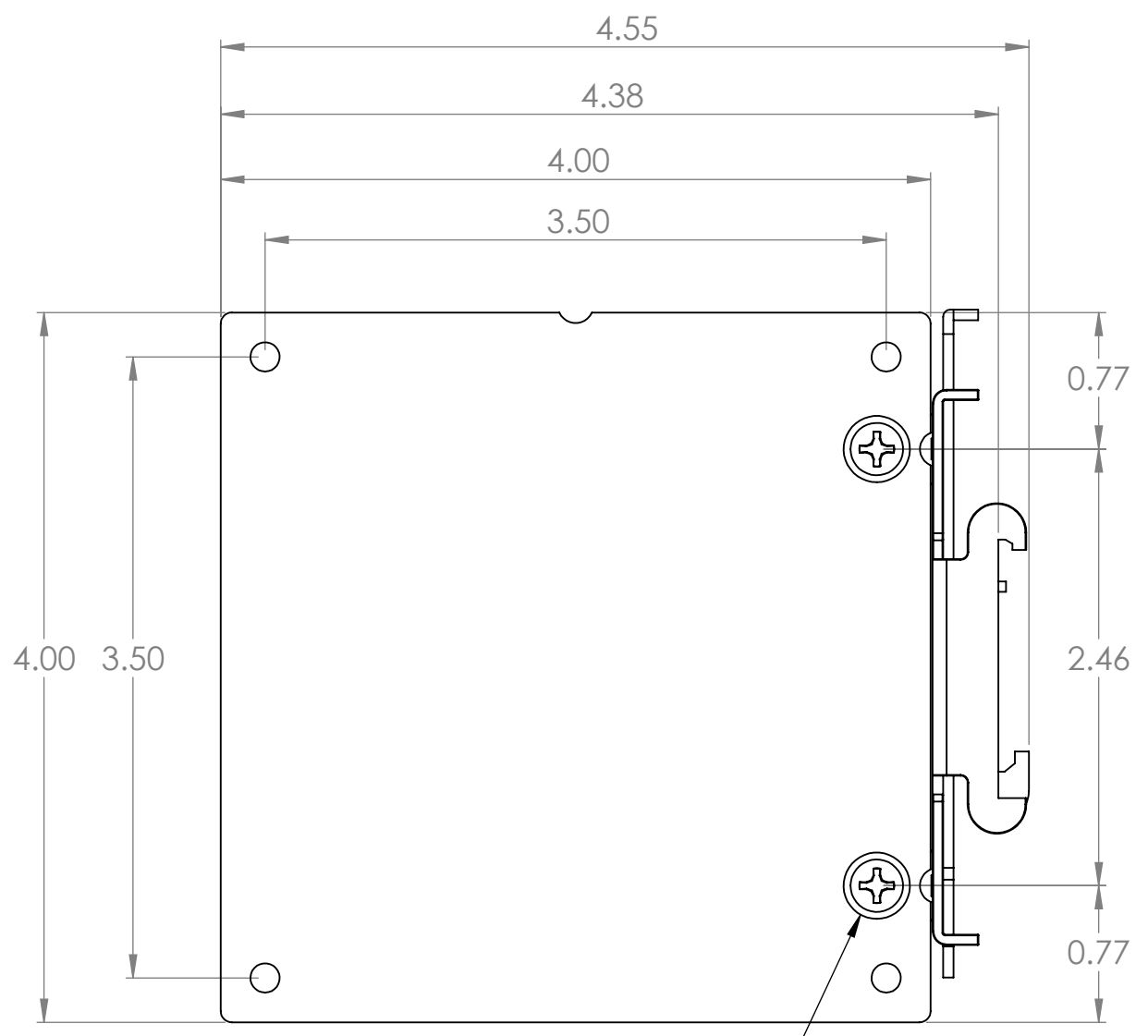


4

3


2

1



$\phi 0.374$  COUNTERSINK

$\phi 0.165$  THRU (4PLCS)

DIM: INCH	DATE: 10/28/2022	RoHS COMPLIANT: Yes	DESCRIPTION: Aluminum DIN mounting Plate 4" x 4"	
 WINFORD ENGINEERING, LLC 4561 GARFIELD ROAD AUBURN, MI 48611			PART NUMBER (S) DINPA03-4040E	PART REVISION A
www.winford.com		989-671-9721		

4

3

2

1