

4

3

2

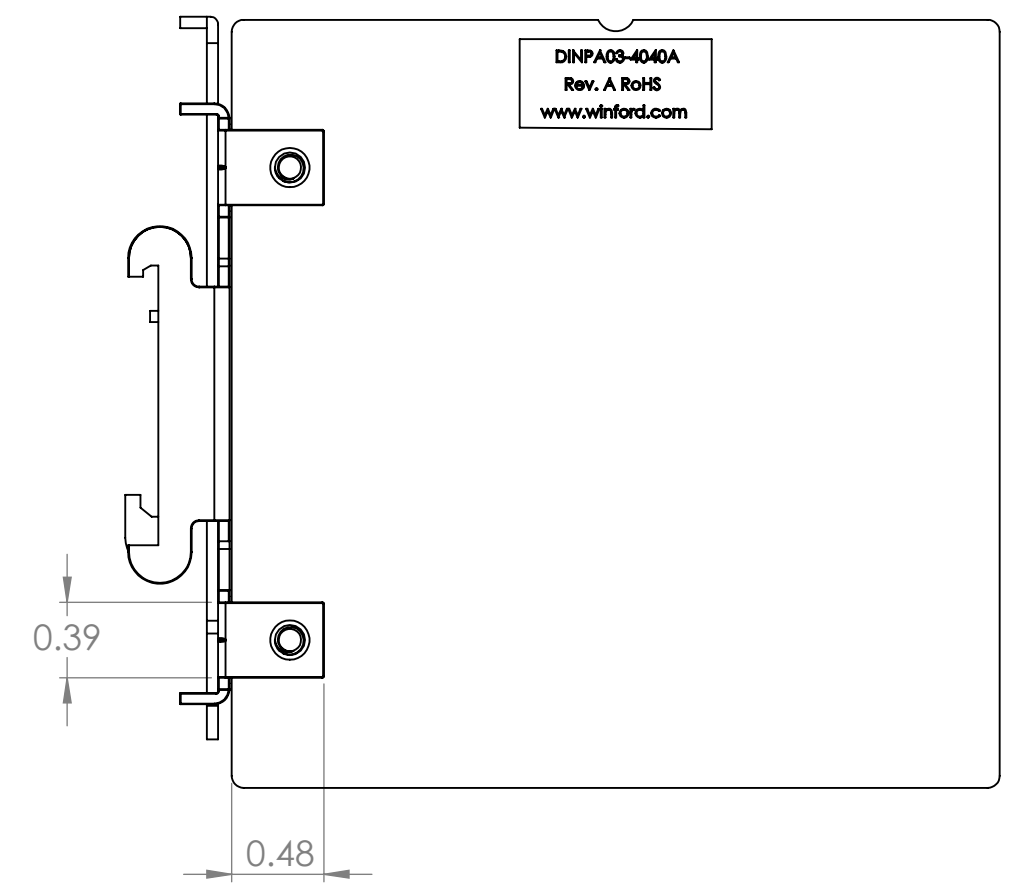
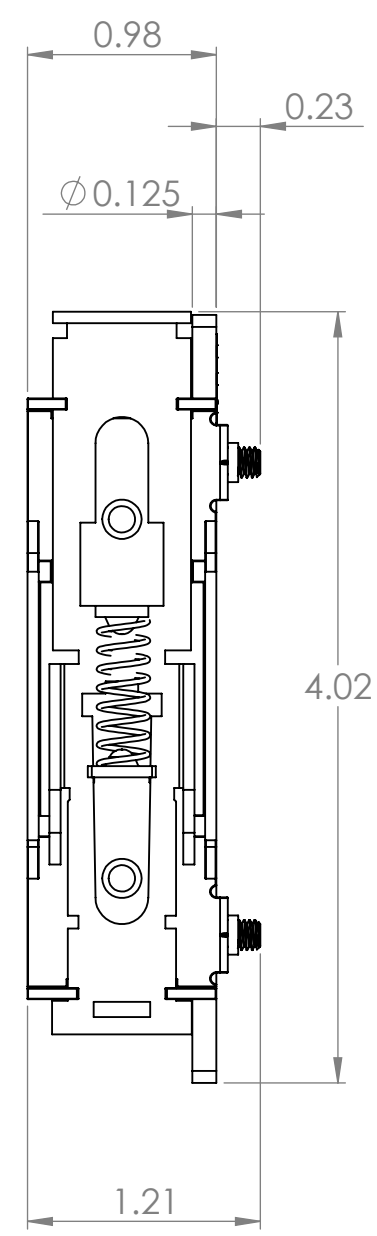
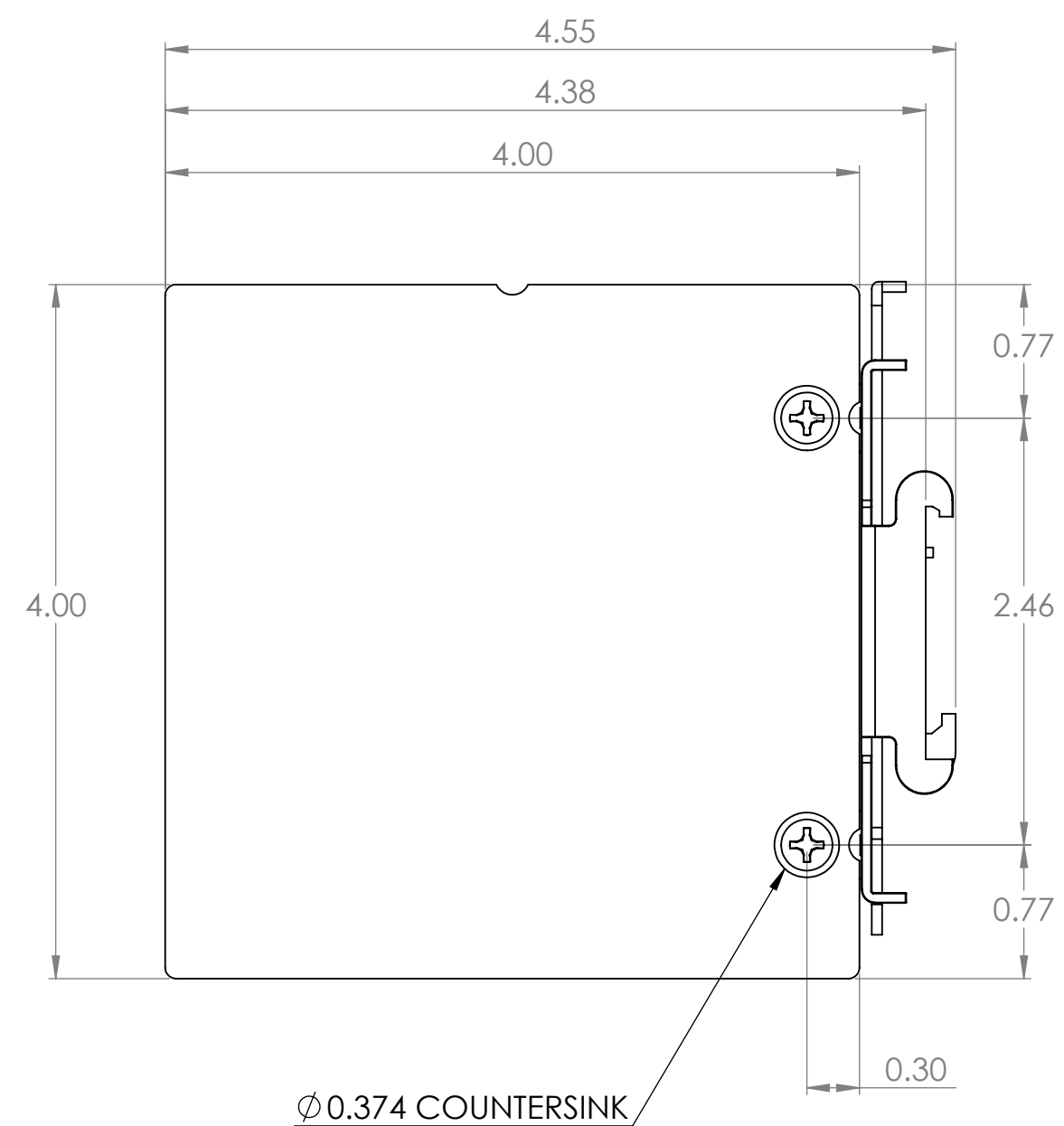
1

B


B

A

A



DINPA03-4040A  
Rev. A RoHS  
www.winford.com

DIM: INCH	DATE: 10/27/2022	RoHS COMPLIANT: Yes	DESCRIPTION: Aluminum DIN mounting Plate 4" x 4"	
 WINFORD ENGINEERING, LLC 4561 GARFIELD ROAD AUBURN, MI 48611		PART NUMBER (S) DINPA03-4040A		PART REVISION A
www.winford.com		989-671-9721		

4

3

2

1