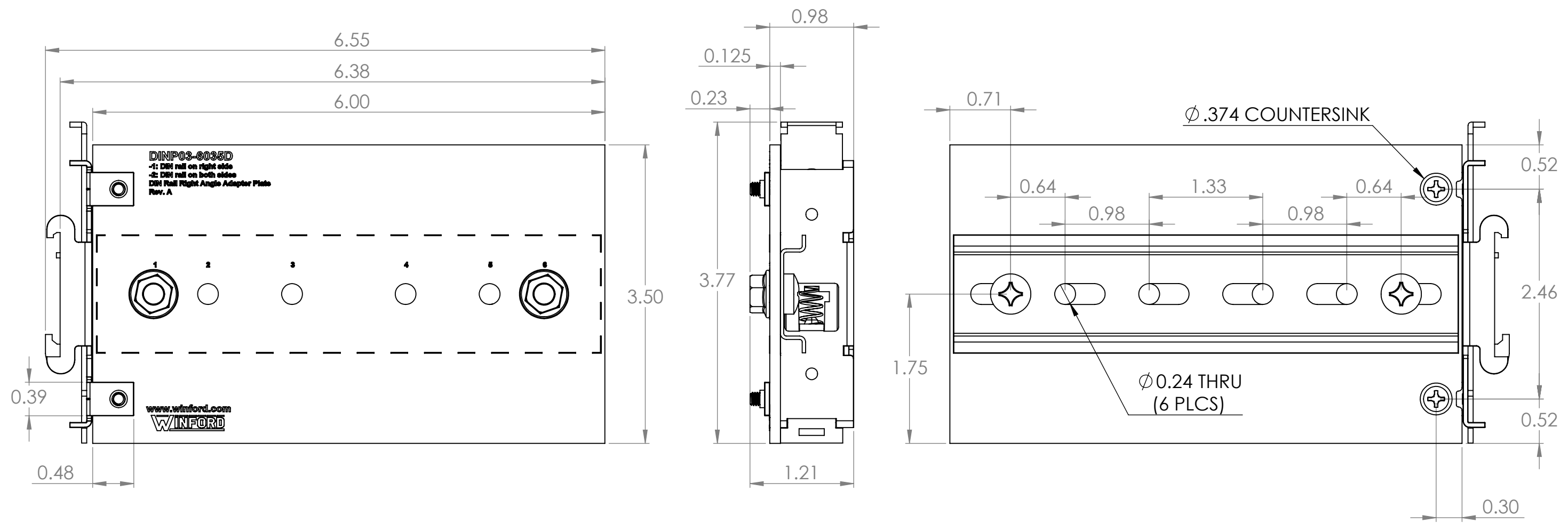


4

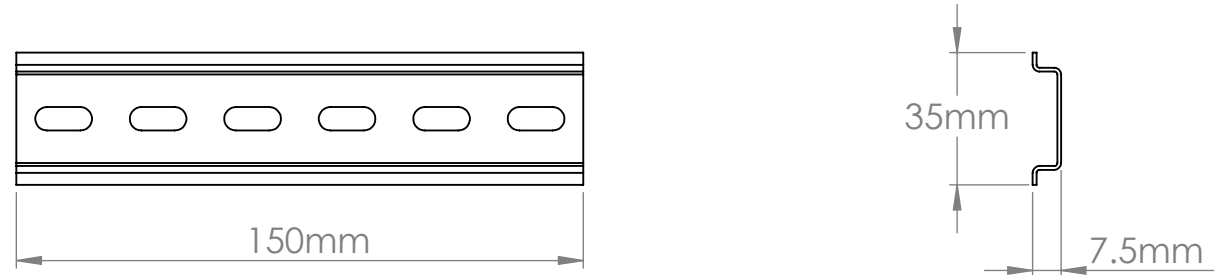
3


2

1



DIN RAIL DETAILS (PRE-INSTALLED)



DIM: INCH	DATE: 06/08/2021	RoHS COMPLIANT: Yes	DESCRIPTION:
 WINFORD ENGINEERING, LLC 4561 GARFIELD ROAD AUBURN, MI 48611			DIN Mounting Plate R/A with 1 Rail
www.winford.com		989-671-9721	PART NUMBER (S) DINP03-6035D-1
			PART REVISION A

4

3

2

1