

4

3

2

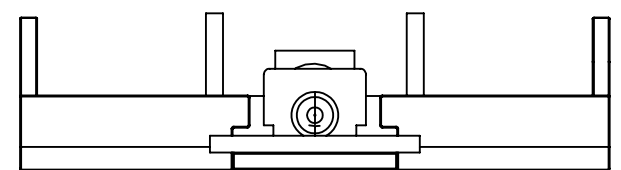
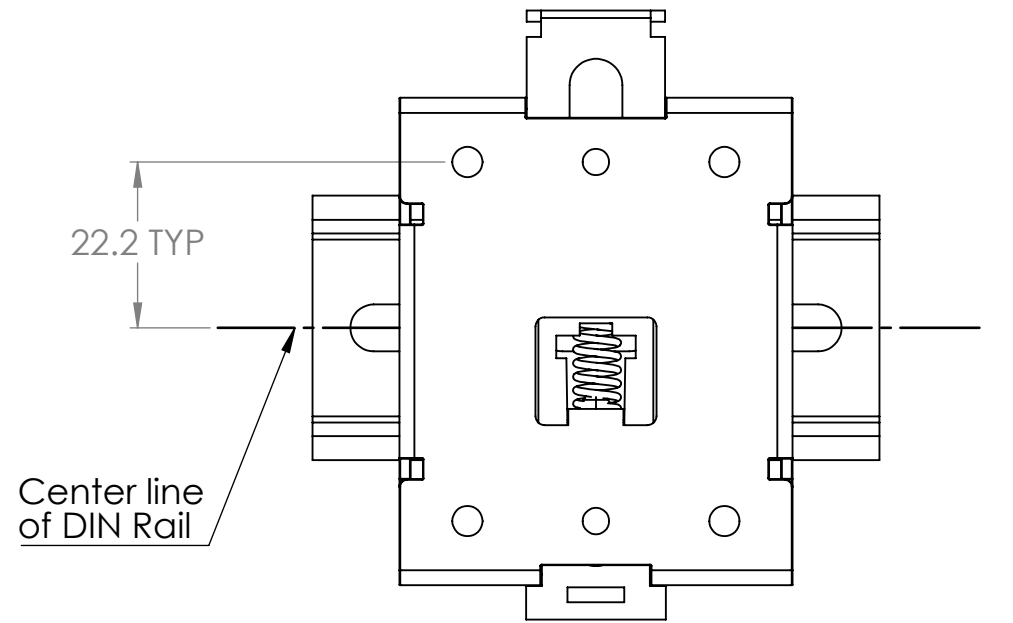
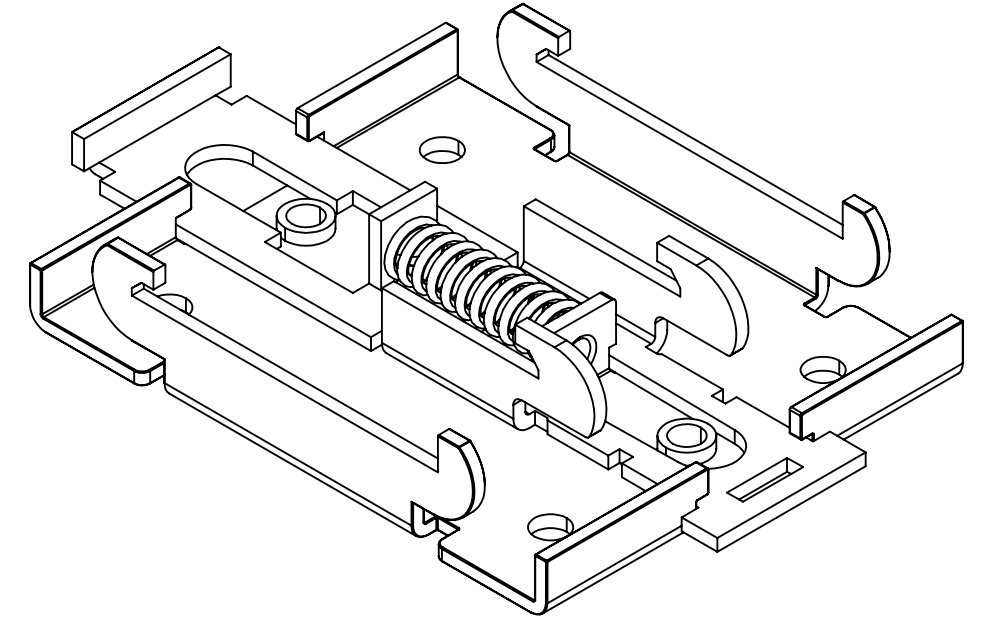
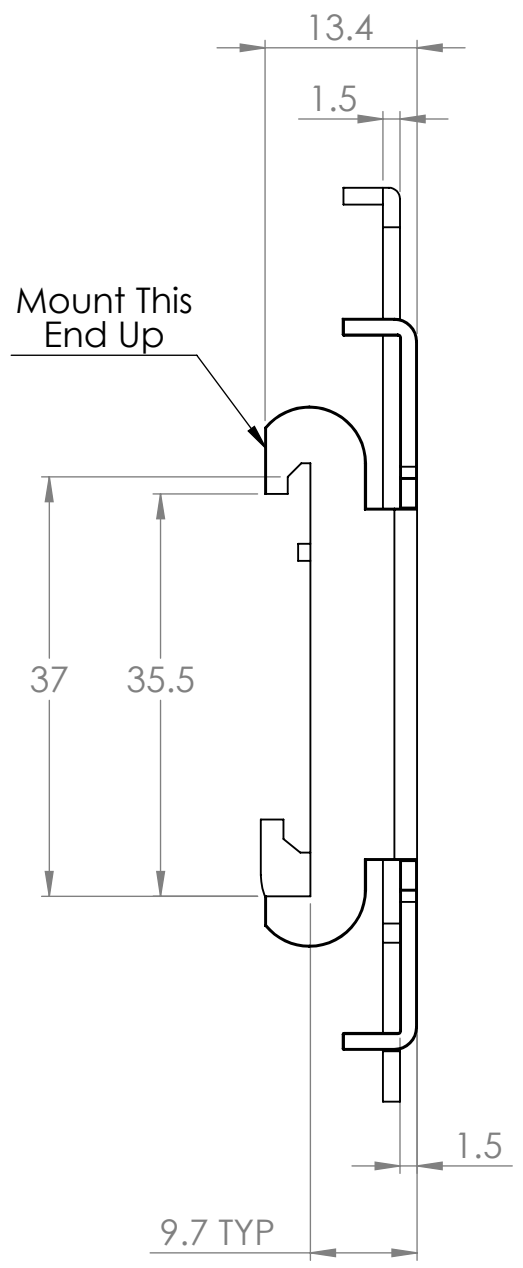
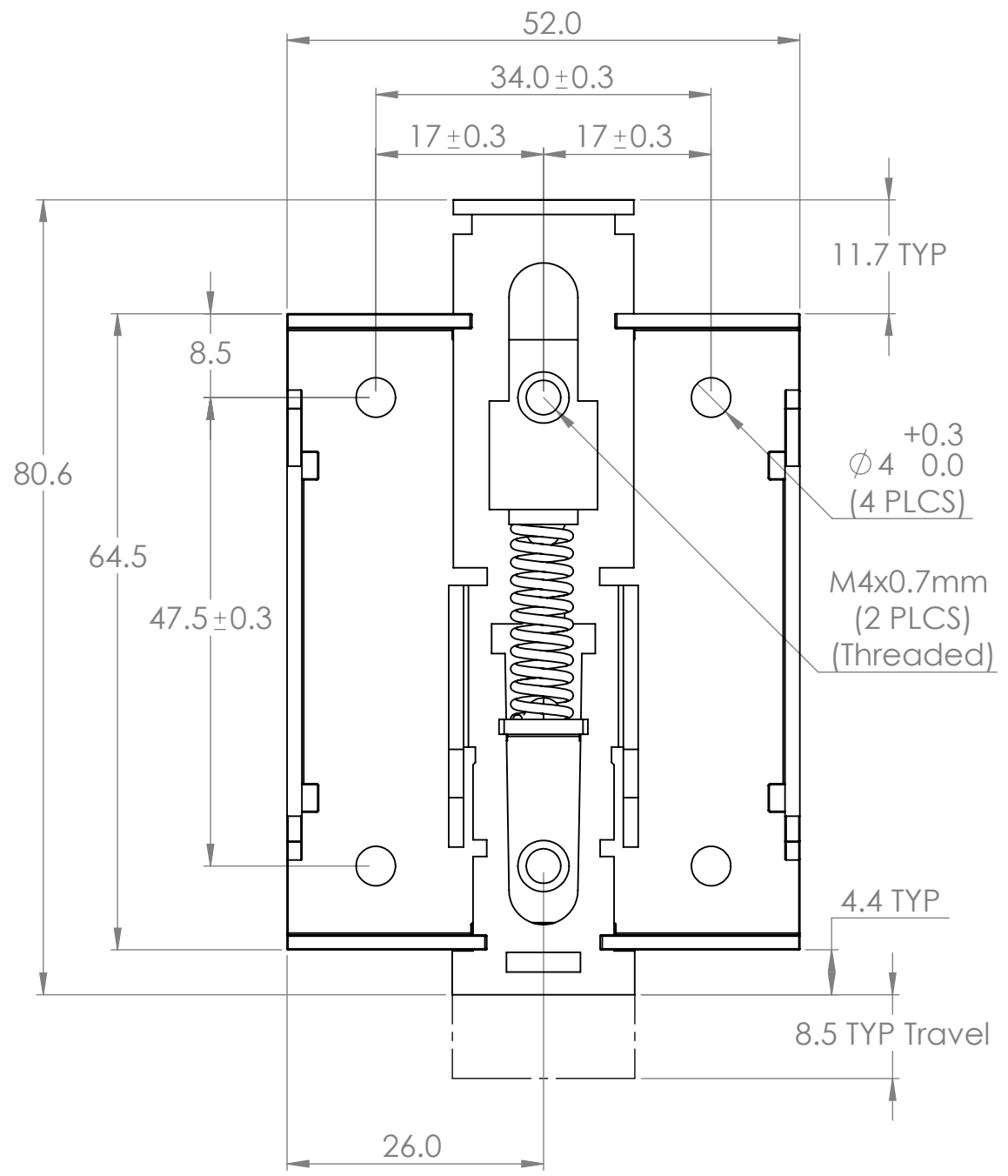
1

B


B

A

A



**Material: Steel, Nickel Plated**

DIM: MM	DATE: 10/07/2024	RoHS COMPLIANT: Yes	DESCRIPTION: Steel DIN Rail Mounting Clip, 52mm Width, Threaded and Unthreaded Holes	
		WINFORD ENGINEERING, LLC 4561 GARFIELD ROAD AUBURN, MI 48611	PART NUMBER (S) <b>DINM24</b>	PART REVISION <b>A</b>
www.winford.com		989-671-9721		

4

3

2

1