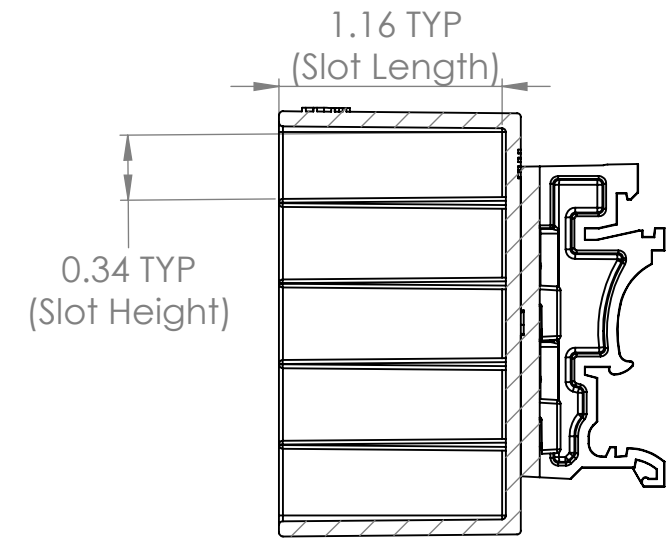
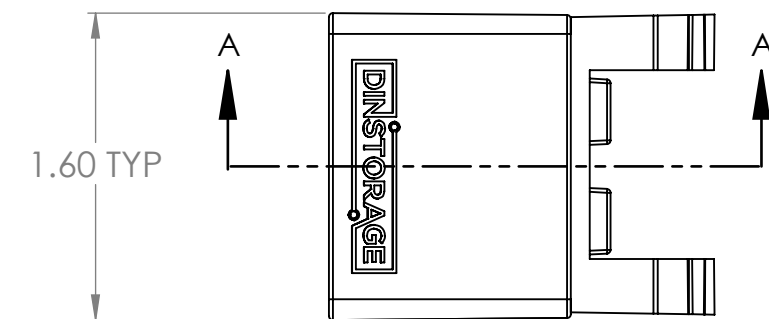
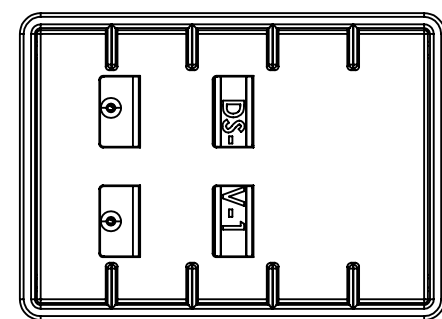


4

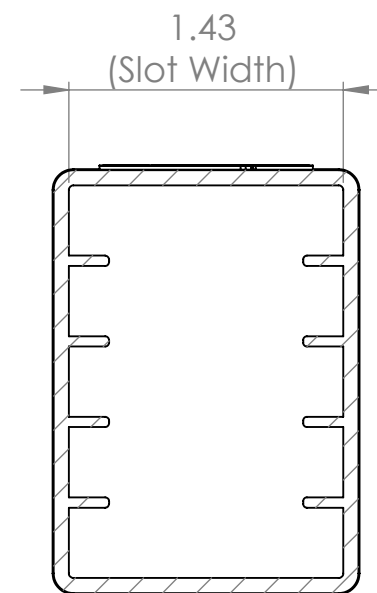
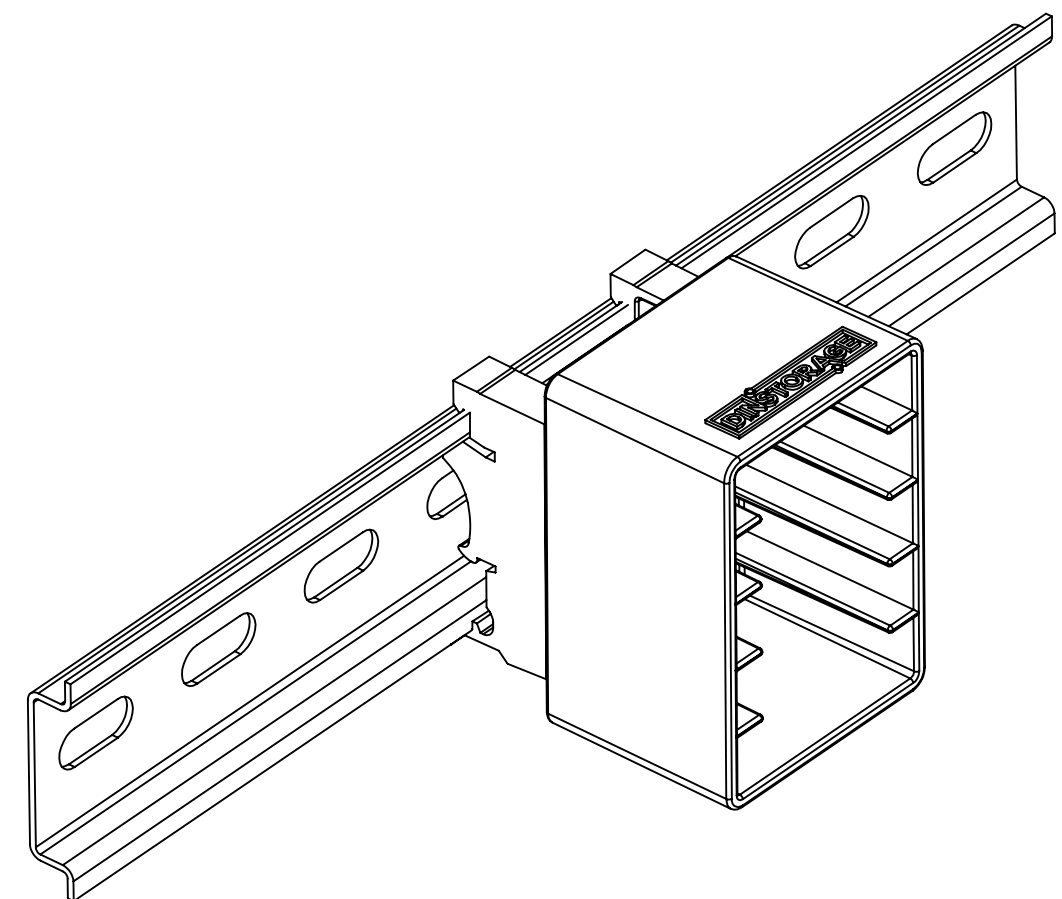
3

2

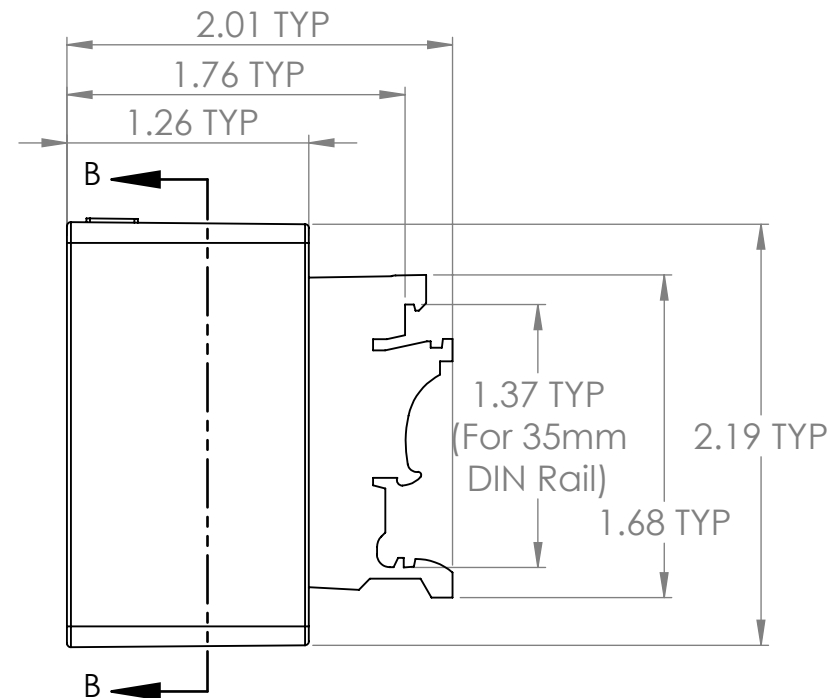
1




SECTION A-A



SECTION B-B



B

DIM: INCH	DATE: 06/17/2026	RoHS COMPLIANT: Unknown	DESCRIPTION: Fuse Pack Holder, 5 Slots, DIN Rail Mount Base
		WINFORD ENGINEERING, LLC 4561 GARFIELD ROAD AUBURN, MI 48611	PART NUMBER (S) <b>DINH-F01-05-A</b>
www.winford.com		989-671-9721	PART REVISION <b>A</b>

4

3

2

1

B

B

A

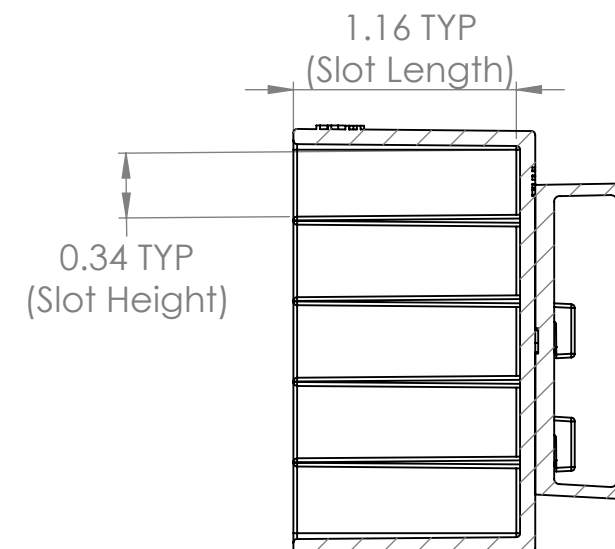
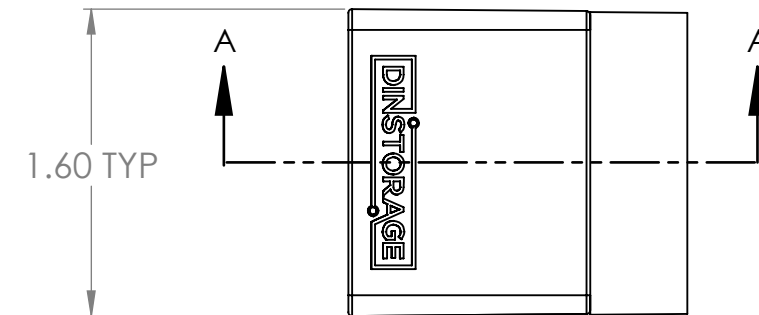
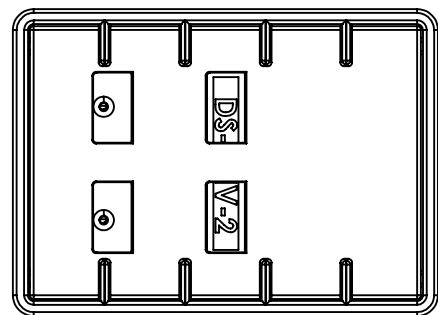
A

4

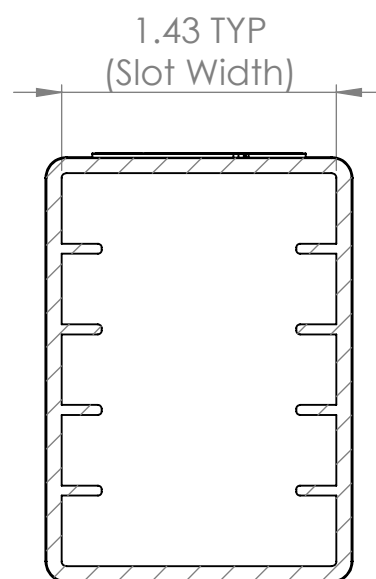
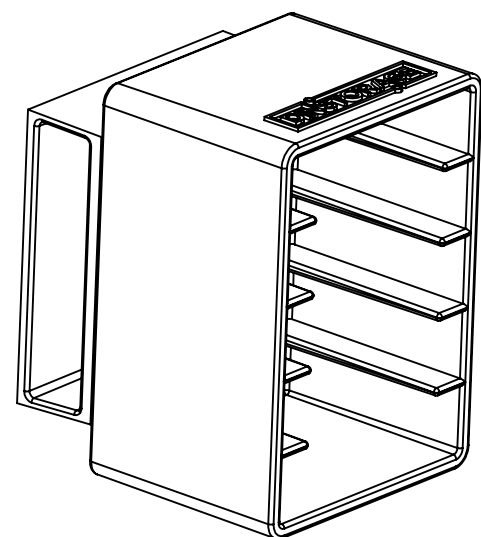
3

2

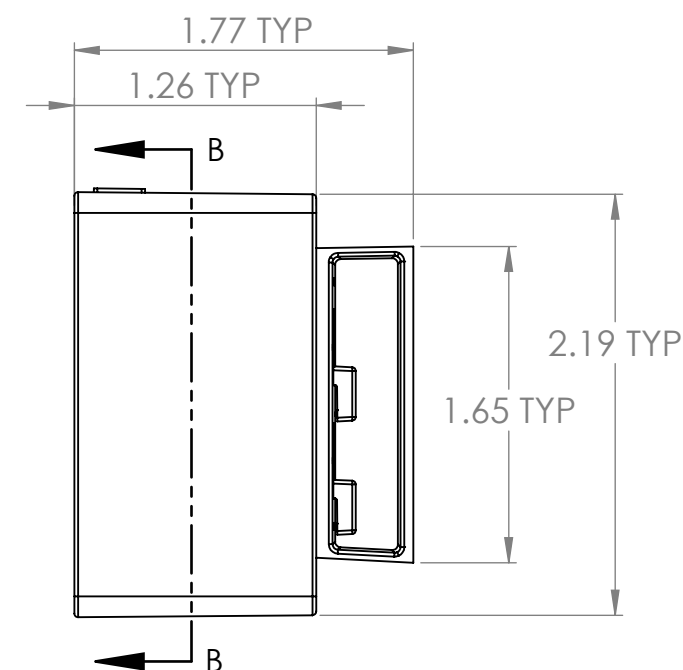
1




SECTION A-A



SECTION B-B



DIM: INCH	DATE: 06/17/2026	RoHS COMPLIANT: Unknown	DESCRIPTION: Fuse Pack Holder, 5 Slots, Flat Base -- with Adhesive
		WINFORD ENGINEERING, LLC 4561 GARFIELD ROAD AUBURN, MI 48611	PART NUMBER (S) <b>DINH-F01-05-A</b>
www.winford.com		989-671-9721	PART REVISION <b>A</b>

4

3

2

1

B

B

A

A