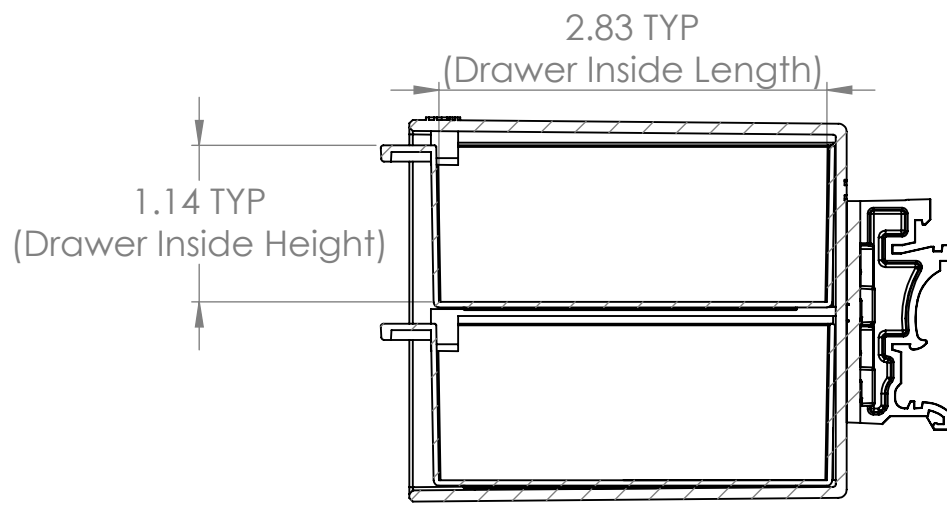
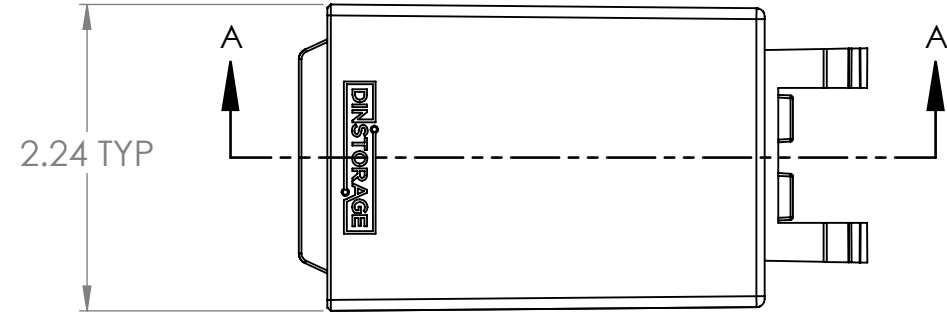
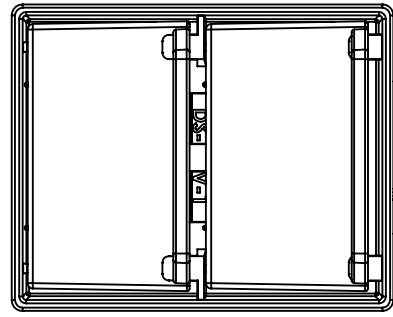


4

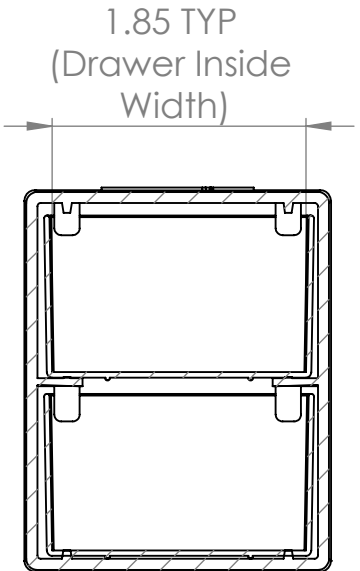
3

2

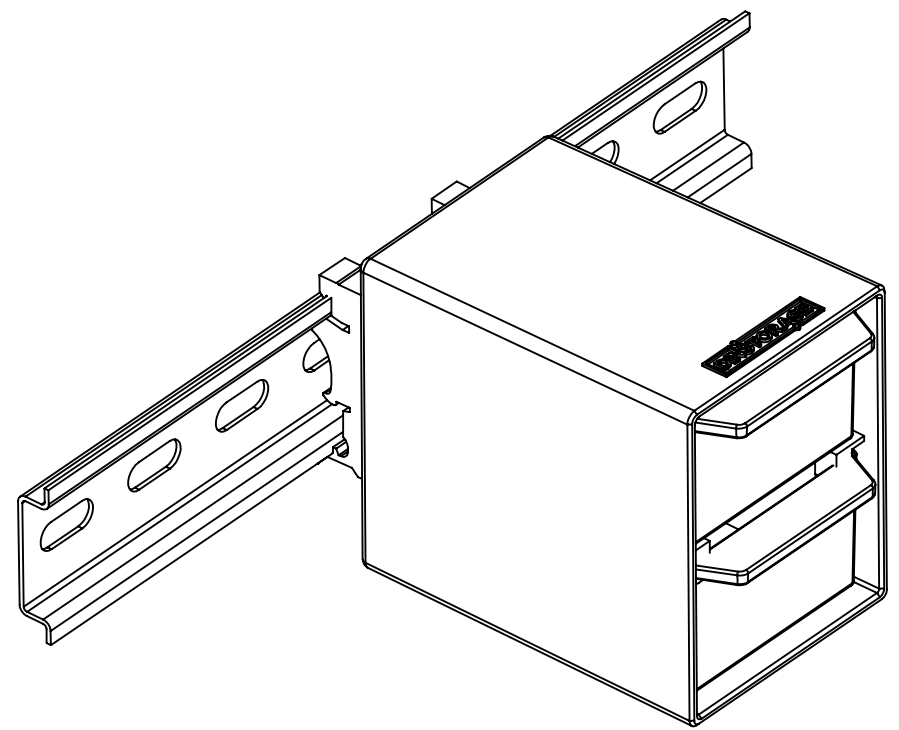
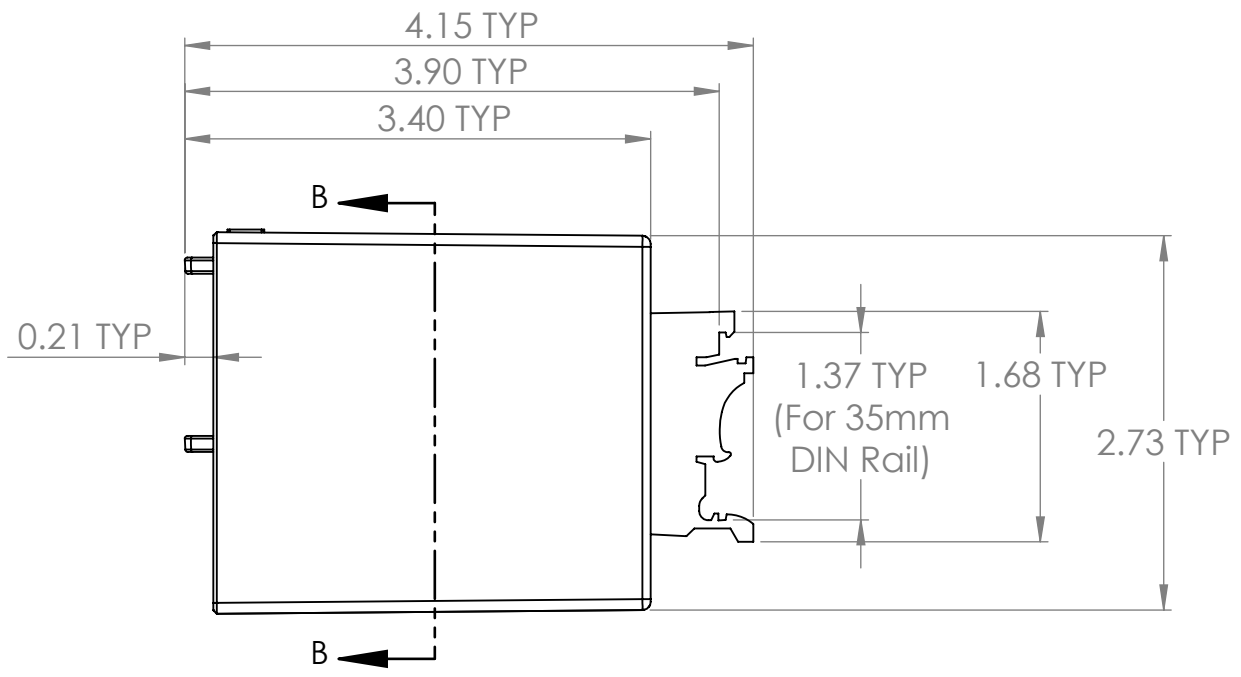
1




SECTION A-A



SECTION B-B



DIM: INCH	DATE: 06/17/2026	RoHS COMPLIANT: Unknown	DESCRIPTION: Drawer Storage Unit, Two Drawers, DIN Rail Mount
 WINFORD ENGINEERING, LLC 4561 GARFIELD ROAD AUBURN, MI 48611			PART NUMBER (S) DINH-D02-A
www.winford.com	989-671-9721		PART REVISION A

4

3

2

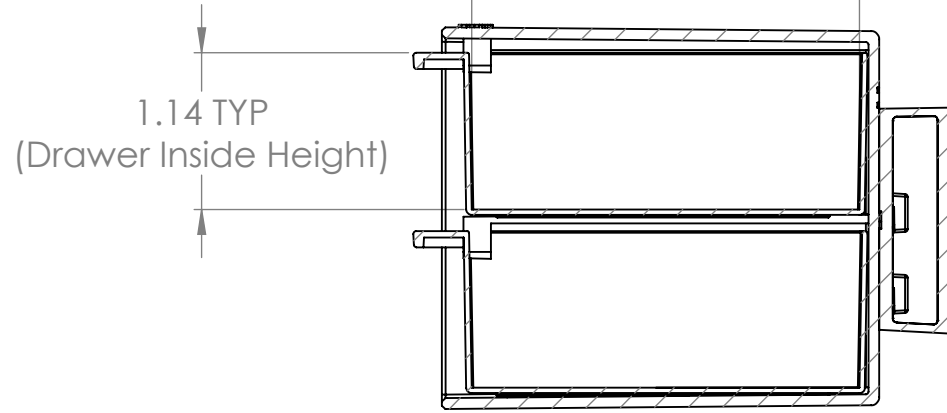
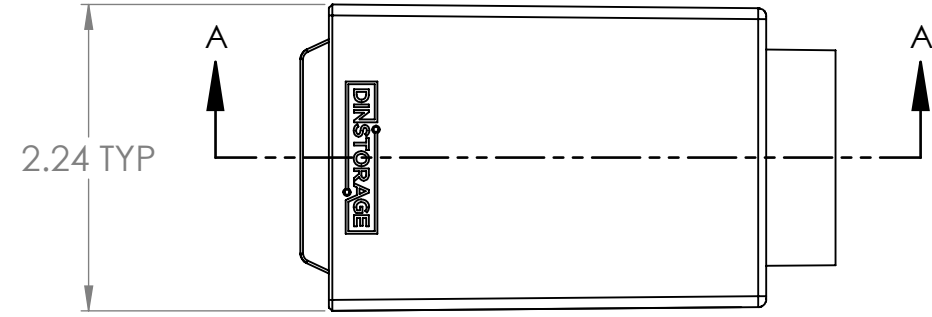
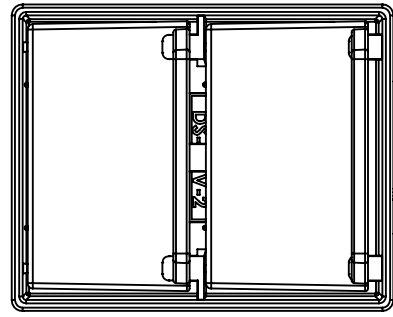
1

4

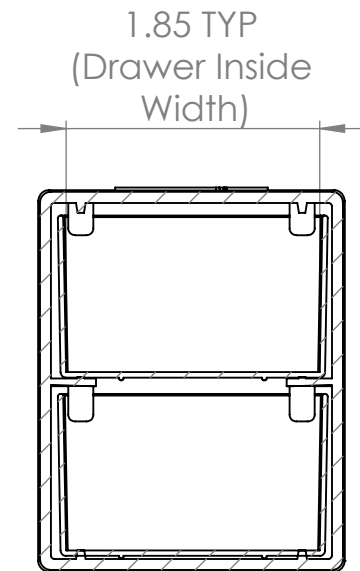
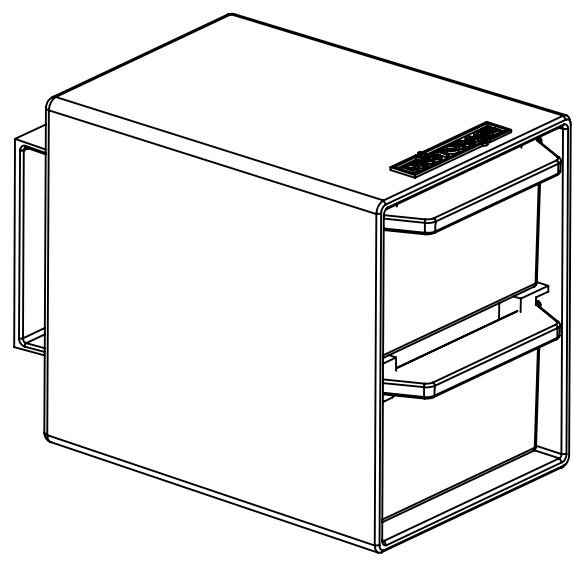
3

2

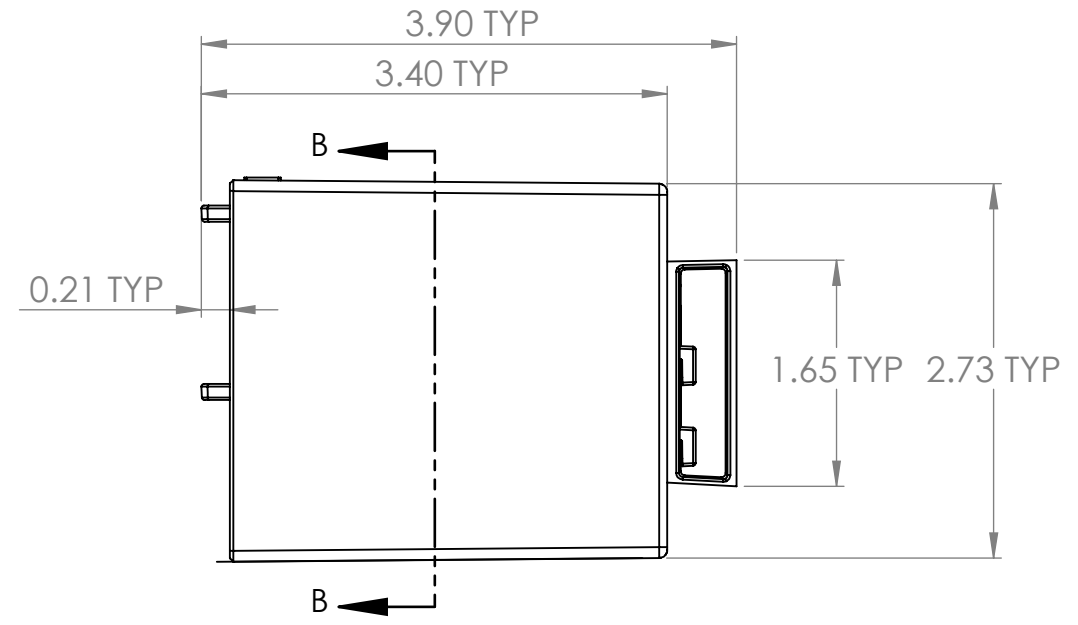
1



SECTION A-A



SECTION B-B



B

B

A


A

4

3

2

1

DIM: INCH	DATE: 06/17/2026	RoHS COMPLIANT: Unknown	DESCRIPTION:
			Drawer Storage Unit, Two Drawers, Flat Base -- with Adhesive
www.winford.com		WINFORD ENGINEERING, LLC 4561 GARFIELD ROAD AUBURN, MI 48611	PART NUMBER (S)
		989-671-9721	DINH-D02-A
			PART REVISION
			A