

4

3

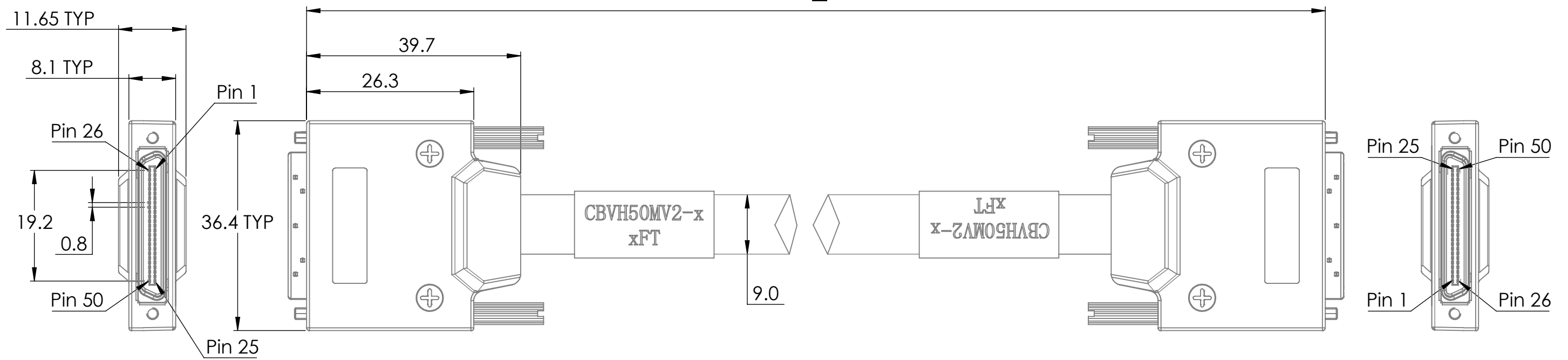
2

1

B

B

L




Note 1: "xx" in part number = Length, in Feet

Note 2: See product datasheet for color code and pairing

A

A

DIM: MM	DATE: 06/17/2024	RoHS COMPLIANT: Yes	DESCRIPTION: VHDCI Cable, 50-Pin Male-Male	
		WINFORD ENGINEERING, LLC 4561 GARFIELD ROAD AUBURN, MI 48611	PART NUMBER (S) CBVH50MV2-xx	PART REVISION A
www.winford.com		989-671-9721		

4

3

2

1