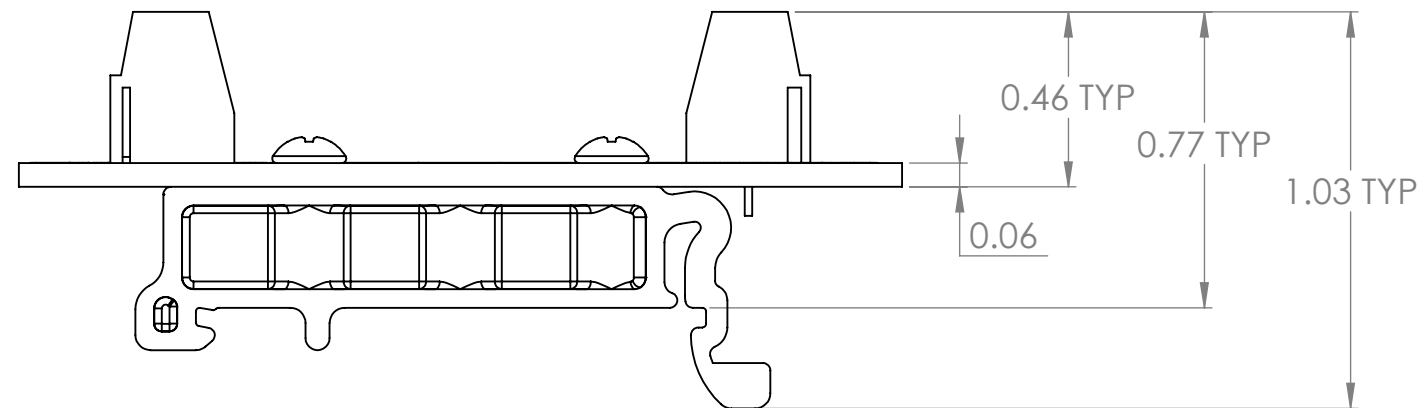
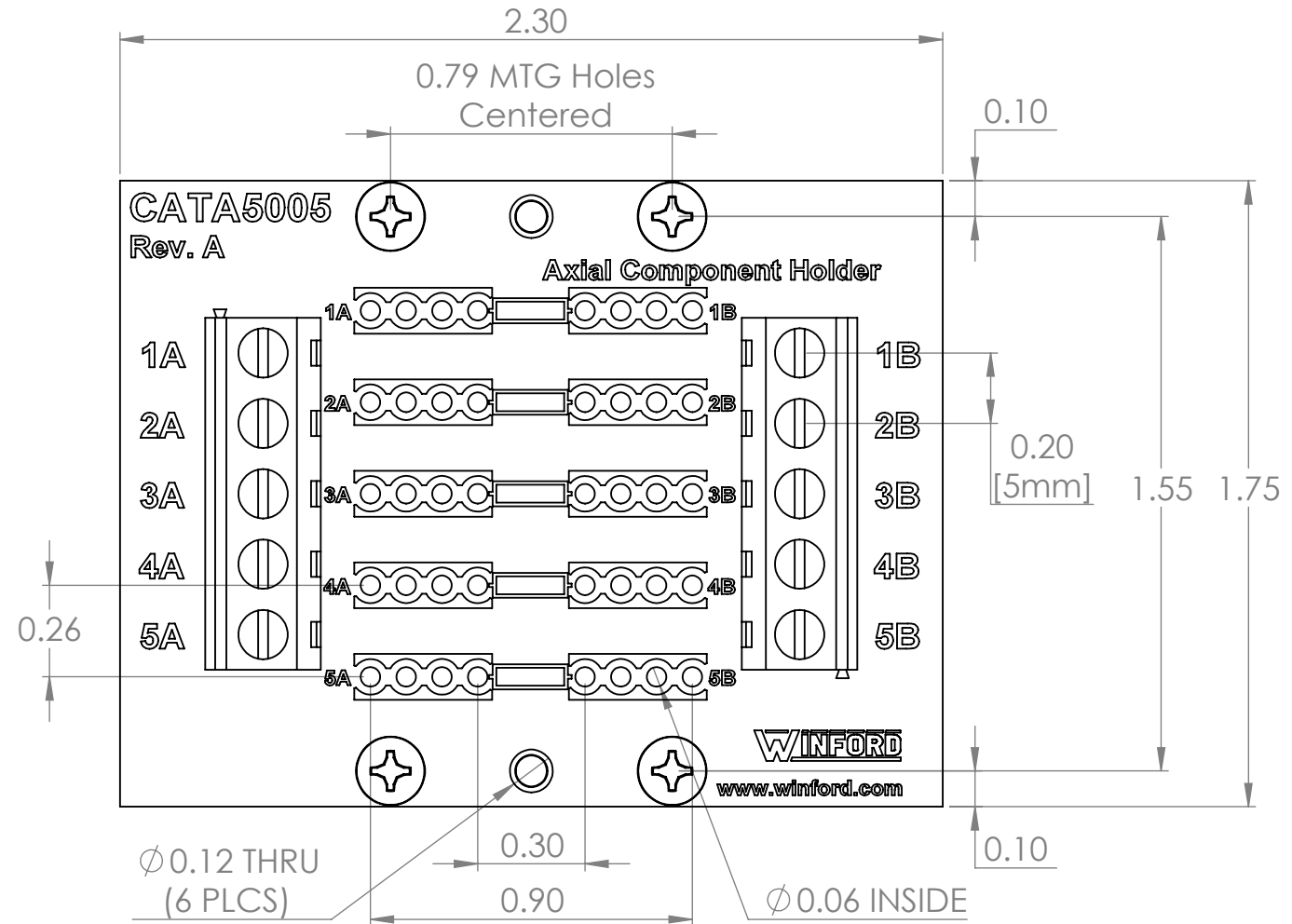
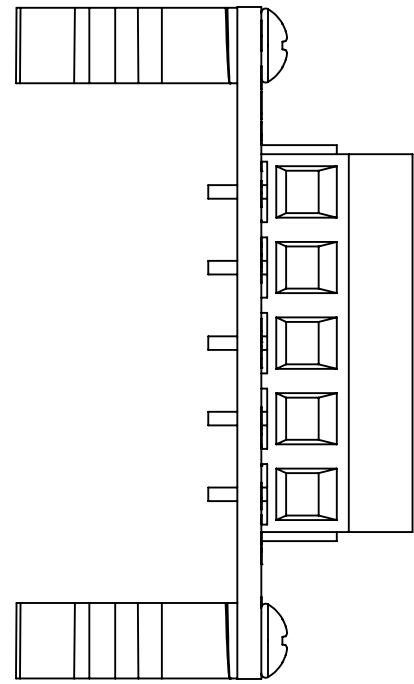



4

3

2

1



DIM: INCH	DATE: 06/07/2024	RoHS COMPLIANT: Yes	DESCRIPTION: Component Holder Board, 5-position	
		WINFORD ENGINEERING, LLC 4561 GARFIELD ROAD AUBURN, MI 48611	PART NUMBER (S) CATA5005-DIN	PART REVISION A
www.winford.com		989-671-9721		

4

3

2

1

B

B

A

A